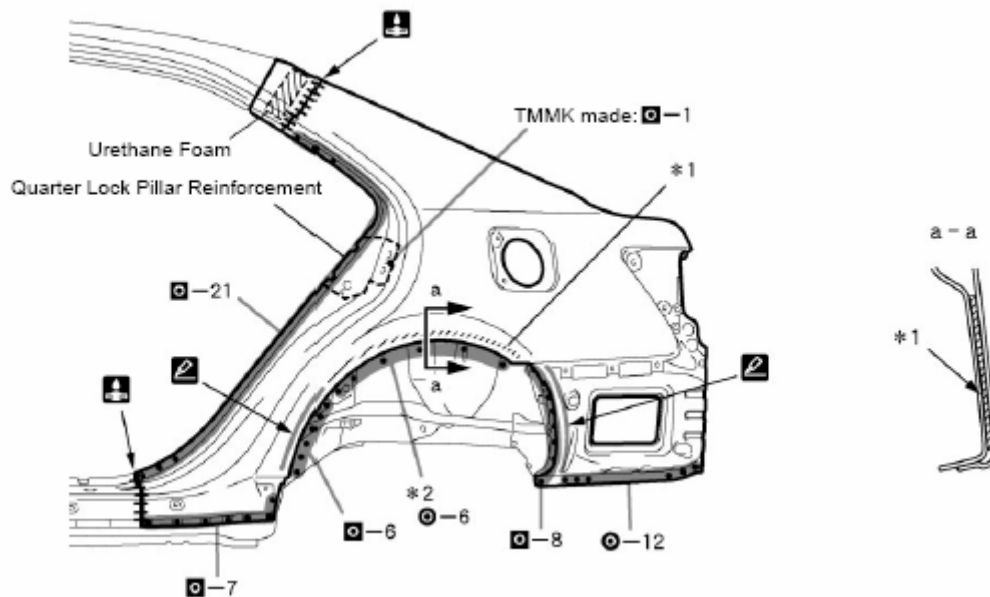


COLLISION REPAIR INFORMATION

FOR THE COLLISION REPAIR PROFESSIONAL

TITLE: PANEL ADHESIVE
SECTION: EXTERIOR BULLETIN #158
MODELS: ALL TOYOTA, LEXUS, and SCION
DATE: OCTOBER 2007

The application or use of panel adhesive is limited to the approved procedures published in Toyota, Lexus, and Scion model-specific Collision Damage Repair Manuals. The following illustration is an example of specifications that include the use of adhesive. Please review collision repair manuals (www.techinfo.toyota.com) for complete instructions and symbol translations.



INSTALLATION POINT

- Apply adhesive (3M™ Automix™ Panel Bonding adhesive #8115) to the area indicated by *1.
- Perform spot-welding on the flange indicated by *2.

Note: Panel-bonding and weld-bonding are not approved procedures.

Definitions:

- Panel-bonding is a substitution of any specified welds with adhesive material.
- Weld-bonding is squeeze-type resistant spot-welding through adhesive.

**PLEASE ROUTE THIS BULLETIN TO YOUR COLLISION REPAIR CENTER
MANAGER AND COLLISION REPAIR TECHNICIANS**

