

COLLISION REPAIR INFORMATION

FOR THE TOYOTA DEALER

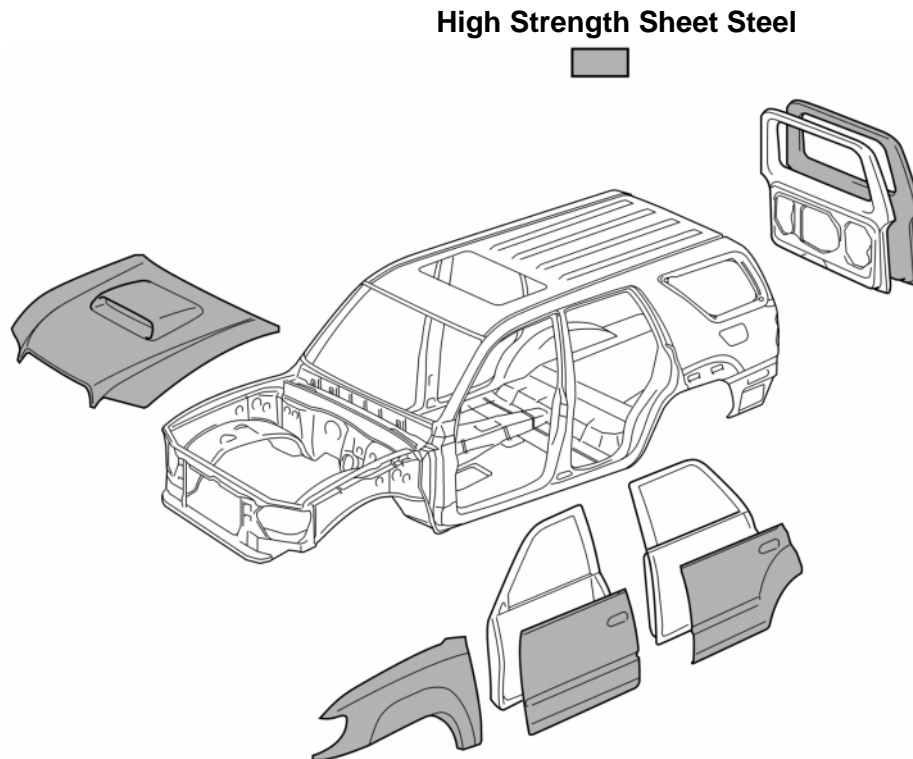
TITLE: HIGH STRENGTH STEEL (HSS) LOCATIONS PAGE 1

SECTION: EXTERIOR BULLETIN #130

MODELS: 2003 TOYOTA 4RUNNER

DATE: MAY 2003

The body of the '03 4Runner has been made lightweight and highly rigid through the refinement of the shape and construction of each part, optimized allocation of reinforcements and members, and use of High Strength Steel (HSS). The following illustration identifies outer body panels constructed from HSS. Refer to Collision Repair Information Bulletin (CRIB) #89 for precautions to observe when working with HSS, and always follow vehicle specific procedures in Manuals for Collision Damage when replacing welded panels.



**PLEASE ROUTE THIS BULLETIN TO YOUR COLLISION REPAIR CENTER MAN-
AGER AND COLLISION REPAIR TECHNICIANS**