

COLLISION REPAIR INFORMATION

FOR THE TOYOTA DEALER

TITLE: SRS AIRBAG COMPONENT REPLACEMENT & DISPOSAL PROCEDURES

SECTION: ELECTRICAL

BULLETIN # 99

PAGE 1 of 7

MODELS: TOYOTA

DATE: APRIL 2000



The SRS Airbag system is an important safety feature of Toyota vehicles. It supplements the vehicle's seat belt system by providing additional protection to vehicle occupants in the event of a severe frontal or side collision (if equipped with side airbags).

In order to assure correct system operation, it is necessary to replace certain components of the airbag system following a collision. In order to assist technicians in determining which components should be inspected, tested, or replaced, the repair manual information has been organized in the attached matrix and replacement notes.

Even in cases of a minor collision where the SRS does not deploy, the steering wheel pad, front passenger airbag assembly, side airbag assembly, airbag sensor assembly, and side airbag sensor assembly should be inspected and diagnostic tests should be performed. Always refer to the Toyota service repair manual for the correct diagnostic and repair procedures.

The attached SRS airbag component replacement information includes:

- ☞ A matrix indicating components requiring replacement, inspection, or testing after the deployment of the driver and/or passenger SRS airbag (page 2).
- ☞ Component replacement notes (page 3).
- ☞ A sample repair manual page outlining airbag deployment procedures when scrapping a vehicle (page 4-6). Please refer to the specific vehicle repair manual for procedures to deploy an airbag that has been removed from the vehicle.
- ☞ A sample repair manual page outlining passenger airbag manual on-off switch inspection procedures (page 7).

CAUTION: SRS Airbag service work can only be performed AFTER 90 seconds from the time the ignition switch is turned to the "lock" position and the negative (-) terminal cable is disconnected from the battery.

**PLEASE ROUTE THIS BULLETIN TO YOUR COLLISION REPAIR CENTER MANAGER
AND COLLISION REPAIR TECHNICIANS**

2000 Toyota SRS Parts Replacement Requirements* Collision Repair Chart

2000 MODELS:	AVALON	CAMRY	CELICA	COROLLA	ECHO	SIENNA	SOLARA	LAND CRUISER	RAV4 & RAV4 EV	TACOMA	4RUNNER	TUNDRA*	MR2 SPYDER*
STEERING WHEEL PAD	REPLACE (1)	REPLACE (1)	REPLACE (1)	REPLACE (1)	REPLACE (1)	REPLACE (1)	REPLACE (1)	REPLACE (1)	REPLACE (1)	REPLACE (1)	REPLACE (1)	REPLACE (1)	REPLACE (1)
SPIRAL CABLE	INSPECT (2)	INSPECT (2)	INSPECT (2)	INSPECT (2)	INSPECT (2)	INSPECT (2)	INSPECT (2)	INSPECT (2)	INSPECT (2)	INSPECT (2)	INSPECT (2)	INSPECT (2)	INSPECT (2)
STEERINGWHEEL	INSPECT (3)	INSPECT (3)	INSPECT (3)	INSPECT (3)	INSPECT (3)	INSPECT (3)	INSPECT (3)	INSPECT (3)	INSPECT (3)	INSPECT (3)	INSPECT (3)	INSPECT (3)	INSPECT (3)
PASSENGER AIRBAG	REPLACE (4)	REPLACE (4)	REPLACE (4)	REPLACE (4)	REPLACE (4)	REPLACE (4)	REPLACE (4)	REPLACE (4)	REPLACE (4)	REPLACE (4)	REPLACE (4)	REPLACE (4)	REPLACE (4)
INSTRUMENT PANEL	INSPECT (5)	INSPECT (5)	INSPECT (5)	INSPECT (5)	INSPECT (5)	INSPECT (5)	INSPECT (5)	INSPECT (5)	INSPECT (5)	INSPECT (5)	INSPECT (5)	INSPECT (5)	INSPECT (5)
FRONT IMPACT SENSORS (BOTH)	REPLACE (6)	REPLACE (6)	REPLACE (6)	REPLACE (6)	REPLACE (6)	REPLACE (6)	REPLACE (6)	REPLACE (6)	REPLACE (6)	REPLACE (6)	REPLACE (6)	REPLACE (6)	REPLACE (6)
AIRBAG SENSOR ASSEMBLY	REPLACE (7)	REPLACE (7)	REPLACE (7)	REPLACE (7)	REPLACE (7)	REPLACE (7)	REPLACE (7)	REPLACE (7)	REPLACE (7)	REPLACE (7)	REPLACE (7)	REPLACE (7)	REPLACE (7)
WIRE HARNESS	INSPECT (8)	INSPECT (8)	INSPECT (8)	INSPECT (8)	INSPECT (8)	INSPECT (8)	INSPECT (8)	INSPECT (8)	INSPECT (8)	INSPECT (8)	INSPECT (8)	INSPECT (8)	INSPECT (8)
SIDE IMPACT AIRBAGS	SEE NOTE (9)	SEE NOTE (9)	SEE NOTE (9)	SEE NOTE (9)	N/A	N/A	SEE NOTE (9)	N/A	N/A	N/A	N/A	N/A	N/A
SIDE IMPACT SENSORS	SEE NOTE (10)	SEE NOTE (10)	SEE NOTE (10)	SEE NOTE (10)	N/A	N/A	SEE NOTE (10)	N/A	N/A	N/A	N/A	N/A	N/A
SEATBELT PRETENSIONERS	REPLACE (11)	REPLACE (11)	REPLACE (11)	REPLACE (11)	REPLACE (11)	REPLACE (11)	REPLACE (11)	REPLACE (11)	REPLACE (11)	REPLACE (11)	REPLACE (11)	REPLACE (11)	REPLACE (11)

*The notes above refer to the Component Replacement Notes on page 3.

*Some Toyota vehicles are equipped with a **Passenger Airbag Manual On-Off Switch**, and other Toyota models may have a retrofit passenger airbag switch installed at the dealership. To analyze the condition of the manual on-off switch, technicians must follow specific inspection procedures which are outlined on page 7 of this bulletin. However, complete airbag manual on-off switch inspection and repair procedures can be found in vehicle-specific Toyota Repair Manuals.

Note - for all Toyota vehicles

Following all collisions when the SRS does NOT deploy inspect:

- | | |
|--|---|
| <ul style="list-style-type: none"> <input type="checkbox"/> Steering wheel pad <input type="checkbox"/> Side airbags and seat frames <input type="checkbox"/> Front & side airbag sensors | <ul style="list-style-type: none"> <input type="checkbox"/> Wiring harness and connectors <input type="checkbox"/> Front passenger airbag assembly <input type="checkbox"/> Malfunction indicator lamp for correct operation |
|--|---|

Component Replacement Notes

Note 1 ☒ Replace the **Steering Wheel Pad**:

- If the airbag has been deployed or dropped
- If the steering wheel pad is diagnosed as needing replacement when troubleshooting or during inspection

Note 2 ☒ Inspect and if necessary replace the **Spiral Cable**:

- If the spiral cable is diagnosed as needing replacement when troubleshooting or during inspection

Note 3 ☒ Inspect and if necessary replace the **Steering Wheel**:

- If the steering wheel is diagnosed as needing replacement during inspection

Note 4 ☒ Replace the **Passenger Airbag** assembly:

- If the passenger airbag has been deployed or dropped
- If the airbag is diagnosed as needing replacement when troubleshooting or during inspection

Note 5 ☒ Visually inspect and if necessary replace the following items if deformed:

- Instrument panel and instrument panel reinforcement
- Glove compartment or glove compartment door

Note 6 ☒ Replace the **Front Impact Sensors**:

- If either the driver or passenger airbag has deployed (**replace both front impact sensors**)
- If a front airbag sensor is diagnosed as needing replacement when troubleshooting or during inspection

Note 7 ☒ Replace the **Airbag Sensor Assembly**:

- If any airbag has been deployed in a collision, or the airbag sensor assembly has been dropped, or is diagnosed as needing replacement when troubleshooting

Note 8 ☒ Inspect and if necessary replace the **Wire Harness** assembly:

- If any part of the SRS wire harness or any connector is diagnosed as needing replacement when troubleshooting or during inspection

Note 9 ☒ Replace the:

- **Side Impact Airbag** if it has been deployed, dropped, or is diagnosed as needing replacement when troubleshooting or during inspection
- **Seat cover** if it has cuts and/or frayed seams, or is diagnosed as needing replacement during inspection
- **Seat frame** if it is bent or has become damaged

Note 10 ☒ Replace the **Side Impact Sensors**:

- If the side airbag assembly has been deployed, dropped, or is diagnosed as needing replacement when troubleshooting or during inspection

Note 11 ☒ In the event of driver or passenger airbag deployment, replace all seatbelt **Pretensioners**.

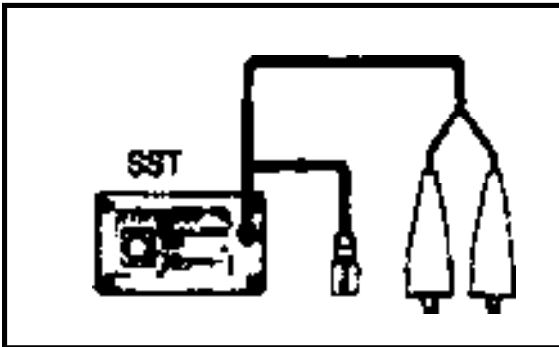
DISPOSAL

HINT:

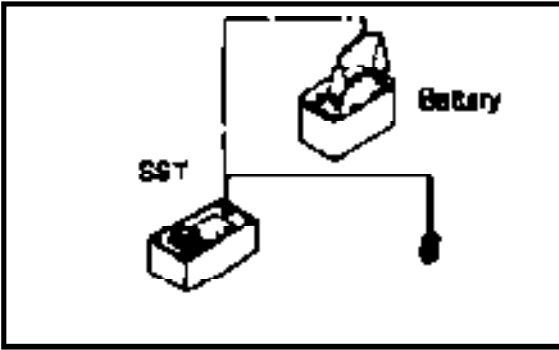
When scrapping vehicle equipped with an SRS or disposing of a steering wheel pad (with airbag), always first deploy the airbag in accordance with the procedure described below. If any abnormality occurs with the airbag deployment, contact the SERVICE DEPT. of TOYOTA MOTOR SALES, U.S.A. INC. When disposing of a steering wheel pad with an airbag deployed in a collision, follow the same procedure given in step 1-(d) in [DISPOSAL](#).

CAUTION:

- Never dispose of a steering wheel pad which has an undeployed airbag.
- The airbag produces a sizeable exploding sound when it deploys, so perform the operation out of doors and where it will not create a nuisance to nearby residents.



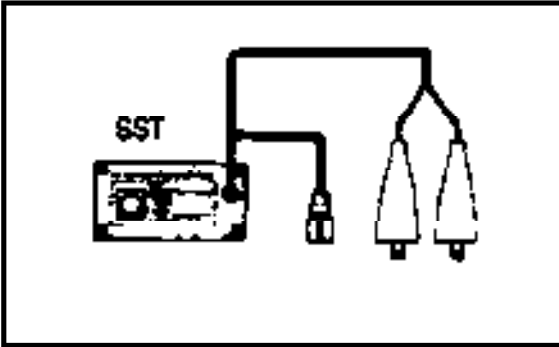
- When deploying the airbag, always use the specified SST (SRS Airbag Deployment Tool). Perform the operation in a place away from electrical noise.
- SST 09082-00700**
- When deploying an airbag, perform the operation at least 10m (33ft) away from the steering wheel pad.
 - The steering wheel pad is very hot when the airbag is deployed, so leave it alone for at least 30 minutes after deployment.
 - Use gloves and safety glasses when handling a steering wheel pad with the deployed airbag.
 - Always wash your hands with water after completing the operation.
 - Do not apply water, etc. to a steering wheel pad with the deployed airbag.



1. AIRBAG DEPLOYMENT WHEN SCRAPPING VEHICLE

HINT:

Have a battery ready as the power source to deploy the airbag.

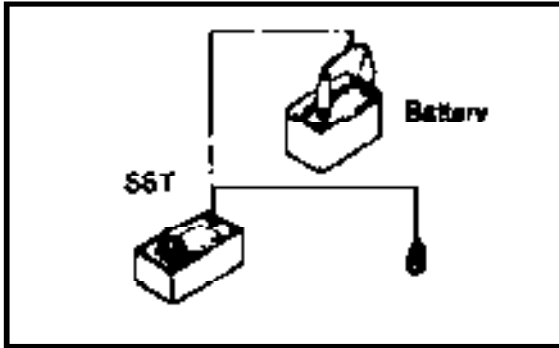


(a) Check the functioning of the SST.

CAUTION:

When deploying the airbag, always use the specified SST:
SRS Airbag Deployment Tool.

SST 09082-00700

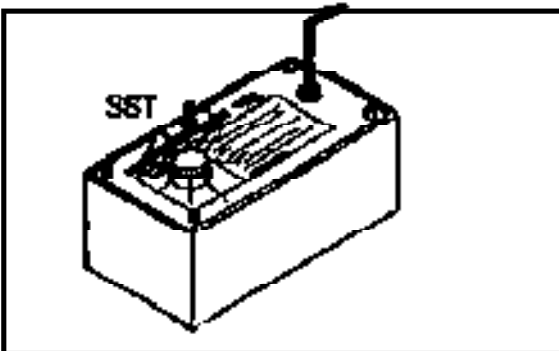


(1) Connect the SST to the battery.

Connect the red clip of the SST to the battery positive (+) terminal and the black clip to the battery negative (-) terminal.

HINT:

Do not connect the yellow connector which will be connected with the supplemental restraint system.

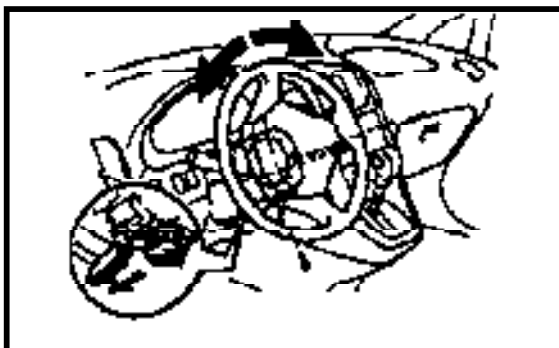


(2) Check the functioning of the SST.

Press the SST activation switch, and check that the LED of the SST activation switch lights up.

CAUTION:

If the LED lights up when the activation switch is not being pressed, SST malfunction is probable, so definitely do not use the SST.



(b) Install the SST.

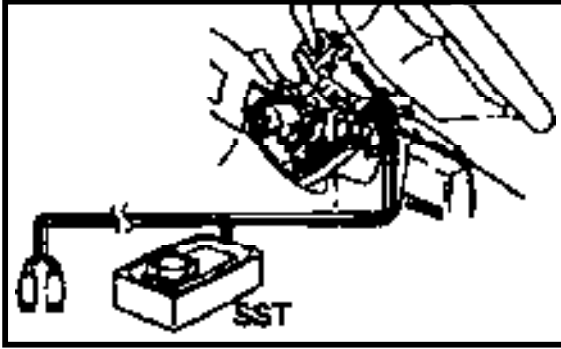
CAUTION:

Check that there is no looseness in the steering wheel and steering wheel pad.

(1) Remove the steering column lower cover.

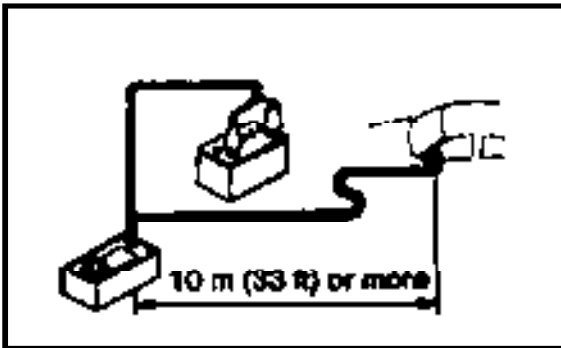
(2) Disconnect the airbag connector of the spiral cable.

SUPPLEMENTAL RESTRAINT SYSTEM - STEERING WHEEL PAD AND SPIRAL CABLE



- (3) Connect the SST connector to the airbag connector of the spiral cable.

SST 09082-00700

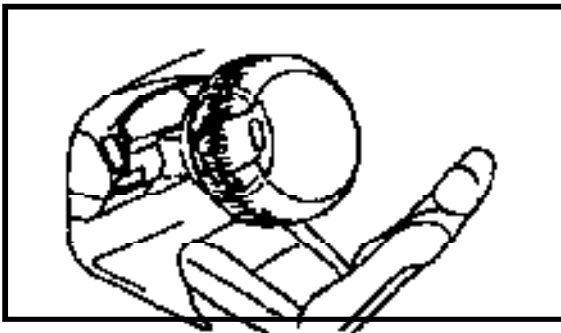


- (4) Move the SST at least 10m (33ft) away from the front of the vehicle.
 (5) Close all the doors and windows of the vehicle.

NOTICE:

Take care not to damage the SST wire harness.

- (6) Connect the SST red clip to the battery positive (+) terminal and the black clip to the negative (-) terminal.



- (c) Deploy the airbag.
 (1) Confirm that no one is inside the vehicle or within 10m (33ft) area around the vehicle.
 (2) Press the SST activation switch and deploy the airbag.

HINT:

The airbag deploys simultaneously as the LED of the SST activation switch lights up.

- (d) Dispose of the steering wheel pad (with airbag).

CAUTION:

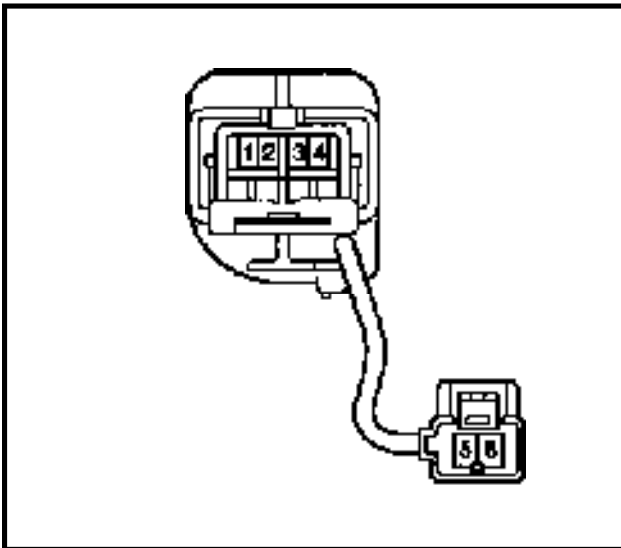
- The steering wheel pad is very hot when the airbag is deployed, so leave it alone for at least 30 minutes after deployment.
 - Use gloves and safety glasses when handling a steering wheel pad with the deployed airbag.
 - Always wash your hands with water after completing the operation.
 - Do not apply water, etc. to a steering wheel pad with the deployed airbag.
- (1) When scrapping a vehicle, deploy the airbag and scrap the vehicle with the steering wheel pad still installed.
 (2) When moving a vehicle for scrapping which has a steering wheel pad with deployed airbag, use gloves and safety glasses.

PASSENGER AIRBAG MANUAL ON-OFF SWITCH INSPECTION

1. INSPECT PASSENGER AIRBAG MANUAL ON-OFF SWITCH CONTINUITY

HINT:

Release the activation prevention mechanism of the passenger airbag manual on-off switch connector on the airbag sensor assembly side. (See page DI-456)



SWITCH POSITION	TESTER CONNECTION	SPECIFIED CONDITION
ON	1-3 2-4	CONTINUITY
	3-4 5-6	NO CONTINUITY
OFF	5-6	CONTINUITY
	2-4	NO CONTINUITY
	3-4	RESISTANCE 2.1-2.7 OHMS

If continuity is not as specified, replace the switch.

2. INSPECT PASSENGER AIRBAG MANUAL ON-OFF INDICATOR OPERATION

- (a) Check that continuity exists between 5 and 6.
- (b) Connect the positive (+) lead from the battery to terminal 1 and negative (-) lead to terminal 2.
- (c) Check that the indicator light lights up.

If the operation is not as specified, replace the indicator.

