

COLLISION REPAIR INFORMATION

FOR THE TOYOTA DEALER

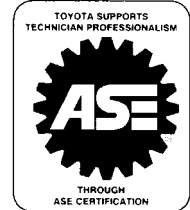
TITLE: QUARTER PANEL SECTIONING
(CUT-P) PROCEDURE

PAGE 1 of 2

SECTION: EXTERIOR BULLETIN #85

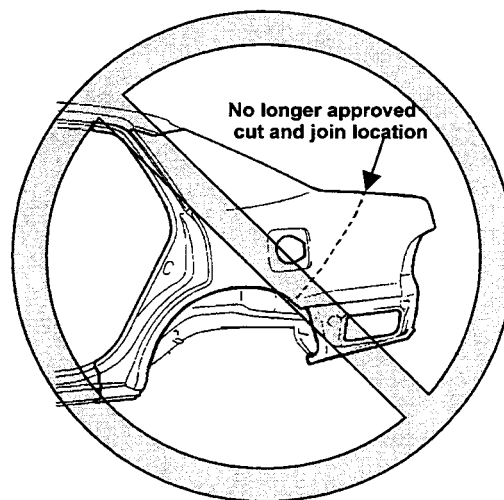
MODELS: ALL TOYOTA /LEXUS

DATE: SEPTEMBER 1998



Toyota actively promotes quality repairs by providing Collision Repair Centers with updates and changes in collision repair procedures, standards and technology.

The Quarter Panel Sectioning (CUT-P) procedure, as shown in Toyota and Lexus Body Collision Damage Repair Manuals, and sometimes referred to as “vertical cut” is **no longer an approved** repair procedure (when replacing a damaged quarter panel) of any Toyota or Lexus vehicle. (see illustration below)



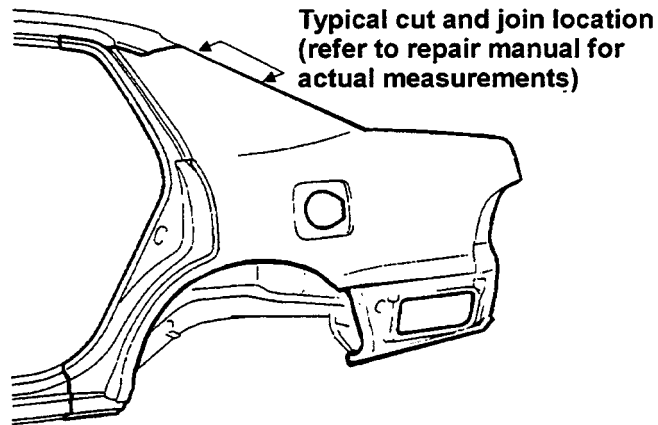
Research indicates this procedure may not satisfy customer expectations in terms of visible repair quality. This repair is viewed primarily as a potential cost-savings process.

Toyota no longer approves of this CUT-P procedure for some of the following reasons:

- Visible cut and join locations from inner trunk compartment
- Body character lines are difficult to weld across
- Very difficult to perform an undetectable repair
- Customers overall cost of ownership is not reduced

Future Collision Damage Repair Manuals will not include the Quarter Panel (CUT-P) procedure.

The appropriate removal and installation specification for Quarter Panel sectioning are illustrated in each model-specific Repair Manual for Collision Damage, Body Panel Replacement section-Quarter Panel (CUT) procedure. The graphic below illustrates the typical cut and join location.



Always refer to the Toyota/Lexus model-specific repair manual for the actual cut/join location measurements, welding requirements and other important information.

For additional information, plan to attend a Toyota or Lexus collision repair training course. For training course schedule and registration, contact your Dealership Service Manager.

**NOTE: PLEASE ROUTE THIS BULLETIN TO YOUR COLLISION REPAIR CENTER
MANAGER AND TECHNICIANS**