

# COLLISION REPAIR INFORMATION

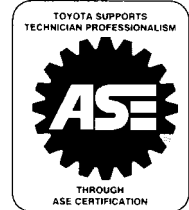
## FOR THE TOYOTA DEALER

TITLE: SRS AIRBAG COMPONENT REPLACEMENT PAGE 1 of 4

SECTION: ELECTRICAL BULLETIN #83

MODELS: ALL

DATE: MAY 1998



After an airbag has been deployed during a collision, it will be necessary to replace certain components of the SRS system. Technicians can identify these parts by using the attached matrix.

If, after the vehicle has been completely repaired, the airbag warning light stays on for more than 6 seconds while the key is turned to the "ACC" or "ON" position, it is necessary to perform a diagnostic test. Always refer to the model-specific Toyota Repair Manual for the correct repair procedure.

The attached information includes:

- A matrix indicating components requiring replacement (page 3).
- Parts replacement notes (page 4).
- An example Repair Manual page outlining the diagnostic procedure available in each model-specific Repair Manual (page 2).

On some vehicles the front sensors may be replaced. Please refer to the model-specific repair manual concerning front airbag sensor replacement requirements before performing this repair. Three part numbers are available for **replacement** electrical wire and connectors from the wire harness to the front SRS sensors. They are P/N 82988-24010, 82988-50010, and 82988-33010.

Toyota also offers a video package which outlines the operation of the SRS airbag system (P/N 00401-42994).

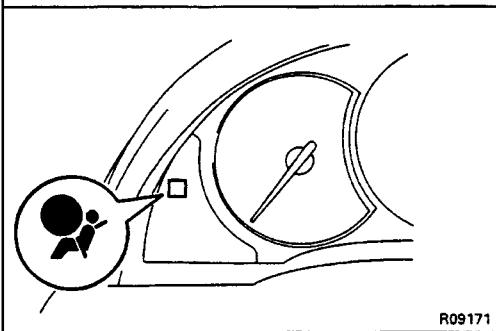
**NOTE: PLEASE ROUTE THIS BULLETIN TO YOUR COLLISION REPAIR CENTER MANAGER!**

**CAUTION: SRS Airbag service work can be performed only AFTER 90 SECONDS from the time the ignition switch is turned to the "lock" position and the negative (-) terminal cable is disconnected from the battery.**

This is an example from a Toyota Repair Manual. Always refer to the repair manual applicable to the model and year of the vehicle you are diagnosing.

## SUPPLEMENTAL RESTRAINT SYSTEM – TROUBLESHOOTING

RS-33



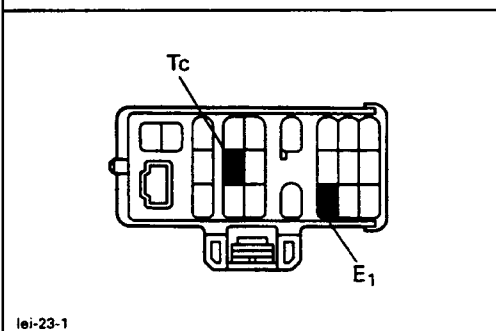
### DIAGNOSIS INSPECTION

#### SRS warning light check

- (a) Turn the ignition switch to ACC or ON and check that the SRS warning light lights up.
- (b) Check that the SRS warning light goes out after approx. 6 seconds.

#### HINT:

- When the ignition switch is at ACC or ON and the SRS warning light remains on or flashes, the center airbag sensor assembly has detected a malfunction code.
- If, after approx. 6 seconds have elapsed, the SRS warning light sometimes lights up or the SRS warning light lights up even when the ignition switch is OFF, a short in the SRS warning light circuit can be considered likely. Proceed to "SRS warning light system malfunction" on page RS-69, 70.



#### DTC check

Using diagnosis check wire:

##### 1. OUTPUT DTC

- (a) Turn the ignition switch to ACC or ON position and wait approx. 20 seconds.
- (b) Using SST, connect terminals Tc and E1 of the DLC1.  
SST 09843-18020

**NOTICE: Never make a mistake with the terminal connection position as this will cause a malfunction.**

| MODEL                 | YEAR  | STEERING WHEEL PAD | SPIRAL CABLE | STEERING WHEEL | PASSENGER AIRBAG | INSTRUMENT PANEL | FR. IMPACT SENSORS (BOTH) | AIRBAG SENSOR ASSEMBLY | WIRE HARNESS | SIDE IMPACT AIRBAGS | SIDE IMPACT SENSORS | SEATBELT PRETENSIONER |
|-----------------------|-------|--------------------|--------------|----------------|------------------|------------------|---------------------------|------------------------|--------------|---------------------|---------------------|-----------------------|
| TERCEL                | 93-94 | X                  | *4           | *4             |                  |                  | X                         | X                      | *3           |                     |                     |                       |
|                       | 95    | X                  | *4           | *4             | X                | *1               |                           | X                      | *3A          |                     |                     |                       |
|                       | 96-97 | X                  | *4           | *4             | X                | *2a              |                           | X                      | *3A          |                     |                     |                       |
| PASEO                 | 98    | X                  | *4           | *4             | X                | *2a              |                           | X                      | *3A          |                     |                     | X                     |
|                       | 93-95 | X                  | *4           | *4             |                  |                  | X                         | X                      | *3           |                     |                     |                       |
|                       | 96-97 | X                  | *4           | *4             | X                | *2a              |                           | X                      | *3A          |                     |                     |                       |
| COROLLA               | 93    | X                  | *4           | *4             |                  |                  | X                         | X                      | *3           |                     |                     |                       |
|                       | 94-95 | X                  | *4           | *4             | X                | *2               | X                         | X                      | *3           |                     |                     |                       |
|                       | 96-97 | X                  | *4           | *4             | X                | *2a              |                           | X                      | *3A          |                     |                     |                       |
| CELICA                | 98    | X                  | *4           | *4             | X                | *2a              | X                         | X                      | *3A          | *6                  | *6                  | X                     |
|                       | 90-93 | X                  | *4           | *4             |                  |                  | X                         | *5                     | *3           |                     |                     |                       |
|                       | 94-95 | X                  | *4           | *4             | X                | *1               | X                         | X                      | *3           |                     |                     |                       |
|                       | 96-97 | X                  | *4           | *4             | X                | *2a              | X                         | X                      | *3           |                     |                     |                       |
|                       | 98    | X                  | *4           | *4             | X                | *2               |                           | X                      | *3A          |                     |                     |                       |
|                       | 92-93 | X                  | *4           | *4             |                  |                  | X                         | X                      | *3           |                     |                     |                       |
| CAMRY                 | 94-95 | X                  | *4           | *4             | X                | *2               | X                         | X                      | *3           |                     |                     |                       |
|                       | 96    | X                  | *4           | *4             | X                | *2a              | X                         | X                      | *3           |                     |                     |                       |
|                       | 97    | X                  | *4           | *4             | X                | *2a              | X                         | X                      | *3A          |                     |                     |                       |
| SUPRA                 | 98    | X                  | *4           | *4             | X                | *2a              |                           | X                      | *3A          | *6                  | *6                  | X                     |
|                       | 90-92 | X                  | *4           | *4             |                  |                  | X                         | *5                     | *3           |                     |                     |                       |
|                       | 93-96 | X                  | *4           | *4             | X                | *2a              | X                         | X                      | *3           |                     |                     |                       |
| MR2                   | 97-98 | X                  | *4           | *4             | X                | *2               |                           | X                      | *3A          |                     |                     |                       |
|                       | 91-93 | X                  | *4           | *4             |                  |                  | X                         | *5                     | *3           |                     |                     |                       |
|                       | 94-95 | X                  | *4           | *4             | X                | *2               | X                         | X                      | *3           |                     |                     |                       |
| AVALON                | 95    | X                  | *4           | *4             | X                | *2               |                           | X                      | *3A          |                     |                     |                       |
|                       | 96-97 | X                  | *4           | *4             | X                | *2a              |                           | X                      | *3A          |                     |                     |                       |
|                       | 98    | X                  | *4           | *4             | X                | *2               |                           | X                      | *3A          | *6                  | *6                  | X                     |
| PREVIA                | 92-93 | X                  | *4           | *4             |                  |                  | X                         | X                      | *3           |                     |                     |                       |
|                       | 94-95 | X                  | *4           | *4             | X                | *2               | X                         | X                      | *3           |                     |                     |                       |
|                       | 96-97 | X                  | *4           | *4             | X                | *2a              |                           | X                      | *3A          |                     |                     |                       |
| SIENNA                | 98    | X                  | *4           | *4             | X                | *2               | X                         | X                      | *3A          |                     |                     | X                     |
|                       | 96-97 | X                  | *4           | *4             | X                | *2a              |                           | X                      | *3A          |                     |                     |                       |
| RAV4                  | 98    | X                  | *4           | *4             | X                | *2               | X                         | X                      | *3           |                     |                     | X                     |
|                       | 94-98 | X                  | *4           | *4             |                  |                  | X                         | X                      | *3           |                     |                     |                       |
| T100                  | 95-96 | X                  | *4           | *4             |                  |                  | X                         | X                      | *3           |                     |                     |                       |
|                       | 97    | X                  | *4           | *4             |                  |                  |                           | X                      | *3A          |                     |                     |                       |
| TACOMA                | 98    | X                  | *4           | *4             | X                | *2               |                           | X                      | *3A          |                     |                     |                       |
|                       | 96-98 | X                  | *4           | *4             | X / 7            | *2               |                           | X                      | *3A          |                     |                     |                       |
| 4 RUNNER LAND CRUISER | 96-98 | X                  | *4           | *4             | X                | *2               |                           | X                      | *3A          |                     |                     |                       |
|                       | 95-97 | X                  | *4           | *4             | X                | *2               |                           | X                      | *3A          |                     |                     |                       |
| CRUISER               | 98    | X                  | *4           | *4             | X                | *2               | X                         | X                      | *3A          |                     |                     | X                     |
|                       | 98    | X                  | *4           | *4             | X                | *2               |                           | X                      | *3A          |                     |                     |                       |

**Component Replacement Notes**

**Note 1** – Visually inspect and replace the following items if deformed:  
Instrument panel and center console bracket support

**Note 2** – Visually inspect and replace the following items if deformed:  
Instrument panel and Instrument panel reinforcement  
Glove compartment and glove compartment door

**Note 2a** – Same as note 2 without involving the glove compartment.

**Note 3** – If the SRS wire harness is damaged only at the connectors to the front sensors:  
Use a repair wire specially designed for use in the SRS airbag system at the front sensor (PN 82988–24010/50010/33010).

**OR**

Replace the entire wire harness assembly.

**Note 3a** – Replace the entire wire harness if damaged or has been found to be faulty during troubleshooting.

**Note 4** – Replace the following items if deformed or if diagnostic tests show a fault:  
Steering wheel (If the horn button contact plate has been deformed, never attempt to repair it—always replace the steering wheel).

Spiral cable

**Note 5** – Replace center airbag sensor assembly if:  
Center airbag sensor assembly has been found faulty in troubleshooting.

Center airbag sensor assembly shows evidence of the following:

1. Deformation of the bracket or case
2. Vinyl seal broken
3. Damage to connector

Center airbag sensor assembly has been dropped.

**Note 6** – Replace side impact sensors and side airbag assembly with seat cover if deployed. Side airbag circuits are independent from each other, and one side may deploy while the other does not.

**Note 7** – 1998 Tacoma is equipped with a passenger airbag cutoff switch. If the switch is “OFF” when impact occurs, replace the switch. If the switch is in the “ON” position when impact occurs, and the passenger airbag deploys, check the switch as directed by the Repair Manual.