

COLLISION REPAIR INFORMATION

FOR THE TOYOTA DEALER

TITLE: CORRECTION OF BODY DIMENSIONS

PAGE 1 of 3

SECTION: STRUCTURAL REPAIR BULLETIN #76

MODELS: COROLLA (AE10#), CAMRY (SXV#, VCV1#)

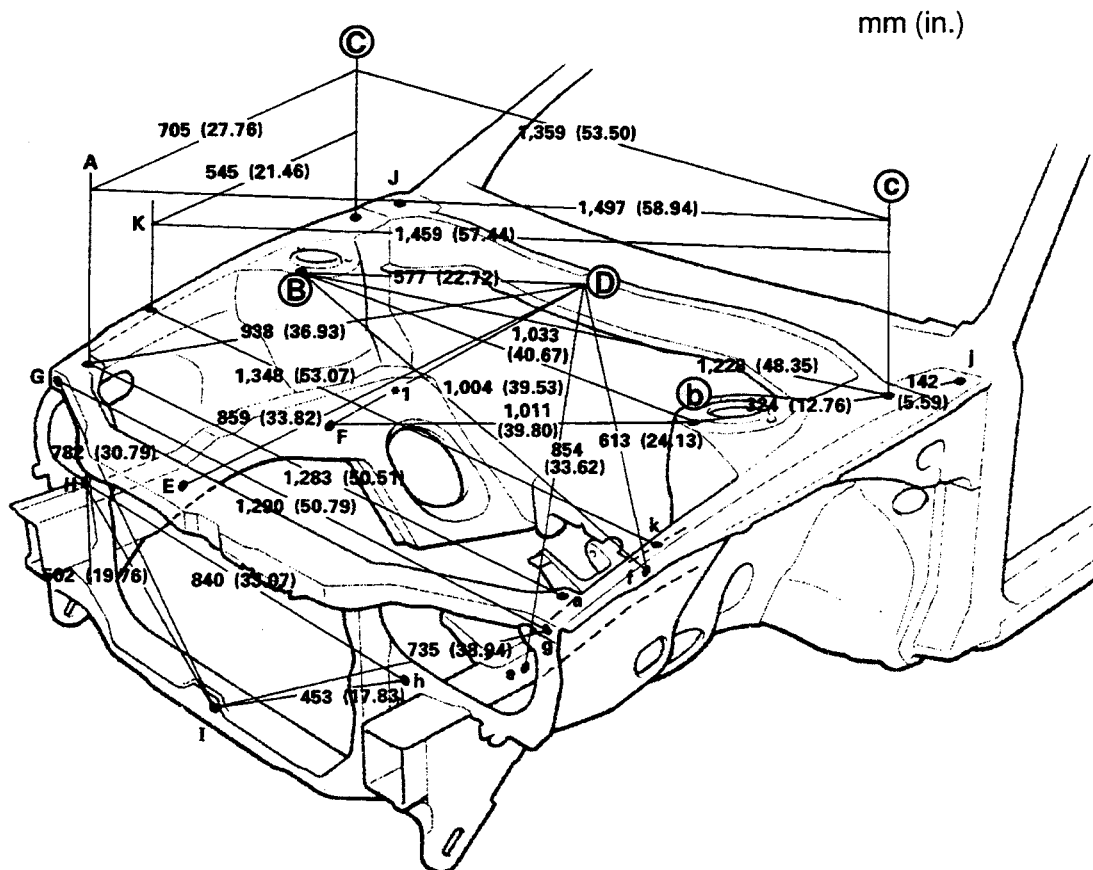
DATE: MARCH 1997



Please take time to review the following corrections and then note changes in your Collision Damage Repair manuals.

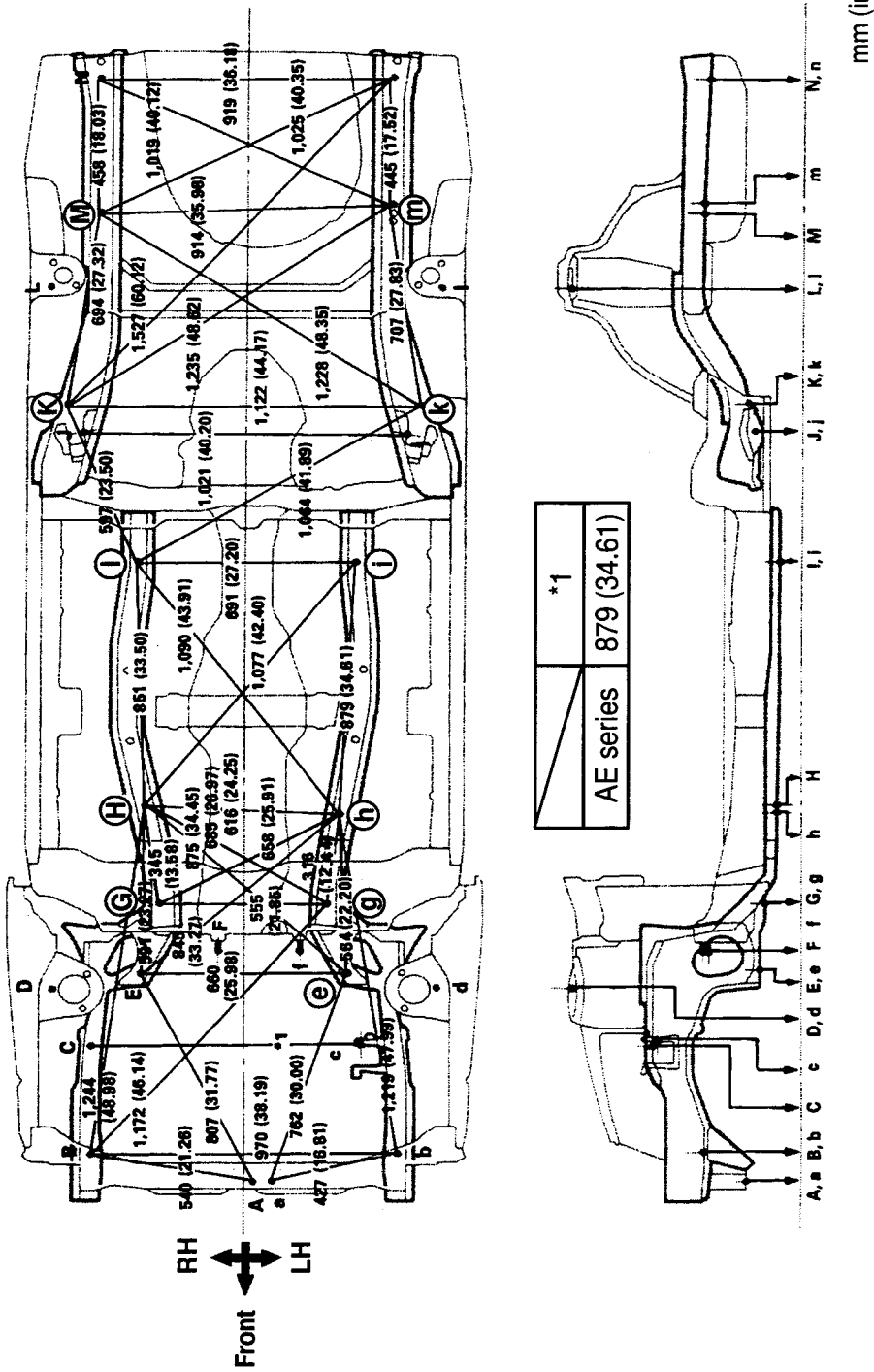
1. Corrections for 1993–1997 COROLLA (AE10#) Collision Repair Manual (part # 00400–BR038) page DI–3.

Location	Present	New
B–D, b–D	517mm (22.72)	577mm (22.72)
B–c, b–C	1218mm (48.35)	1228mm (48.35)



UNDERBODY

COROLLA (1993-1997)

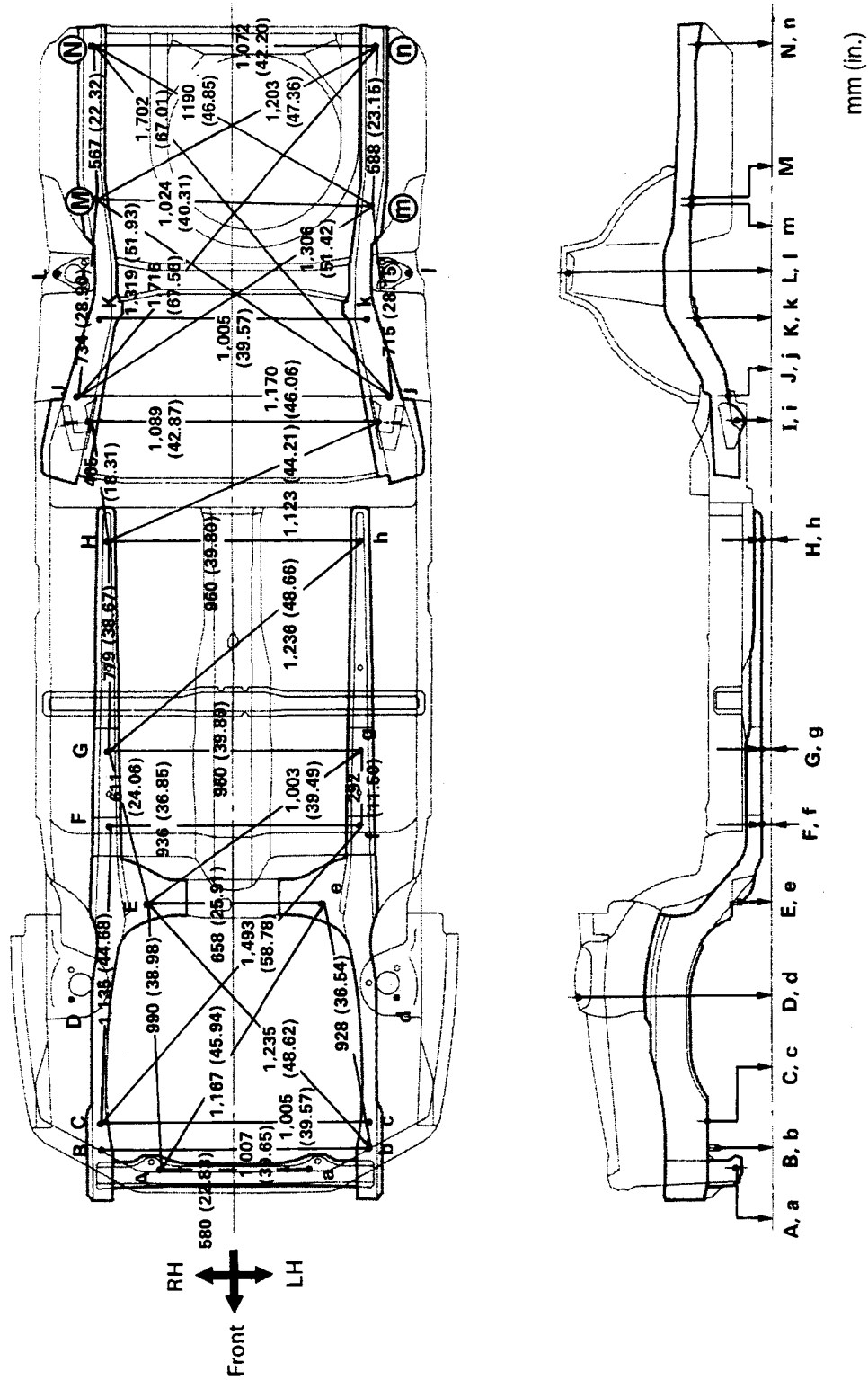


2. Corrections for 1993-1997 COROLLA Collision Damage Repair Manual (part # 00400-BR038), page DI - 10.

Location	Present		New	
	Present	New	Present	New
e-h	514mm (22.20)	564mm (22.20)	870mm (34.01)	879mm (34.61)
G-H	364mm (13.58)	345mm (13.58)	873mm (34.01)	694mm (27.32)
g-H	885mm (26.97)	685mm (26.97)	878mm (34.01)	707mm (27.83)
H-I	861mm (39.50)	851mm (33.50)	894mm (27.22)	1228mm (48.35)

UNDERBODY (cont'd)

CAMRY(1992-1996)



Location	Present	New
M-n	1210mm (47.64)	1203mm (47.36)
m-N	1182mm (46.54)	1190mm (46.85)

3. Corrections for 1992-1996 Camry Collision Damage Repair Manual (part # 00400-BR032), page DI - 7, and corrections for 1992-1996 Camry Wagon Collision Damage Repair Manual (part # 00400-BR035), page DI - 7.