

# COLLISION REPAIR INFORMATION

## FOR THE TOYOTA DEALER

TITLE: 1995 BODY DIMENSION GUIDE

PAGE 1 of 23

SECTION: STRUCTURAL REPAIR BULLETIN #66  
MODELS: TERCEL, CELICA CONVERTIBLE, AVALON  
(1995 Models)  
DATE: MARCH 1995



Professional unibody repairs demand restoration to original body measurements. To aid technicians in the repair process, Toyota uses specific body alignment points. Replacement panels also have these same points. The re-alignment of the original parts or installation of an OEM replacement part is best accomplished using the following specifications.

This bulletin provides an additional resource for measurements of the all-new '95 Avalon, the re-designed '95 Tercel and the '95 Celica convertible.

The following information provides dimensions for:

- Upper body (engine compartment)
- Side body (body opening)
- Underbody (platform)
- Suspension crossmember (front)

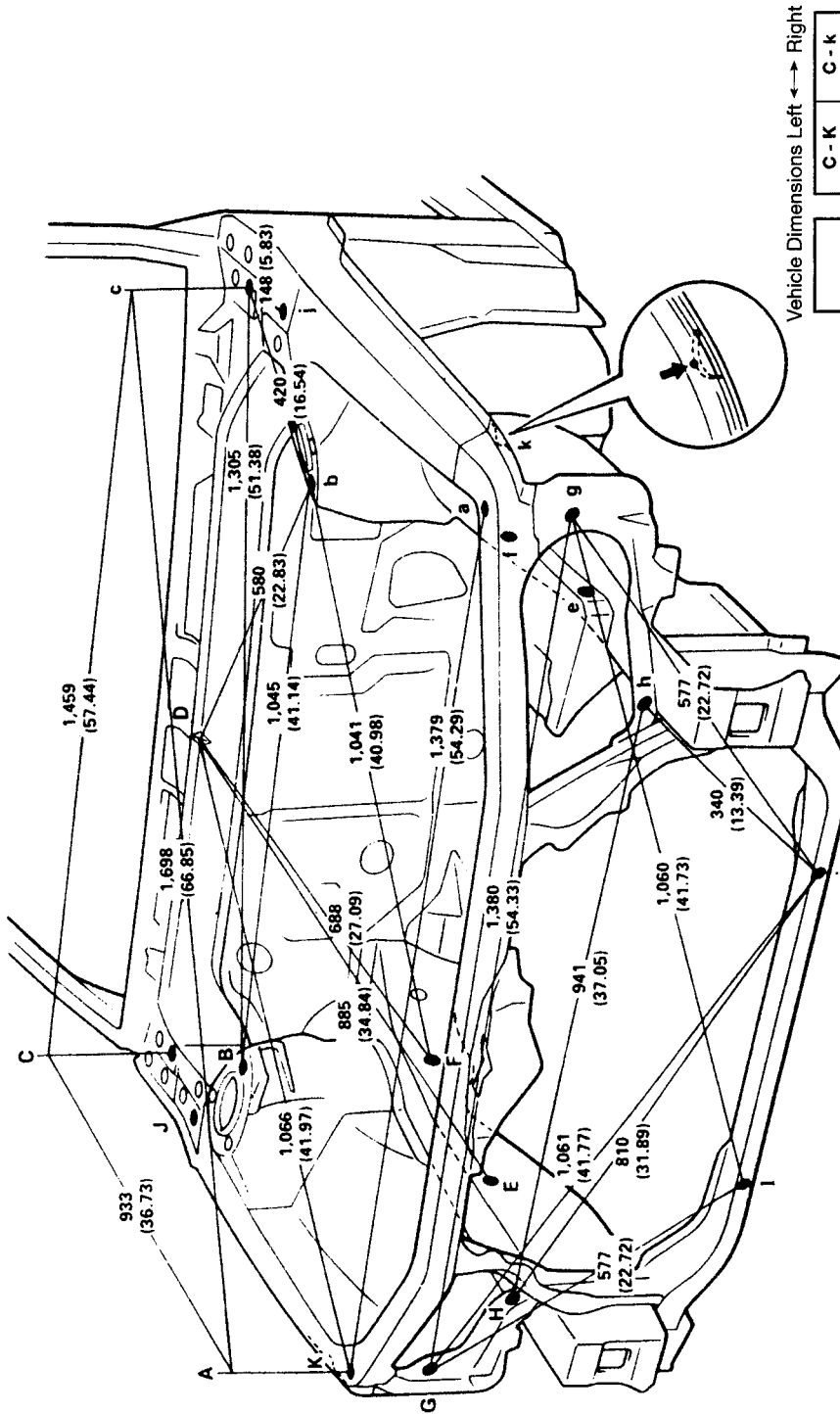
These specifications will be included in the 1995 Repair Manual For Collision Damage appropriate to each model and available in May 1995.

**NOTE: PLEASE ROUTE THIS BULLETIN TO YOUR COLLISION REPAIR CENTER MANAGER**

ENGINE COMPARTMENT

(Three-Dimensional Distance)

1995 AVALON



Vehicle Dimensions Left ← → Right

K - k	1,526 (60.08)	C - K or c - k	887 (34.92)	C - k or c - K	1,736 (68.35)
-------	------------------	----------------------	----------------	----------------------	------------------

mm (in.)

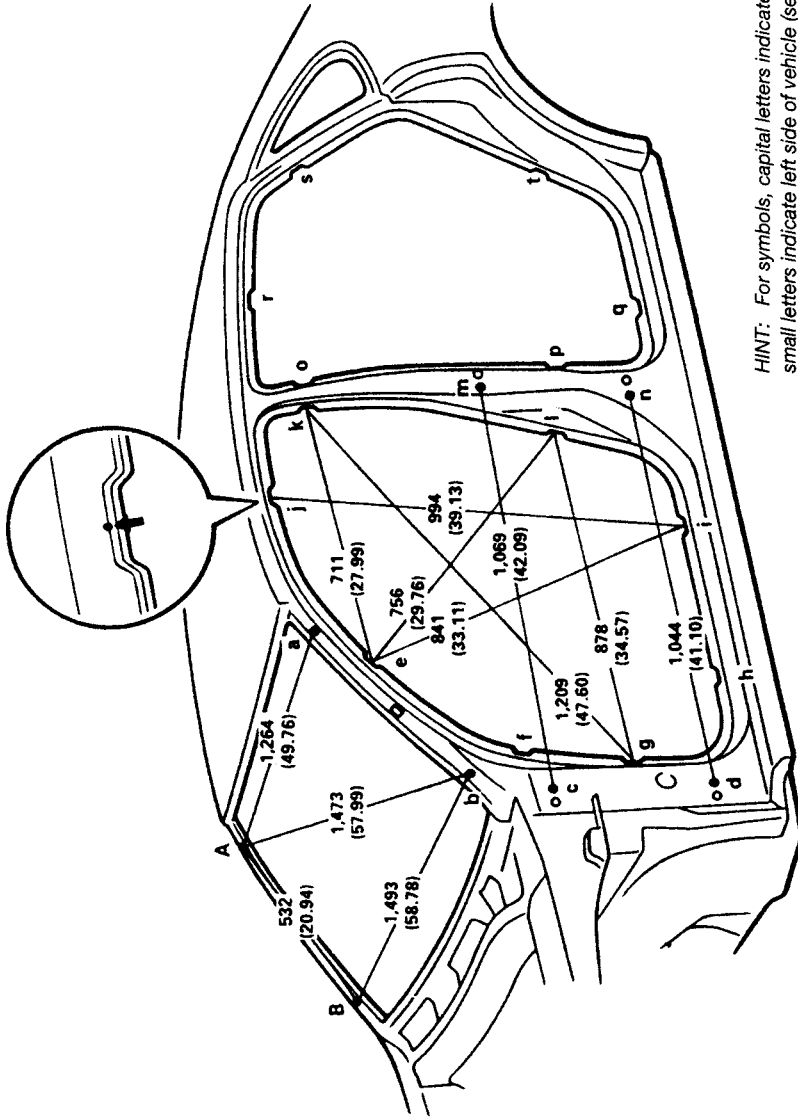
HINT: For symbols, capital letters indicate right side of vehicle, small letters indicate left side of vehicle (seen from rear).

Symbol	Name	Hole dia.	Symbol	Name	Hole dia.
A, a	Front fender installation nut	6 (0.24) nut	G, g	Radiator support standard hole	10 (0.39)
B, b	Front spring support hole - inner	11 (0.43)	H, h	Radiator support standard hole	10 (0.39)
C, c	Hood stopper installation nut	6 (0.24) nut	I, i	Front crossmember standard hole	12 (0.47)
D	Cowl top panel center mark	-	J, j	Cowl top side panel standard hole	10 (0.39)
E, e	Front side member standard hole	13 (0.51)	K, k	Front apron to cowl side member cut-out portion	-
F, f	Front side member working hole	15 (0.59)	-	-	-

BODY OPENING AREAS (Side View—Front)

(Three-Dimensional Distance)

1995 AVALON



HINT: For symbols, capital letters indicate right side of vehicle, small letters indicate left side of vehicle (seen from rear).

Vehicle Dimensions Left ↔ Right

E - e	F - f	G - g	H - h	I - i	J - j	K - k	L - l
1,359 (53.50)	1,494 (58.82)	1,492 (58.74)	1,492 (58.74)	1,492 (58.74)	1,175 (46.26)	1,295 (50.98)	1,499 (59.02)

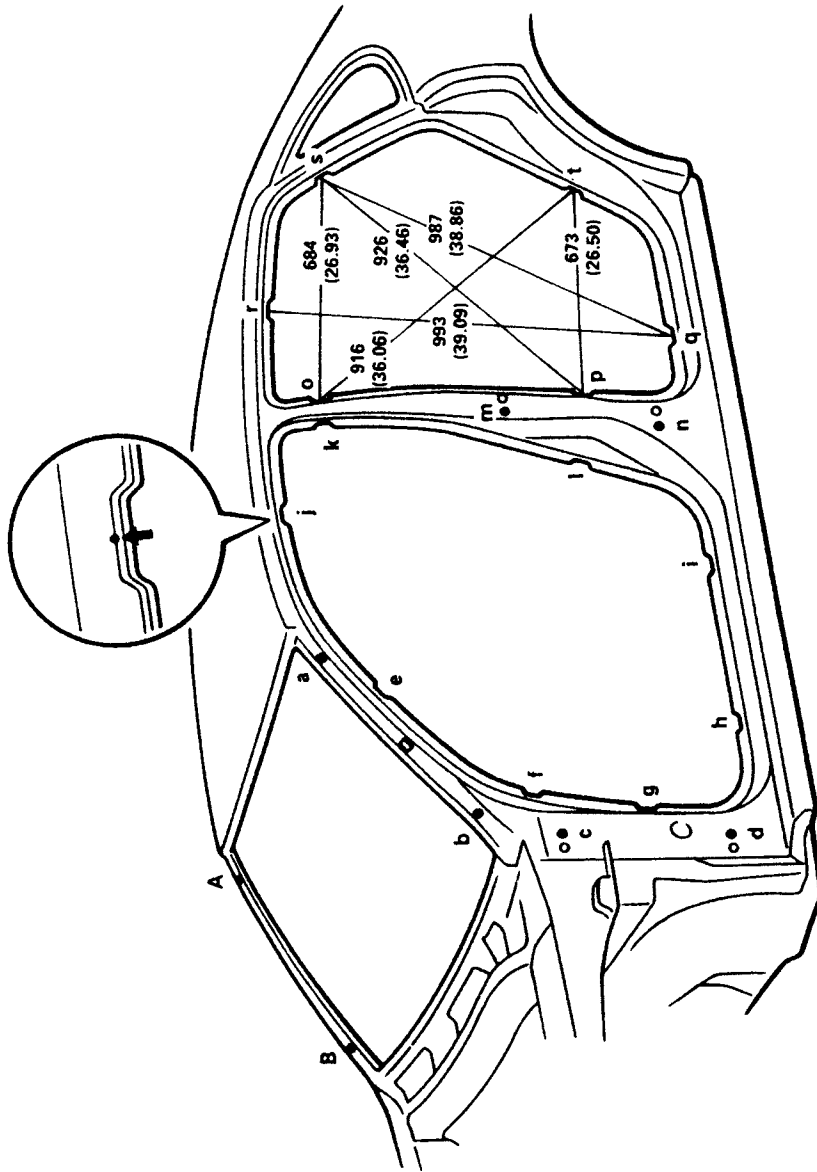
E - g or e - G	E - i or e - I	E - k or e - K	G - k or g - K	G - l or g - L	I - j or i - J	K - l or k - L
1,561 (61.46)	1,505 (59.25)	1,842 (72.52)	1,734 (68.27)	1,656 (65.20)	1,523 (59.96)	

Symbol	Name	Hole dia.	Symbol	Name	Hole dia.
A, a	Windshield moulding installation hole	7 x 7 (0.28 x 0.28)	H, h	Rocker panel assembly mark	-
B, b	Windshield moulding installation hole	7 x 7 (0.28 x 0.28)	I, i	Rocker panel assembly mark	-
C, c	Front door hinge installation nut - rear	10 (0.39) nut	J, j	Roof side rail assembly mark	-
D, d	Front door hinge installation nut - rear	10 (0.39) nut	K, k	Center body pillar assembly mark	-
E, e	Front body pillar assembly mark	-	L, l	Center body pillar assembly mark	-
F, f	Front body pillar assembly mark	-	M, m	Rear door hinge installation hole - front	13 (0.51)
G, g	Front body pillar assembly mark	-	N, n	Rear door hinge installation hole - front	13 (0.51)

BODY OPENING AREAS (Side View—Rear)

(Three-Dimensional Distance)

1995 AVALON



HINT: For symbols, capital letters indicate right side of vehicle, small letters indicate left side of vehicle (seen from rear).

Vehicle Dimensions Left ↔ Right

O - o	P - p	Q - q	R - r	S - s	T - t
1,294 (50.94)	1,498 (58.98)	1,492 (58.74)	1,162 (45.75)	1,305 (51.38)	1,488 (58.58)

H - q or h - Q	J - r or j - r	O - s or o - S	O - t or o - T	P - t or p - T	Q - r or q - R	S - t or s - T
1,824 (71.81)	1,314 (51.73)	1,469 (57.83)	1,663 (65.47)	1,638 (64.49)	1,649 (64.92)	1,536 (60.47)

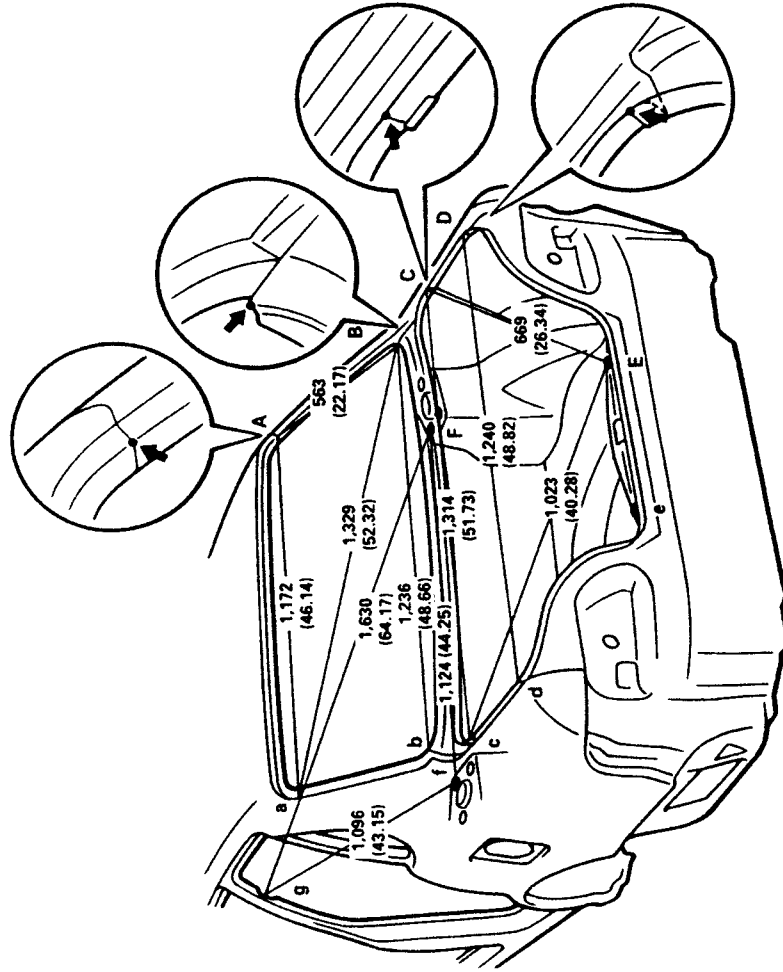
mm (in.)

Symbol	Hole dia.	Symbol	Name	Hole dia.
O, o	-	R, r	Roof side rail assembly mark	-
P, p	-	S, s	Quarter panel assembly mark	-
Q, q	-	T, t	Quarter panel assembly mark	-

**BODY OPENING AREAS (Rear View)**

(Three-Dimensional Distance)

**1995 AVALON**



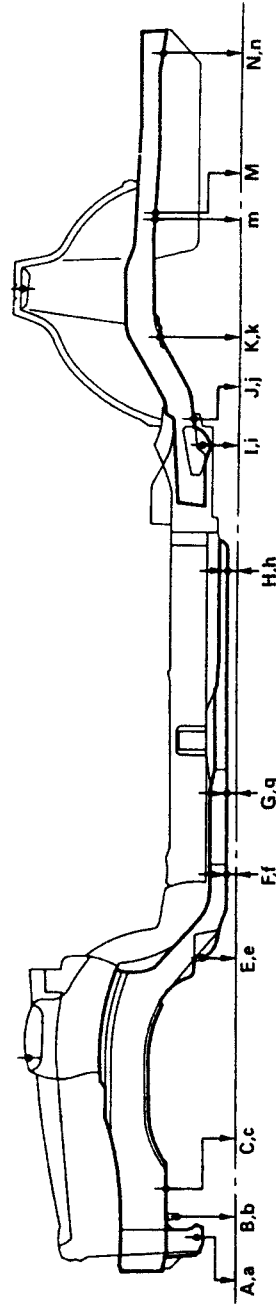
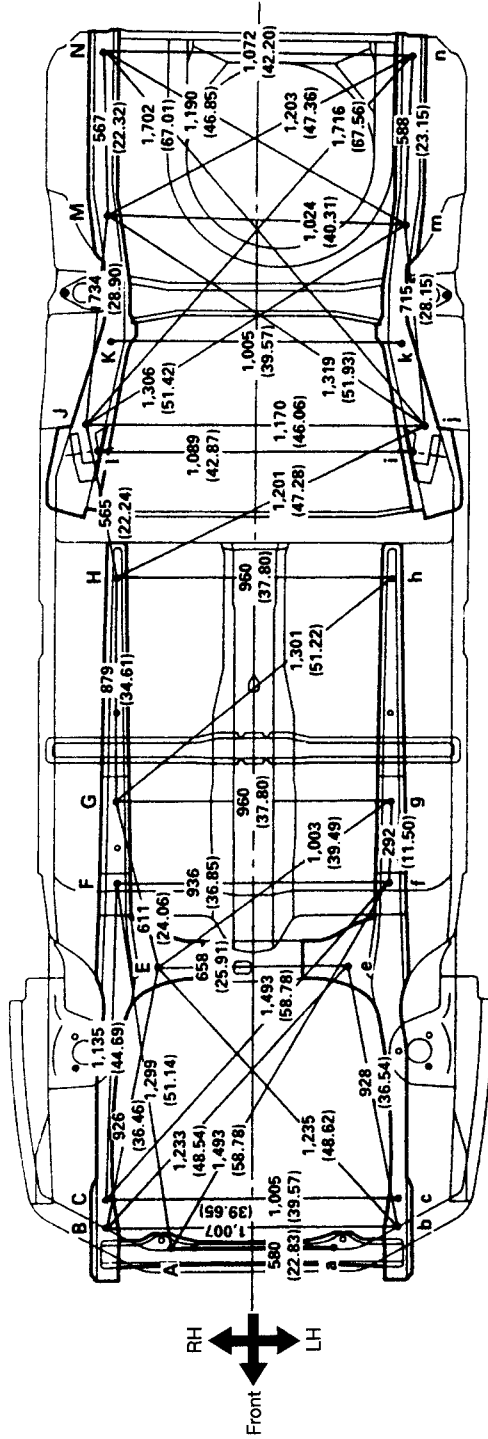
HINT: For symbols, capital letters indicate right side of vehicle, small letters indicate left side of vehicle (seen from rear).

Symbol	Name	Hole dia.	Symbol	Name	Hole dia.
A, a	Roof panel / Quarter panel adjoining portion	-	E, e	Rear floor finish plate installation hole	8.5 (0.335)
B, b	Upper back panel / Quarter panel adjoining portion	-	F, f	Rear spring support hole inner - front	9.5 (0.374)
C, c	Quarter panel / Upper back panel adjoining portion	-	G, g	Center body pillar assembly mark	-
D, d	Luggage opening trough / Quarter panel adjoining portion	-	-	-	-

mm (in.)

UNDER BODY

(Three-Dimensional Distance)

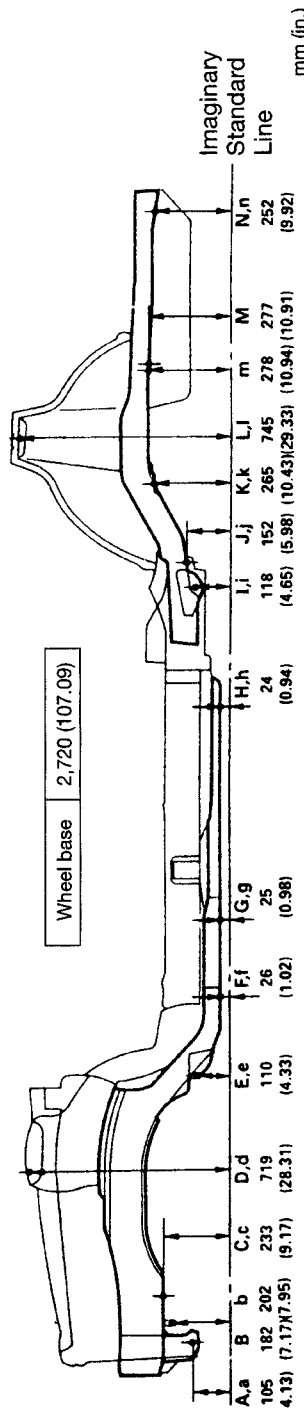
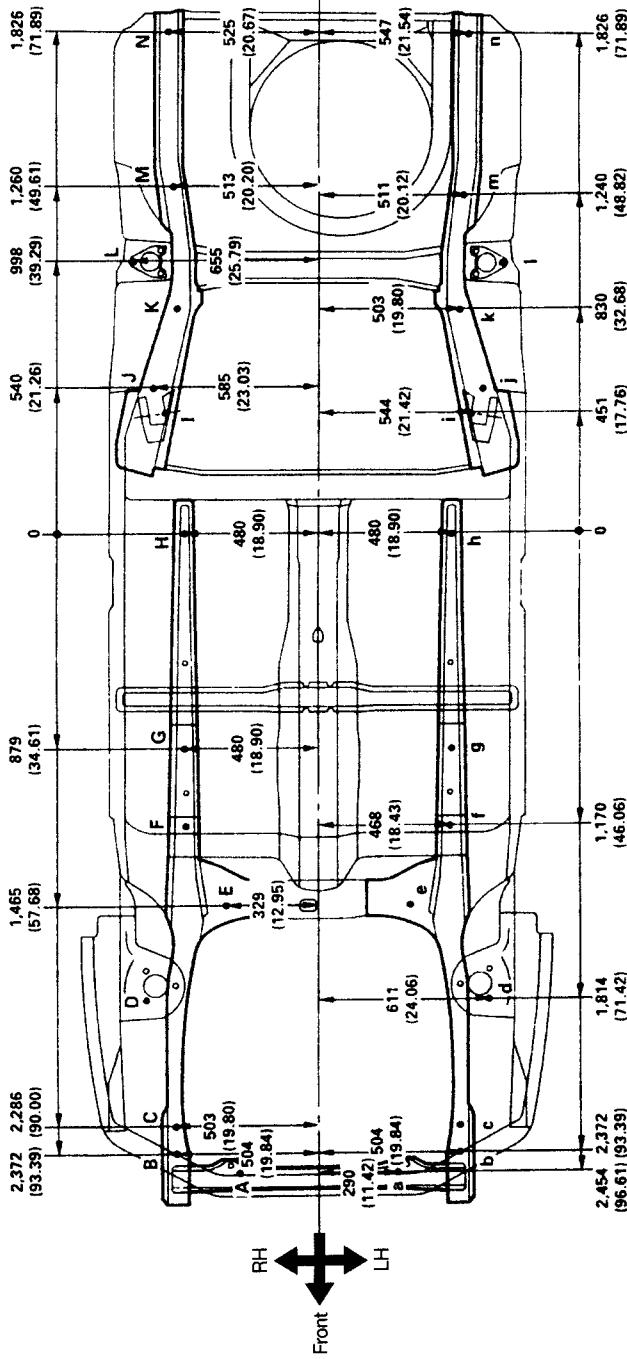


Symbol	Name	Hole dia.	Symbol	Name	Hole dia.
A, a	Front crossmember standard hole	10 (0.39)	H, h	Front floor under reinforcement working hole	15 (0.59)
B, b	Suspension crossmember installation nut	14 (0.55) nut	I, i	Strut bar installation hole - inner	12 (0.47)
C, c	Front side member standard hole	18 (0.71)	J, j	Rear floor side member standard hole	18 (0.71)
E, e	Suspension crossmember installation nut	14 (0.55) nut	K, k	Rear suspension member installation nut	14 (0.55) nut
F, f	Front side member standard hole	18 (0.71)	M, m	Rear floor side member standard hole	18 (0.71)
G, g	Front side member working hole	15 (0.59)	N, n	Rear floor side member standard hole	18 (0.71)

UNDER BODY (cont'd)

(Two-Dimensional Distance)

1995 AVALON



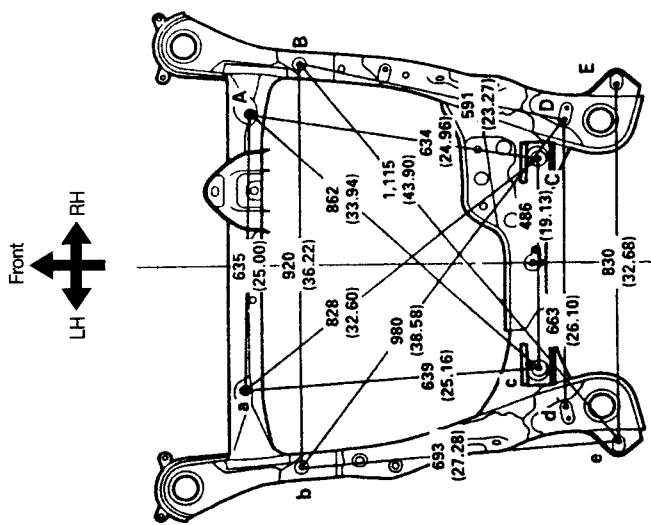
Wheel base 2,720 (107.09)

Symbol	Name	Hole dia.	Symbol	Name	Hole dia.
A, a	Front crossmember standard hole	10 (0.39)	H, h	Front floor under reinforcement working hole	15 (0.59)
B, b	Suspension crossmember installation nut	14 (0.55) nut	I, i	Strut bar installation hole - inner	12 (0.47)
C, c	Front side member standard hole	18 (0.71)	J, j	Rear floor side member standard hole	18 (0.71)
D, d	Front spring support hole outer - front	11 (0.43)	K, k	Rear suspension member installation nut	14 (0.55) nut
E, e	Suspension crossmember installation nut	14 (0.55) nut	L, l	Rear spring support hole - outer	9.5 (0.374)
F, f	Front side member standard hole	18 (0.71)	M, m	Rear floor side member standard hole	18 (0.71)
G, g	Front side member working hole	15 (0.59)	N, n	Rear floor side member standard hole	18 (0.71)

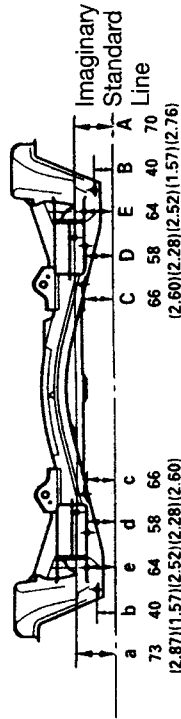
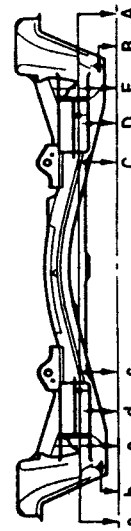
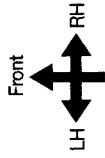
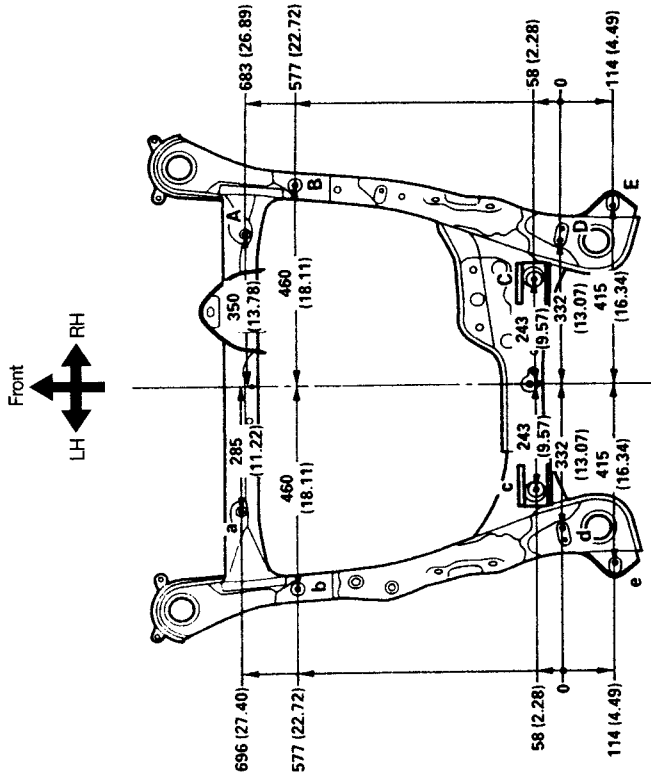
**SUSPENSION CROSSMEMBER**

**1995 AVALON**

(Three-Dimensional Distance)



(Two-Dimensional Distance)



Symbol	Name	Hole dia.	Symbol	Name	Hole dia.
A, a	Suspension crossmember standard hole	13 (0.51)	D, d	Suspension crossmember standard hole	13 (0.51)
B, b	Suspension crossmember standard hole	13 (0.51)	E, e	Lower control link installation hole -- lower	15 (0.59)
C, c	Suspension crossmember standard hole	13 (0.51)	-	-	-

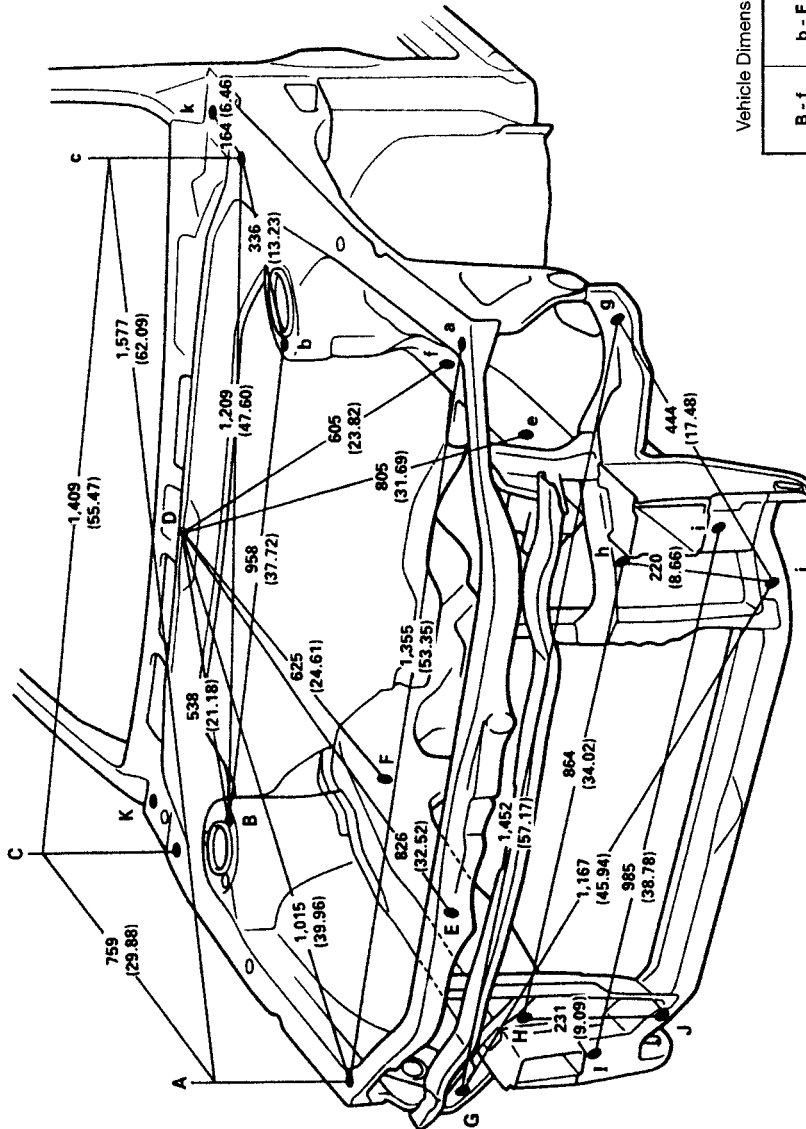
mm (in.)



ENGINE COMPARTMENT

(Three-Dimensional Distance)

1995 CELICA CONVERTIBLE



Vehicle Dimensions Left ← → Right

B - f	957 (37.68)	b - F	969 (38.15)	H - J	875 (34.45)	h - j	849 (33.43)
-------	----------------	-------	----------------	-------	----------------	-------	----------------

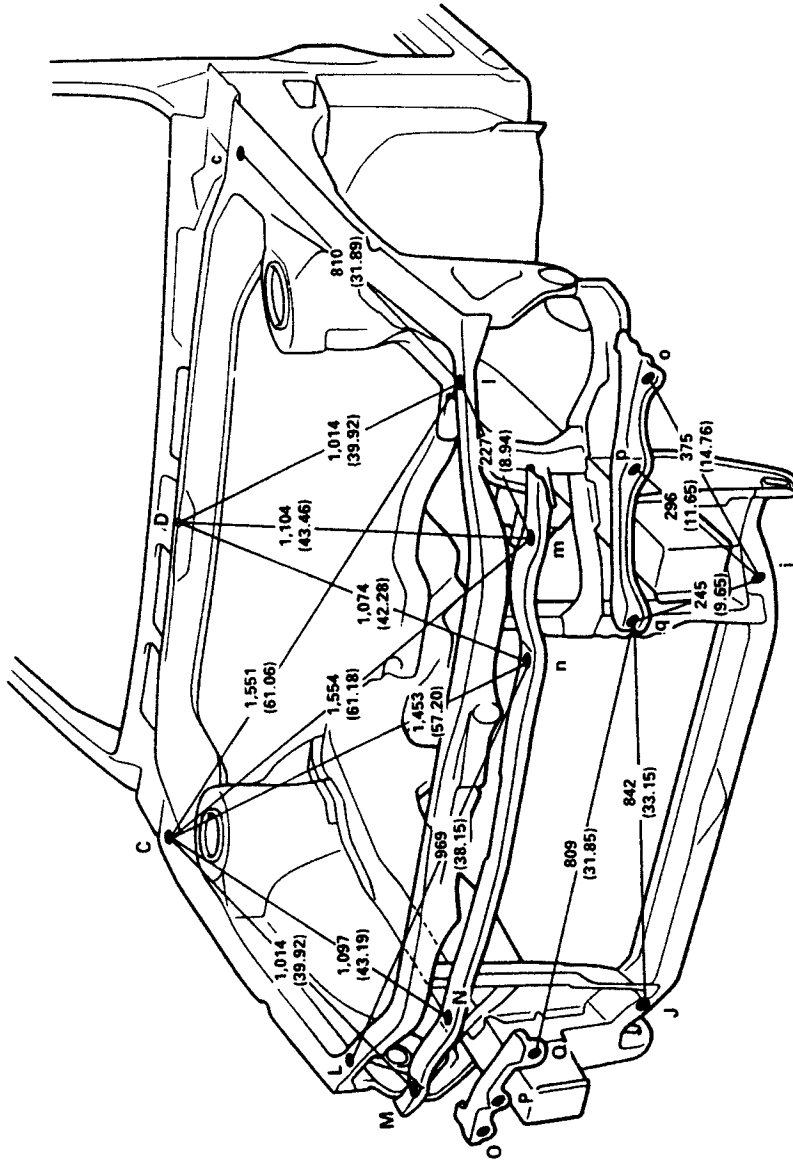
HINT: For symbols, capital letters indicate right side of vehicle, small letters indicate left side of vehicle (seen from rear).

Symbol	Name	Hole dia.	Symbol	Name	Hole dia.
A, a	Front fender installation nut	6 (0.24) nut	f	Front side member working hole	18 (0.71)
B, b	Front spring support hole - inner	11 (0.43)	G, g	Front fender installation nut	6 (0.24) nut
C, c	Front fender installation nut	6 (0.24) nut	H, h	Radiator support standard hole	10 (0.39)
D	Cowl top panel center mark	-	I, i	Front side member gusset standard hole	10 (0.39)
E	Front side member standard hole	18 (0.71)	J, j	Sub-radiator installation nut	6 (0.24) nut
e	Battery clamp bolt installation hole	10 (0.39)	K, k	Hood hinge installation nut - rear	8 (0.31) nut
F	Front side member standard hole	18 (0.71)	-	-	-

ENGINE COMPARTMENT (cont'd)

(Three-Dimensional Distance)

1995 CELICA CONVERTIBLE



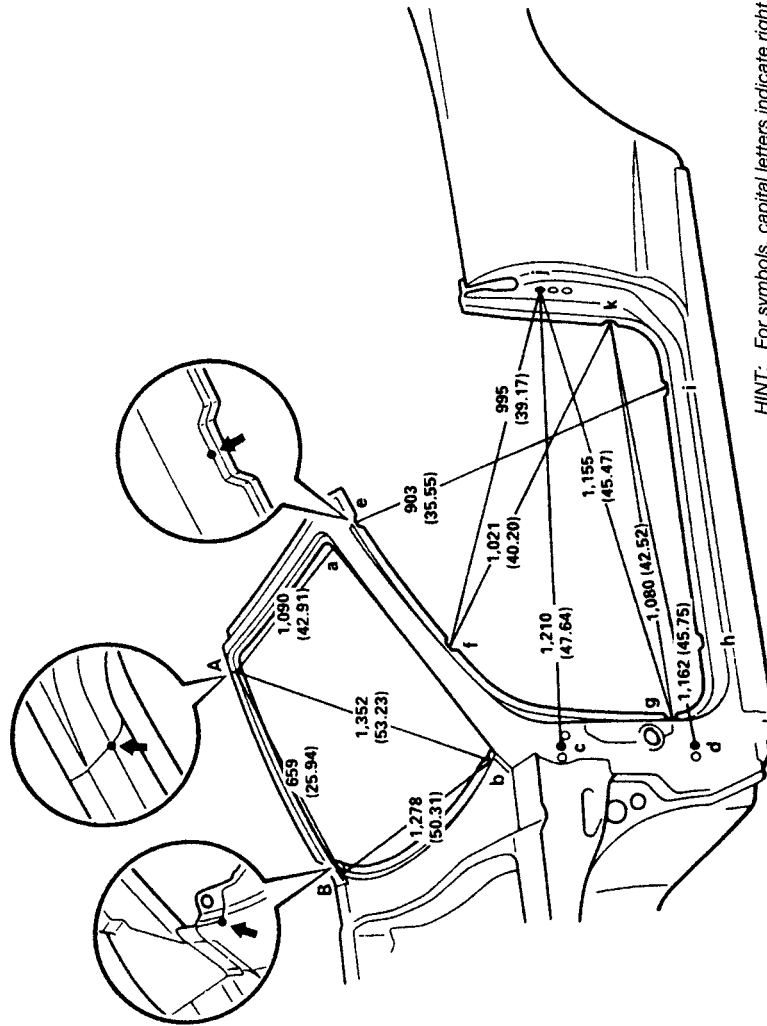
HINT: For symbols, capital letters indicate right side of vehicle, small letters indicate left side of vehicle (seen from rear).

Symbol	Name	Hole dia.	Symbol	Name	Hole dia.
C, c	Front fender installation nut	6 (0.24) nut	N, n	Headlight installation nut	6 (0.24) nut
D	Cowl top panel center mark	-	O, o	Headlight installation nut	6 (0.24) nut
J, j	Sub-radiator installation nut	6 (0.24) nut	P, p	Headlight installation nut	6 (0.24) nut
L, l	Headlight installation nut	6 (0.24) nut	Q, q	Headlight installation nut	6 (0.24) nut
M, m	Headlight installation nut	6 (0.24) nut	-	-	-

**BODY OPENING AREAS (Side View: Convertible)**

(Three-Dimensional Distance)

**1995 CELICA CONVERTIBLE**



HINT: For symbols, capital letters indicate right side of vehicle, small letters indicate left side of vehicle (seen from rear).

Vehicle Dimensions Left ← → Right

E - e	F - f	G - g	H - h	I - i	J - j	K - k
1,135 (44.69)	1,339 (52.72)	1,464 (57.64)	1,470 (57.87)	1,470 (57.87)	1,541 (60.67)	1,460 (57.48)

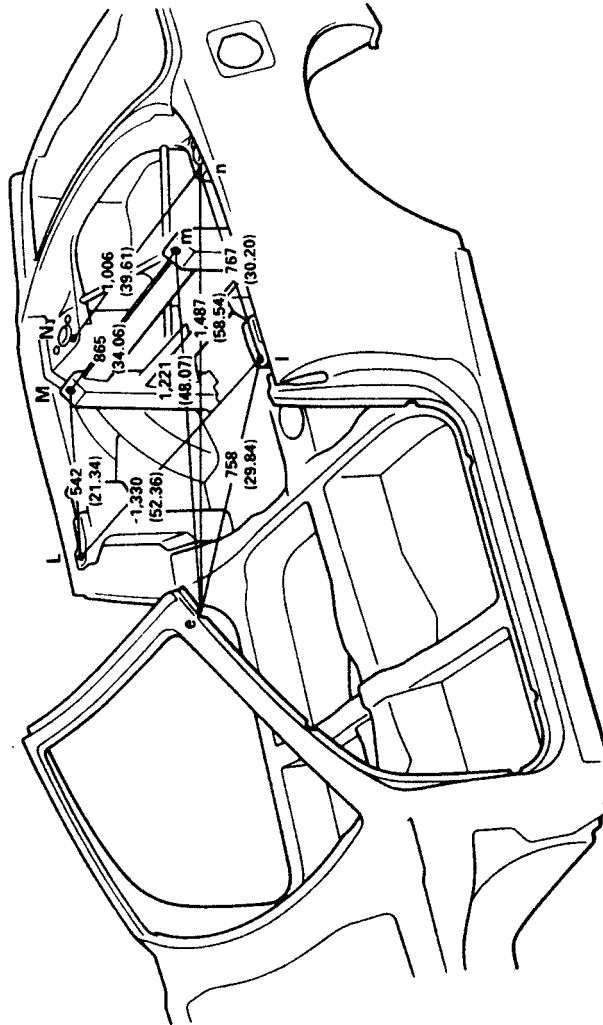
E - g or e - G	E - i or e - I	E - j or e - J	F - h or f - H	F - j or f - J	F - k or f - K	G - j or g - J	G - k or g - K	H - i or h - I	I - j or i - J
1,569 (61.77)	1,576 (62.05)	1,539 (60.59)	1,540 (60.63)	1,748 (68.82)	1,731 (68.15)	1,894 (74.57)	1,817 (71.54)	1,630 (64.17)	1,561 (61.46)

Symbol	Name	Symbol	Hole dia.	Name	Hole dia.
A, a	Roof panel / Front body pillar adjoining portion	G, g	-	Front body pillar assembly mark	-
B, b	Cowl top outer panel outside radius corner	H, h	-	Rocker panel assembly mark	-
C, c	Front door hinge installation nut	I, i	8 (0.31) nut	Rocker panel assembly mark	-
D, d	Front door hinge installation nut	J, j	8 (0.31) nut	Front door lock striker installation nut	8 (0.31) nut
E, e	Front body pillar assembly mark	K, k	-	Quarter panel assembly mark	-
F, f	Front body pillar assembly mark	-	-	-	-

BODY OPENING AREAS (Side View: Convertible) (cont'd)

1995 CELICA CONVERTIBLE

(Three-Dimensional Distance)



Vehicle Dimensions Left ↔ Right

E - l or e - L	E - m or e - M	E - n or e - N	L - m or I - M	L - n or I - N
1,444 (56.85)	1,572 (61.89)	1,831 (72.09)	1,202 (47.32)	1,388 (54.65)

HINT: For symbols, capital letters indicate right side of vehicle, small letters indicate left side of vehicle (seen from rear).

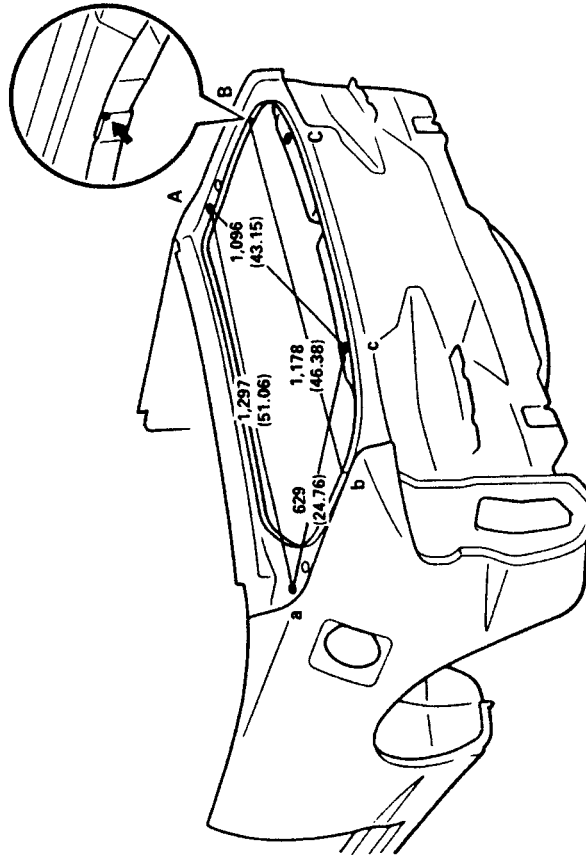
Symbol	Name	Hole dia.	Symbol	Name	Hole dia.
E, e	Front body pillar assembly mark	-	M, m	Rear shoulder belt anchor installation nut	(7/16) nut
L, l	Front shoulder belt anchor installation nut	(7/16) nut	N, n	Rear spring support hole - inner	9.5 (0.374)

mm (in.)

**BODY OPENING AREAS (Rear View: Convertible)**

(Three-Dimensional Distance)

**1995 CELICA CONVERTIBLE**



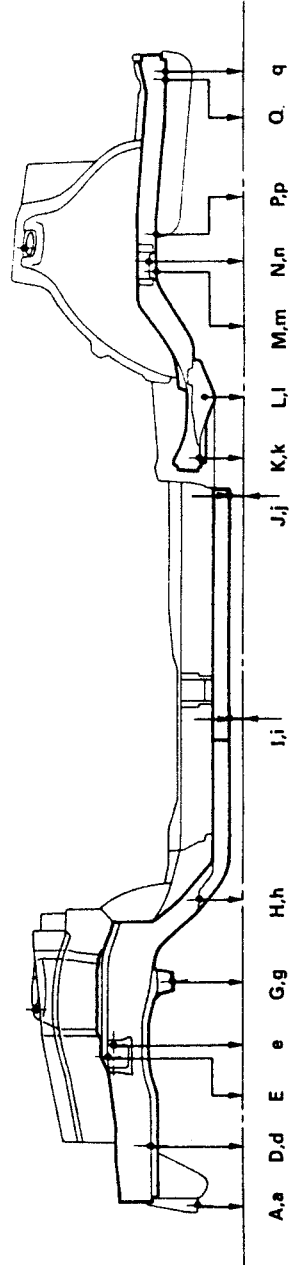
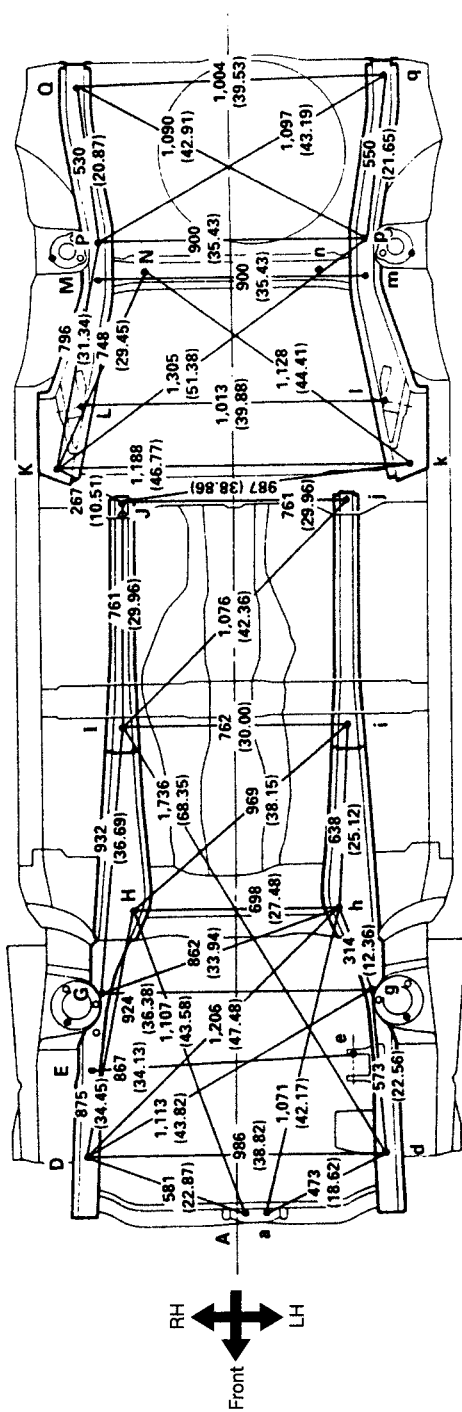
HINT: For symbols, capital letters indicate right side of vehicle, small letters indicate left side of vehicle (seen from rear).

Symbol	Name	Hole dia.	Symbol	Name	Hole dia.
A, a	Luggage door hinge installation nut - front	8 (0.31) nut	C, c	Lower back panel reinforcement standard hole	8 (0.31)
B, b	Quarter panel to upper back extension / Back panel gusset adjoining portion	-	-	-	-

UNDER BODY (Convertible)

(Three-Dimensional Distance)

1995 CELICA CONVERTIBLE

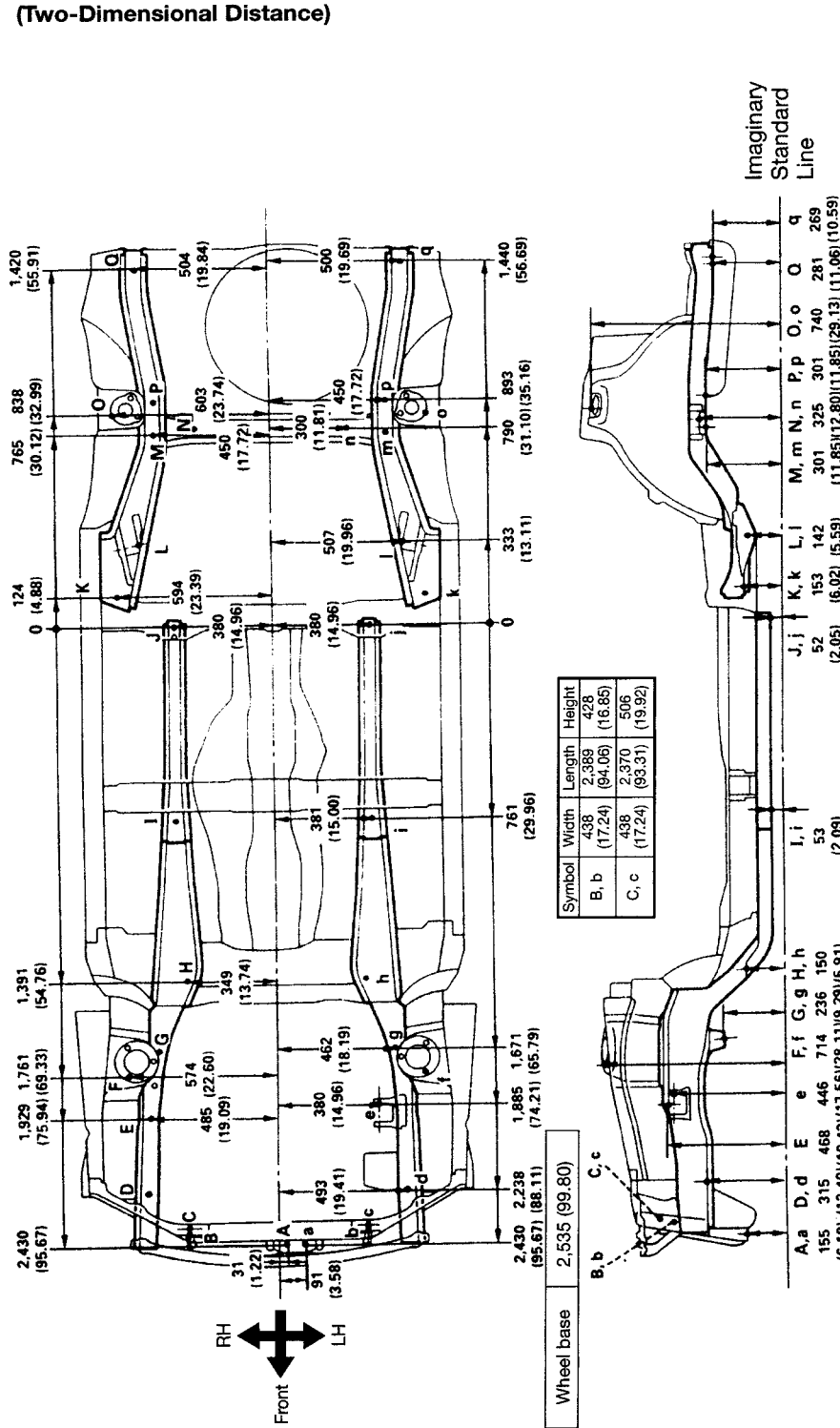


Symbol	Name	Hole dia.	Symbol	Name	Hole dia.
A, a	Engine mounting member installation nut	8 (0.31) nut	J, j	Front floor under reinforcement standard hole	10 (0.39)
D, d	Front side member standard hole	25 (0.98)	K, k	Rear floor side member standard hole	15 (0.59)
E	Engine mounting installation nut - front	10 (0.39) nut	L, l	Strut bar installation hole - inner	12 (0.47)
e	Engine mounting bracket hole - rear	11.5 (0.453)	M, m	Rear suspension member installation hole	18 (0.71)
G, g	Front suspension crossmember installation nut	14 (0.55) nut	N, n	Rear floor crossmember standard hole	10 (0.39)
H, h	Front suspension crossmember installation nut	14 (0.55) nut	P, p	Rear suspension member installation hole	19.5 (0.768)
I, i	Front floor under reinforcement standard hole	13 (0.51)	Q, q	Rear floor side member standard hole	15 (0.59)

UNDER BODY (Convertible) (cont'd)

(Two-Dimensional Distance)

1995 CELICA CONVERTIBLE



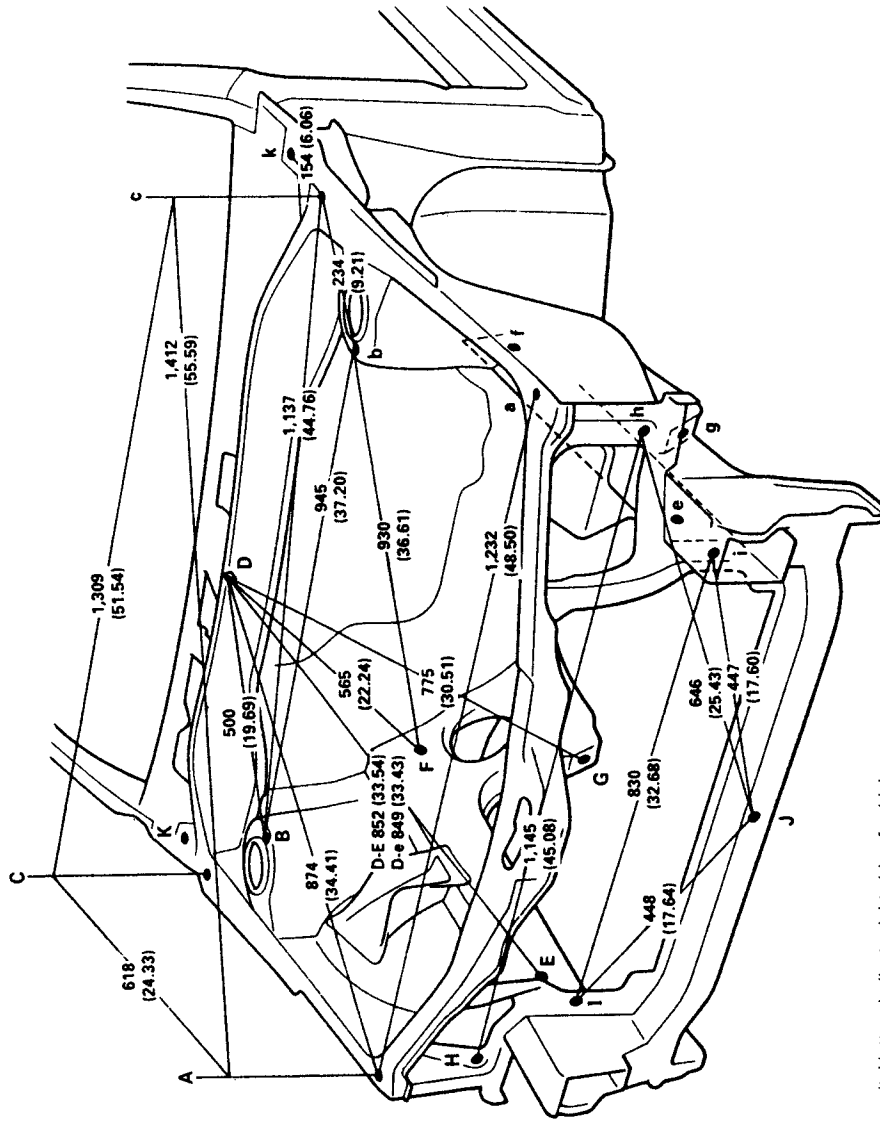
mm (in.)

Symbol	Name	Hole dia.	Symbol	Name	Hole dia.
A, a	Engine mounting member installation nut	8 (0.31) nut	L, i	Front floor under reinforcement standard hole	13 (0.51)
B, b	Airbag front sensor installation hole	10x8.2 (0.39x0.323)	J, j	Front floor under reinforcement standard hole	10 (0.39)
C, c	Airbag front sensor installation hole	11 (0.43)	K, k	Rear floor side member standard hole	15 (0.59)
D, d	Front side member standard hole	25 (0.98)	L, l	Strut bar installation hole - inner	12 (0.47)
E	Engine mounting installation nut - front	10 (0.39) nut	M, m	Rear suspension member installation hole	18 (0.71)
e	Engine mounting bracket hole - rear	11.5 (0.453)	N, n	Rear floor crossmember standard hole	10 (0.39)
F, f	Front spring support hole - front	11 (0.43)	O, o	Rear spring support hole - outer	9.5 (0.374)
G, g	Front suspension crossmember installation nut	14 (0.55) nut	P, p	Rear suspension member installation hole	19.5 (0.768)
H, h	Front suspension crossmember installation nut	14 (0.55) nut	Q, q	Rear floor side member standard hole	15 (0.59)

ENGINE COMPARTMENT

1995 TERCEL

(Three-Dimensional Distance)



HINT: For symbols, capital letters indicate right side of vehicle, small letters indicate left side of vehicle (seen from rear).

Symbol	Name	Hole dia.	Symbol	Name	Hole dia.
A, a	Front fender installation nut - front	6 (0.24) nut	G, g	Lower arm installation hole	12.5 (0.492)
B, b	Front spring support hole - inner	9.5 (0.374)	H, h	Radiator support standard hole	10 (0.39)
C, c	Front fender installation nut - rear	6 (0.24) nut	I, i	Radiator support standard hole	15 (0.59)
D	Cowl top panel center mark	-	J, j	Hood lock support installation nut	6 (0.24) nut
E, e	Front side member standard hole	15 (0.59)	K, k	Hood hinge installation nut - rear	8 (0.31) nut
F, f	Front side member standard hole	15 (0.59)	-	-	-

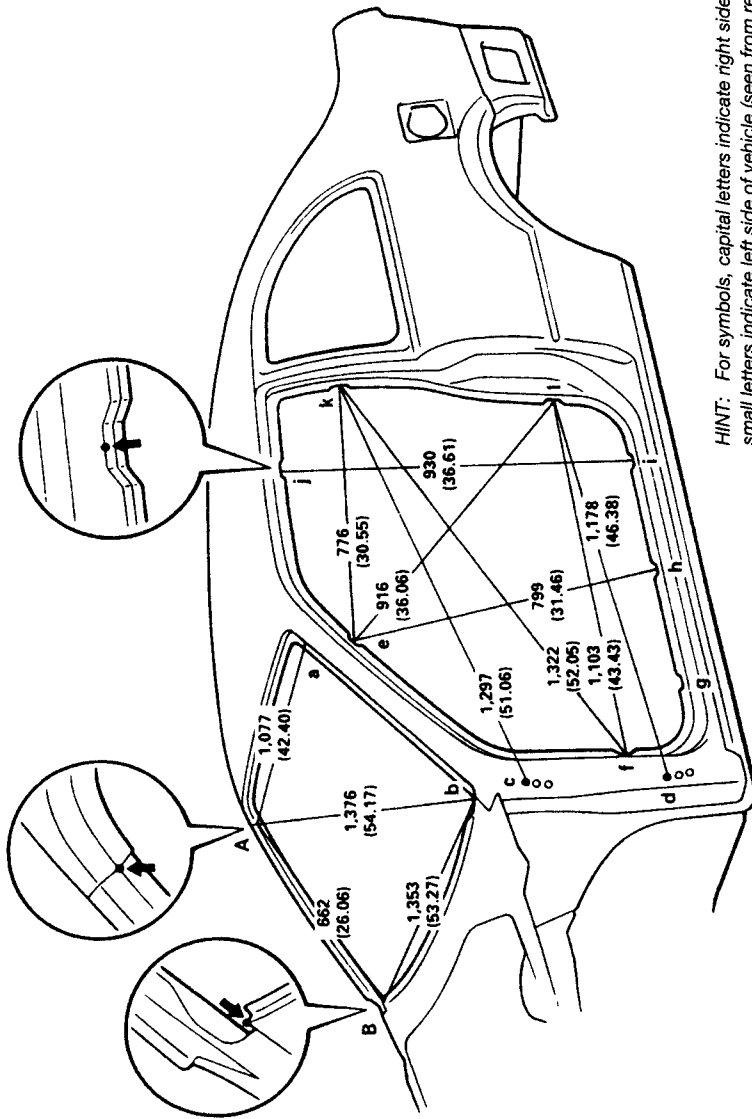
mm (in.)



**BODY OPENING AREAS (Side View: 2- Door)**

(Three-Dimensional Distance)

**1995 TERCEL**



HINT: For symbols, capital letters indicate right side of vehicle, small letters indicate left side of vehicle (seen from rear).

Vehicle Dimensions Left ↔ Right

E - e	F - f	G - g	H - h	I - i	J - j	K - k	L - l	E - f or e - F	E - h or e - H	E - j or e - J	E - k or e - K	F - k or f - K	F - l or f - L	G - i or g - I	I - j or i - J	I - k or i - K	K - l or k - L
1,183 (46.57)	1,346 (52.99)	1,345 (52.95)	1,345 (52.95)	1,345 (52.95)	1,004 (39.53)	1,224 (48.19)	1,354 (53.31)	1,465 (57.68)	1,493 (58.78)	1,254 (49.37)	1,432 (56.39)	1,843 (72.56)	1,743 (68.62)	1,512 (59.53)	1,488 (58.58)	1,509 (59.41)	1,408 (55.43)

Symbol	Name	Symbol	Name	Hole dia.	Hole dia.
A, a	Roof panel / Front body pillar adjoining portion	G, g	Rocker panel assembly mark	-	-
B, b	Cowl top panel / Front body pillar adjoining portion	H, h	Rocker panel assembly mark	-	-
C, c	Front door hinge installation nut	I, i	Rocker panel assembly mark	8 (0.31) nut	-
D, d	Front door hinge installation nut	J, j	Roof side rail assembly mark	8 (0.31) nut	-
E, e	Front body pillar assembly mark	K, k	Quarter panel assembly mark	-	-
F, f	Front body pillar assembly mark	L, l	Quarter panel assembly mark	-	-

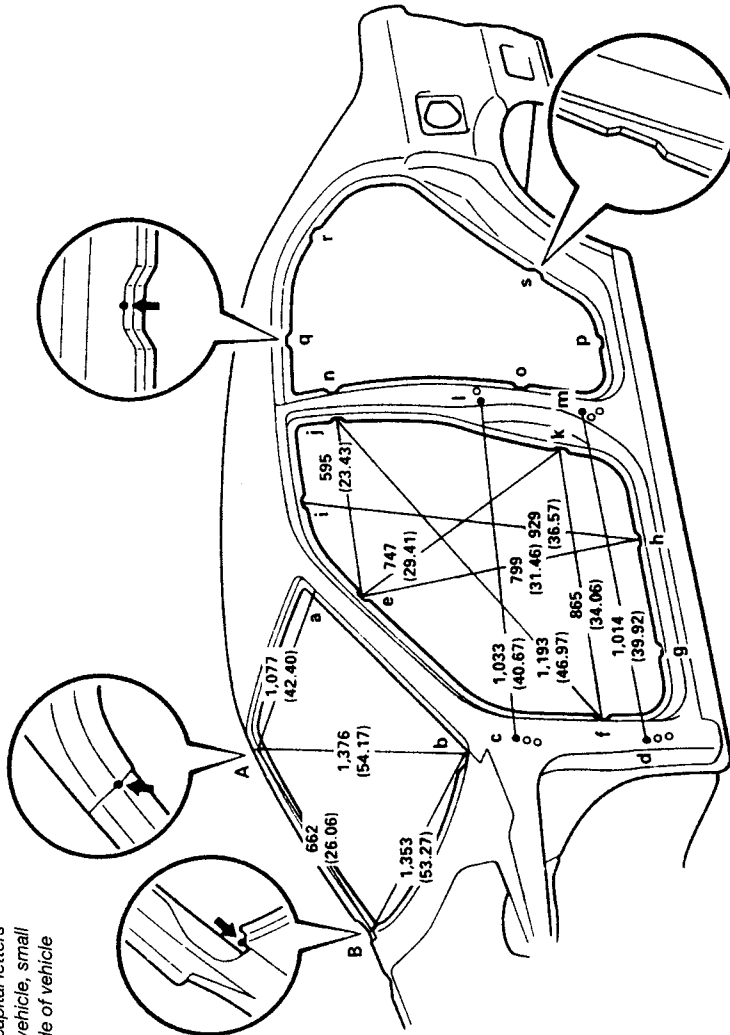
mm (in.)

BODY OPENING AREAS (Side View: 4-Door-Front)

(Three-Dimensional Distance)

1995 TERCEL

HINT: For symbols, capital letters indicate right side of vehicle, small letters indicate left side of vehicle (seen from rear).



Vehicle Dimensions Left ↔ Right

E - e	F - f	G - g	H - h	I - i	J - j	K - k
1,183 (46.57)	1,346 (52.99)	1,345 (52.95)	1,345 (52.95)	1,025 (40.35)	1,165 (45.87)	1,346 (52.99)

E - f or e - F	E - h or e - H	E - j or e - J	F - j or f - J	F - k or f - K	H - i or h - I	J - k or j - K
1,465 (57.68)	1,493 (58.78)	1,316 (51.81)	1,729 (68.07)	1,600 (62.99)	1,497 (58.94)	1,401 (55.16)

mm (in.)

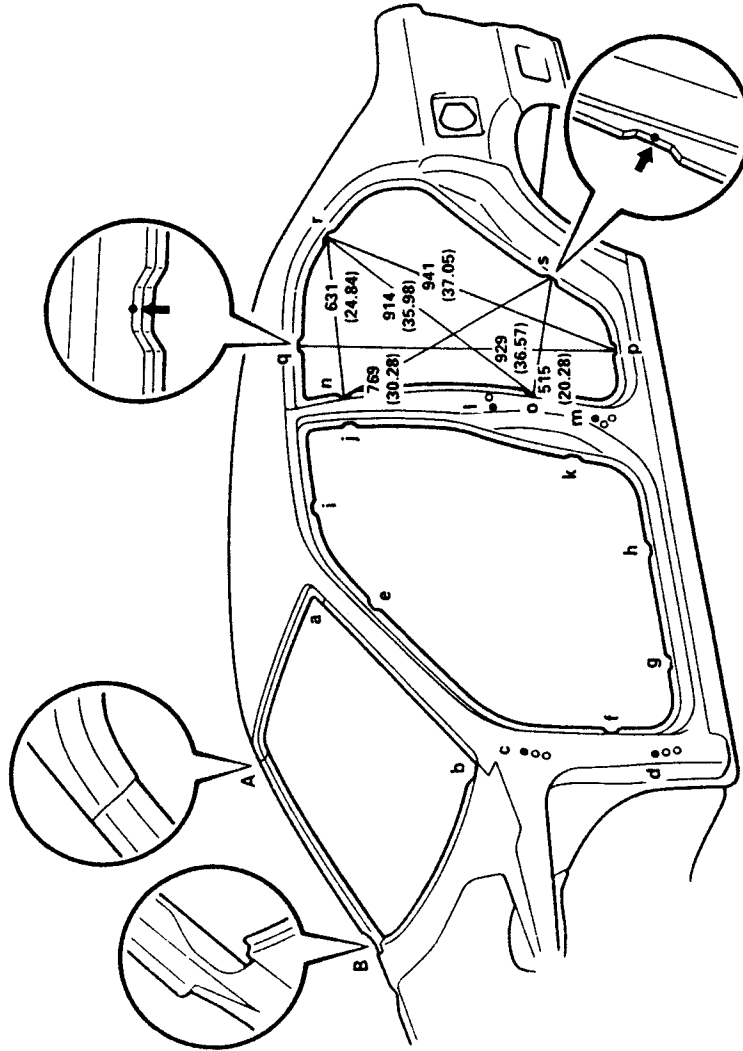
Symbol	Name	Hole dia.	Symbol	Name	Hole dia.
A, a	Roof panel / Front body pillar adjoining portion	-	H, h	Rocker panel assembly mark	-
B, b	Cowl top panel / Front body pillar adjoining portion	-	I, i	Roof side rail assembly mark	-
C, c	Front door hinge installation nut	8 (0.31) nut	J, j	Center body pillar assembly mark	-
D, d	Front door hinge installation nut	8 (0.31) nut	K, k	Center body pillar assembly mark	-
E, e	Front body pillar assembly mark	-	L, l	Rear door hinge installation hole	13 (0.51)
F, f	Front body pillar assembly mark	-	M, m	Rear door hinge installation nut	8 (0.31) nut
G, g	Rocker panel assembly	-	-	-	-

BODY OPENING AREAS (Side View: 4-Door-Rear)

(Three-Dimensional Distance)

1995 TERCEL

HINT: For symbols, capital letters indicate right side of vehicle, small letters indicate left side of vehicle (seen from rear).



Vehicle Dimensions Left ← → Right

N-n	O-o	P-p	Q-q	R-r	S-s
1,158 (45.59)	1,345 (52.95)	1,345 (52.95)	991 (39.02)	1,103 (43.43)	1,337 (52.64)

G-p	I-q	N-r	N-s	O-s	P-q	R-s
or g-P	or i-Q	or n-R	or n-S	or o-S	or p-Q	or r-S
1,710 (67.32)	1,168 (45.98)	1,294 (50.94)	1,463 (57.60)	1,437 (56.57)	1,482 (58.35)	1,395 (54.92)

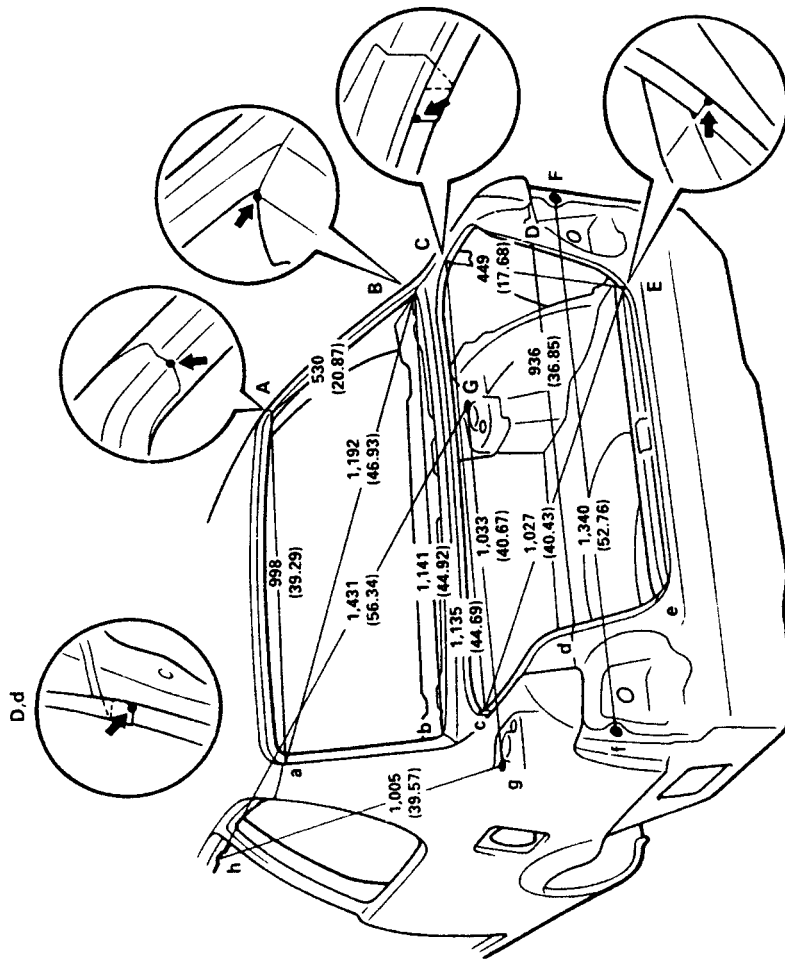
mm (in.)

Symbol	Name	Symbol	Name	Hole dia.	Hole dia.
N, n	Center body pillar assembly mark	Q, q	Roof side rail assembly mark	-	-
O, o	Center body pillar assembly mark	R, r	Quarter panel assembly mark	-	-
P, p	Rocker panel assembly mark	S, s	Quarter wheel housing outer panel assembly mark	-	-

BODY OPENING AREAS (Rear View: 2-Door)

1995 TERCEL

(Three-Dimensional Distance)



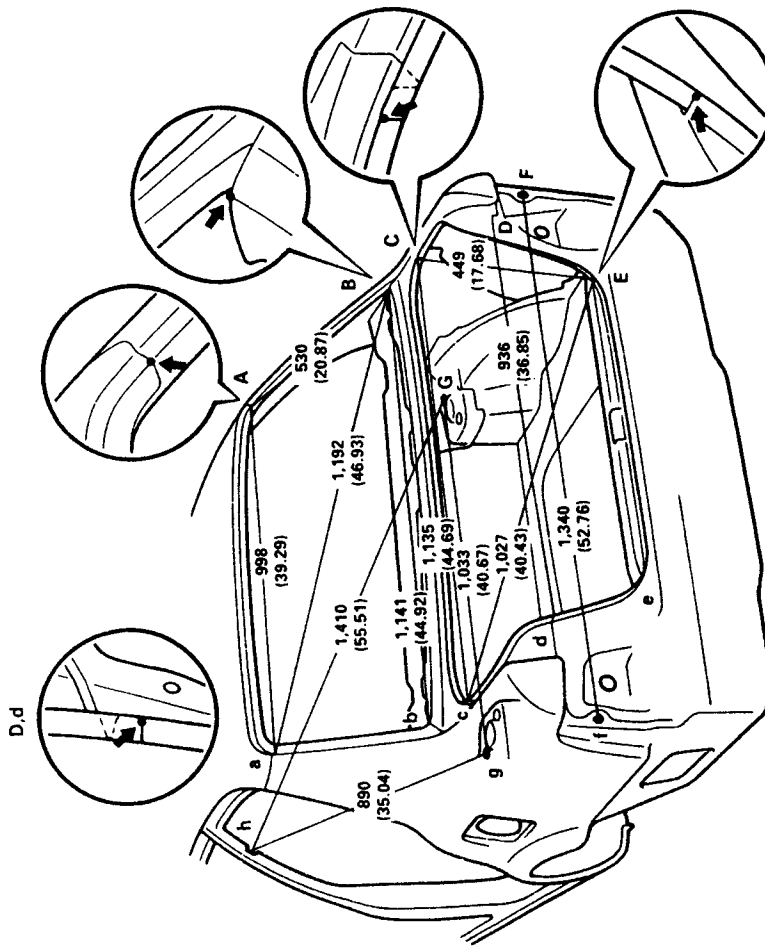
HINT: For symbols, capital letters indicate right side of vehicle, small letters indicate left side of vehicle (seen from rear).

Symbol	Name	Hole dia.	Symbol	Name	Hole dia.
A, a	Roof panel / Quarter panel adjoining portion	-	E, e	Lower back reinforcement / Lower back panel adjoining portion	-
B, b	Upper back panel / Quarter panel adjoining portion	-	F, f	Quarter panel standard hole	10 (0.39)
C, c	Quarter panel / Upper back panel adjoining portion	-	G, g	Rear spring support hole - outer	9.9 (0.390)
D, d	Luggage opening trough / Lower back panel adjoining portion	-	H, h	Roof side rail assembly mark	-

**BODY OPENING AREAS (Rear View: 4-Door)**

(Three-Dimensional Distance)

**1995 TERCEL**



HINT: For symbols, capital letters indicate right side of vehicle, small letters indicate left side of vehicle (seen from rear).

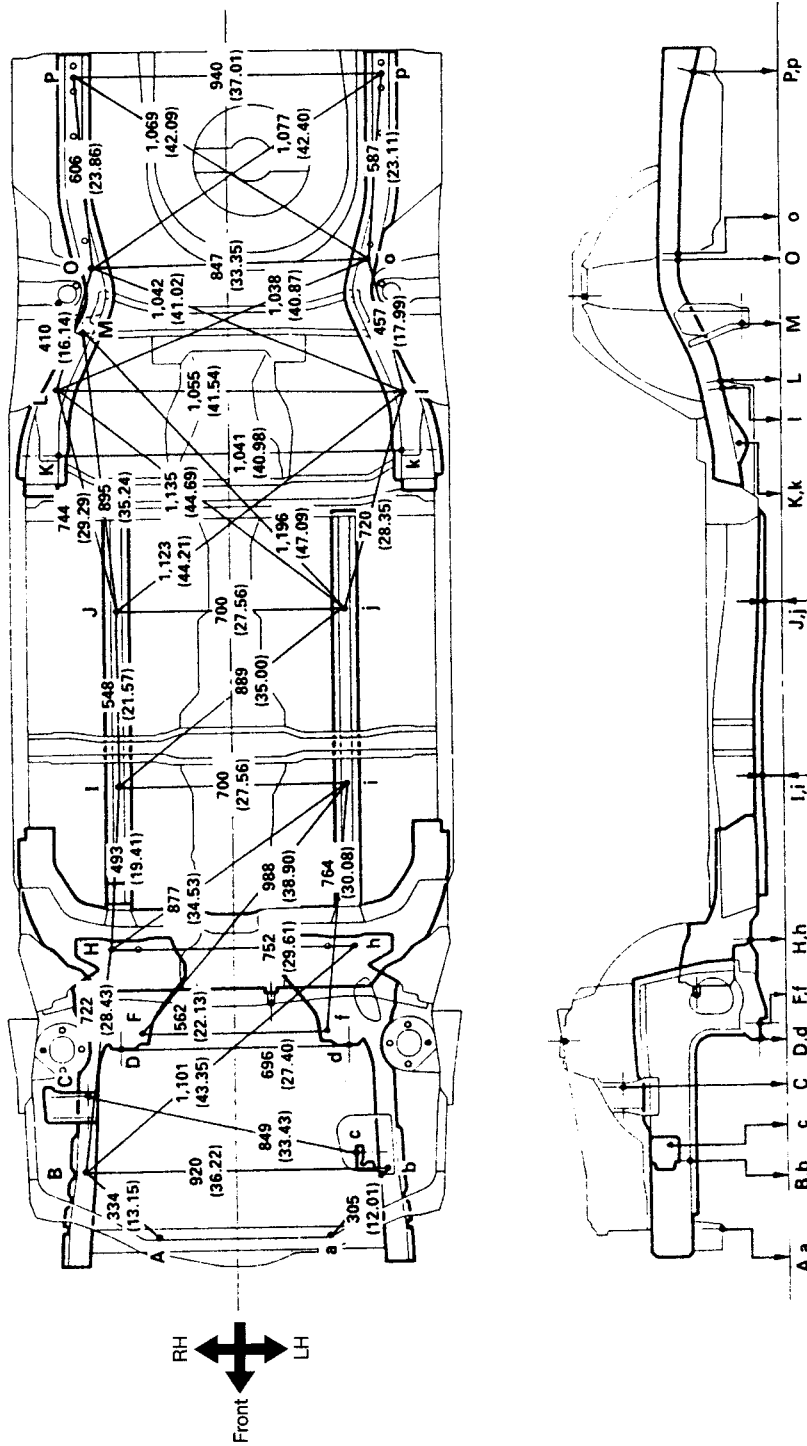
Symbol	Name	Hole dia.	Symbol	Name	Hole dia.
A, a	Roof panel / Quarter panel adjoining portion	-	E, e	Lower back reinforcement / Lower back panel adjoining portion	-
B, b	Upper back panel / Quarter panel adjoining portion	-	F, f	Quarter panel standard hole	10 (0.39)
C, c	Quarter panel / Upper back panel adjoining portion	-	G, g	Rear spring support hole - outer	9.9 (0.390)
D, d	Luggage opening trough / Lower back panel adjoining portion	-	H, h	Center body pillar assembly mark	-

mm (in.)

UNDER BODY

1995 TERCEL

(Three-Dimensional Distance)

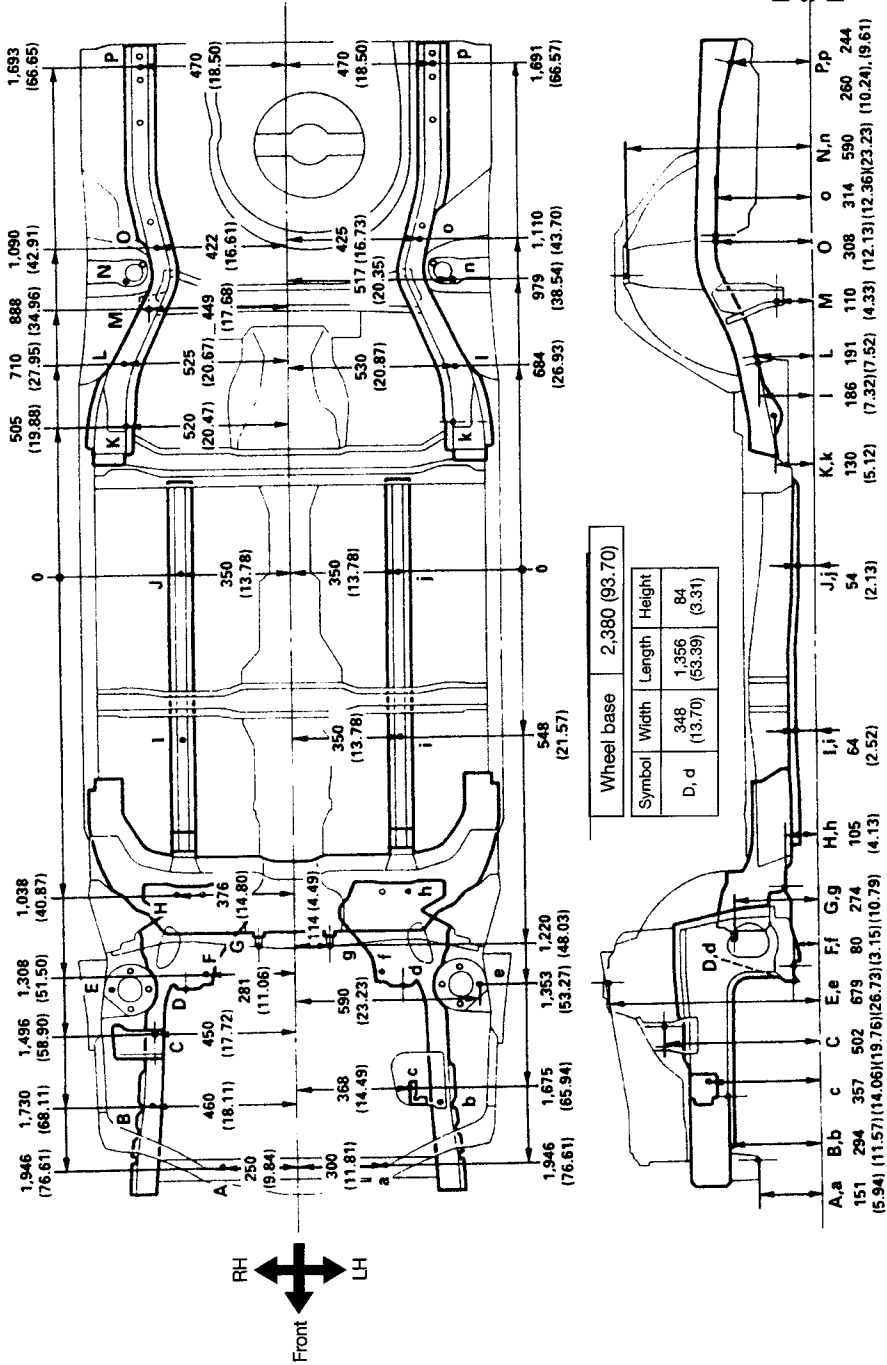


Symbol	Name	Hole dia.	Symbol	Name	Hole dia.
A, a	Engine under cover installation nut	6 (0.24) nut	I, i	Front floor under reinforcement standard hole	15 (0.59)
B, b	Front side member standard hole	15 (0.59)	J, j	Front floor under reinforcement standard hole	15 (0.59)
C	Engine mounting installation nut	10 (0.39) nut	K, k	Lower arm installation hole - inner	12 (0.47)
c	Engine mounting installation hole	16 (0.63)	L, l	Rear floor side member standard hole	15 (0.59)
D, d	Lower arm installation hole	12.5 (0.492)	M	Lateral rod installation hole - front	12 (0.47)
F, f	Front suspension lower brace installation hole	12.5 (0.492)	O, o	Rear floor side member standard hole	10 (0.39)
H, h	Lower arm installation nut	12 (0.47) nut	P, p	Rear floor side member standard hole	11 (0.43)

UNDER BODY (cont'd)

1995 TERCEL

(Two-Dimensional Distance)



Symbol	Name	Hole dia.	Symbol	Name	Hole dia.
A, a	Engine under cover installation nut	6 (0.24) nut	I, i	Front floor under reinforcement standard hole	15 (0.59)
B, b	Front side member standard hole	15 (0.59)	J, j	Front floor under reinforcement standard hole	15 (0.59)
C	Engine mounting installation nut	10 (0.39) nut	K, k	Lower arm installation hole - inner	12 (0.47)
c	Engine mounting installation hole	16 (0.63)	L, l	Rear floor side member standard hole	15 (0.59)
D, d	Lower arm installation hole	12.5 (0.492)	M	Lateral rod installation hole - front	12 (0.47)
E, e	Front spring support hole - outer	9.5 (0.374)	N, n	Rear spring support hole - outer	9.9 (0.390)
F, f	Front suspension lower brace installation hole	12.5 (0.492)	O, o	Rear floor side member standard hole	10 (0.39)
G, g	Steering gear box installation bolt	10 (0.39) nut	P, p	Rear floor side member standard hole	11 (0.43)
H, h	Lower arm installation nut	12 (0.47) nut	-	-	-