

# COLLISION REPAIR INFORMATION

## FOR THE TOYOTA DEALER

TITLE: PREVIA HOOD HINGE REPLACEMENT

PAGE 1 of 4

SECTION: EXTERIOR BULLETIN #56

MODELS: PREVIA

DATE: MARCH 1994



The following information outlines Previa hood hinge replacement: parts, tools and procedures.

### PARTS

The following parts will be necessary:

PART NUMBER	PART NAME	UNITS REQUIRED
53421-95000	HINGE ARM	1
64559-32010	HINGE PIN	1
90389-06007	HINGE BUSHING	2

### TOOLS

The following tools will be necessary:

1. Pin removal tool (it will be necessary to make this tool from 8mm bar stock) as outlined in figure A.

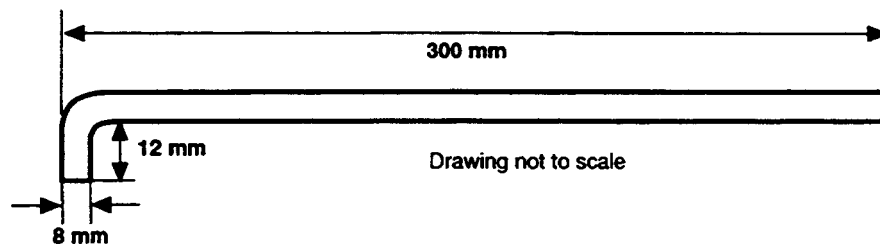


Figure A.

2. 5/16" Pin punch.
3. Brass hammer, dead shot hammer, soft face hammer or equivalent.
4. Safety gloves, goggles or face shield.

**REPLACEMENT PROCEDURE**

1. Insert "L" shaped (pin removal) tool into the square hole of the hinge base and tap lightly to unseat the pin. See figure B.

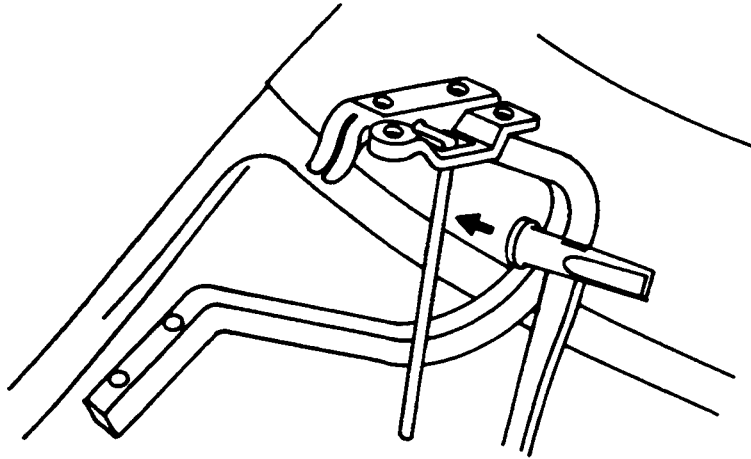


Figure B.

2. Using a pin punch, strike the exposed head to complete pin removal. See figure C.

**CAUTION:** Do not deform the hinge base plate.

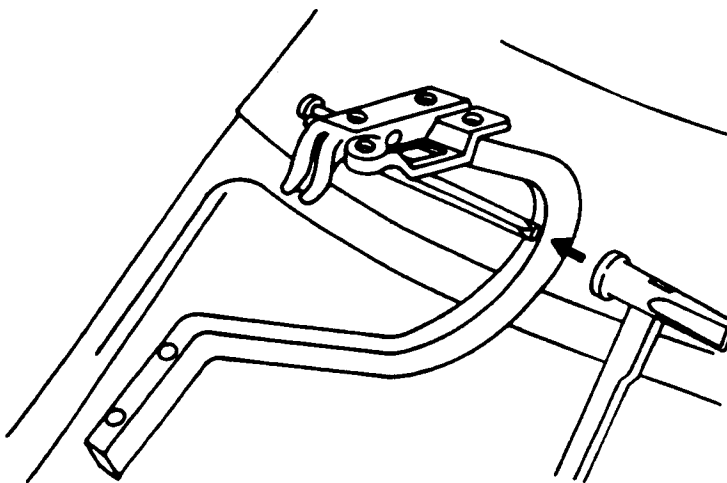


Figure C.

3. Remove and replace hinge pin bushings (2).
4. Replace hinge arm.
5. Install the new hinge arm (painted body color).
6. Using light finger pressure, push the new pin into the new bushing by hand from the inside (looking at the vehicle from the front). This is the opposite direction from the original installation. See figure D.

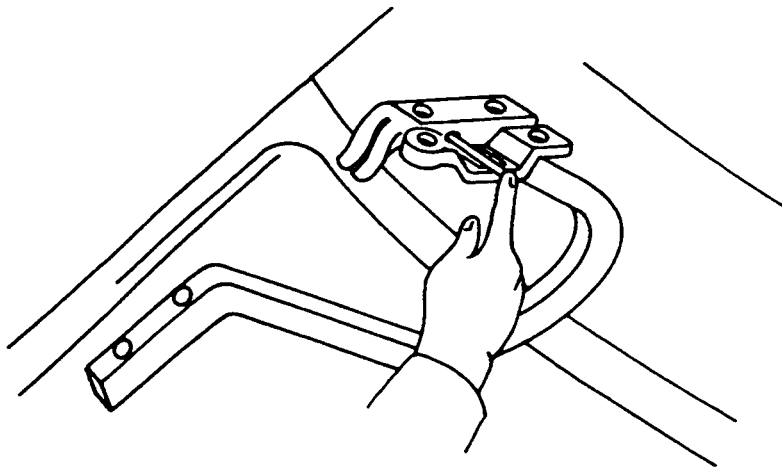


Figure D.

7. Finish seating the pin in the new bushings using the pin punch. See figure E.

**CAUTION:** Do not damage the new bushings or pin. This will affect the smooth operation of the hinge. See figure E.

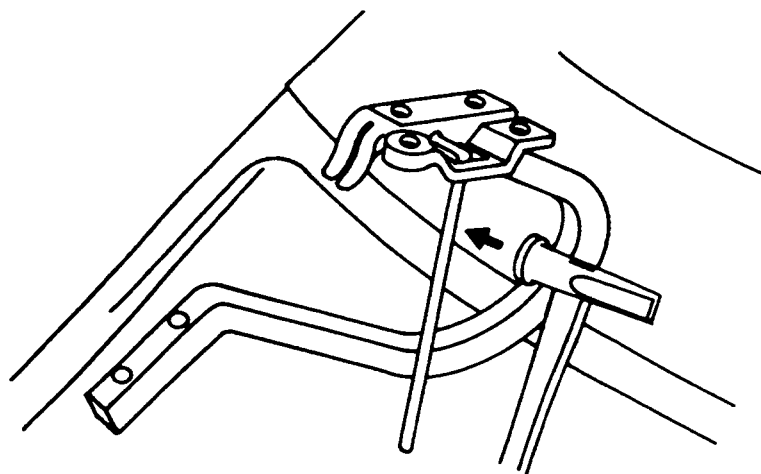


Figure E.

8. Align the hood for correct fender to hood gap.
9. Verify smooth operation by opening and closing the hood.
10. Repeat the process for the opposite side hood hinge as necessary.

For additional information consult the Previa repair manual or the Previa Repair Manual For Collision Damage part number BRM027E.