

COLLISION REPAIR INFORMATION

FOR THE TOYOTA DEALER

TITLE: 1994 CAMRY COUPE AND CELICA
BODY DIMENSIONS

PAGE 1 of 14

SECTION: STRUCTURAL REPAIR BULLETIN #51

MODELS: CAMRY COUPE AND CELICA

DATE: FEBRUARY 1994



Professional unibody repairs demand restoration to original body measurements. To aid technicians in the repair process, Toyota uses specific body alignment points.

Replacement panels also have these same points. The re-alignment of original parts or installation of an OEM replacement part is best accomplished using the attached specifications.

This bulletin provides an additional resource for measurement on the 1994 Camry Coupe and Celica.

The following information provides dimensions for:

- Upperbody (engine compartment)
- Side body (body opening)
- Underbody (platform)
- Suspension crossmember (front)

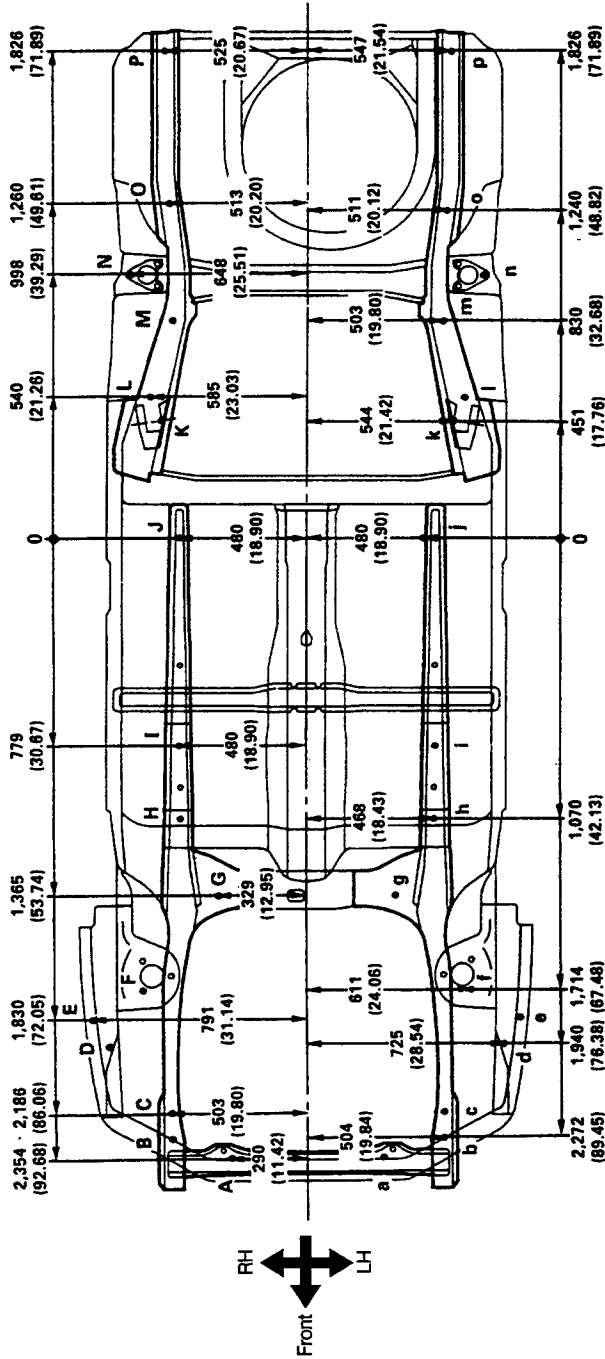
NOTE: PLEASE ROUTE THIS BULLETIN TO YOUR BODY SHOP MANAGER

(cont'd)

UNDERBODY

(Two-Dimensional Distance)

1994 CAMRY



Symbol	Name	Hole dia.	Symbol	Name	Hole dia.
A, a	Front crossmember standard hole	10 (0.39)	I, i	Front side member working hole	15 (0.59)
B, b	Suspension crossmember installation nut	14 (0.55) nut	J, j	Front floor under reinforcement working hole	15 (0.59)
C, c	Front side member standard hole	18 (0.71)	K, k	Strut bar installation hole - inner	12 (0.47)
D, d	Front airbag sensor installation nut	8 (0.31) nut	L, l	Rear floor side member standard hole	18 (0.71)
E, e	Front airbag sensor installation nut	8 (0.31) nut	M, m	Rear suspension member installation nut	14 (0.55) nut
F, f	Front spring support hole outer - front	11 (0.43)	N, n	Rear spring support hole - outer	9.5 (0.374)
G, g	Suspension crossmember installation nut	14 (0.55) nut	O, o	Rear floor side member standard hole	18 (0.71)
H, h	Front side member standard hole	18 (0.71)	P, p	Rear floor side member standard hole	18 (0.71)

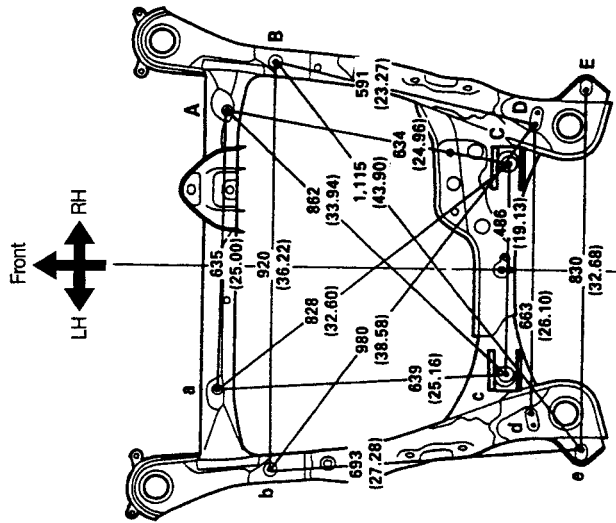
Symbol	Name	mm (in.)
A, a	181 (7.13)	181 (7.13)
B, b	201 (7.91)	201 (7.91)
C, c	232 (9.13)	232 (9.13)
D, d	620 (24.41)	620 (24.41)
E, e	637 (25.08)	637 (25.08)
F, f	718 (28.27)	718 (28.27)
G, g	109 (4.29)	109 (4.29)
H, h	25 (0.98)	25 (0.98)
I, i	24 (0.94)	24 (0.94)
J, j	22 (0.87)	22 (0.87)
K, k	117 (4.61)	117 (4.61)
L, l	151 (5.94)	151 (5.94)
M, m	264 (10.39)	264 (10.39)
N, n	742 (29.21)	742 (29.21)
O, o	277 (10.91)	277 (10.91)
P, p	251 (9.88)	251 (9.88)

(cont'd)

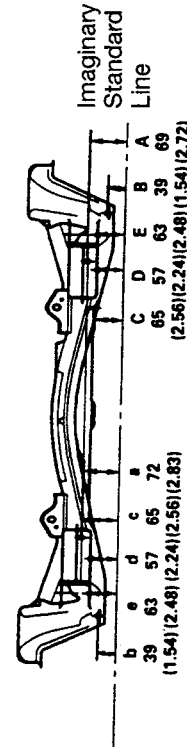
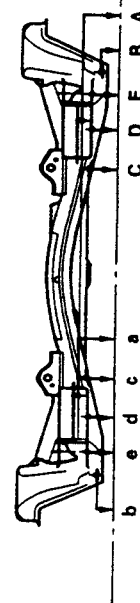
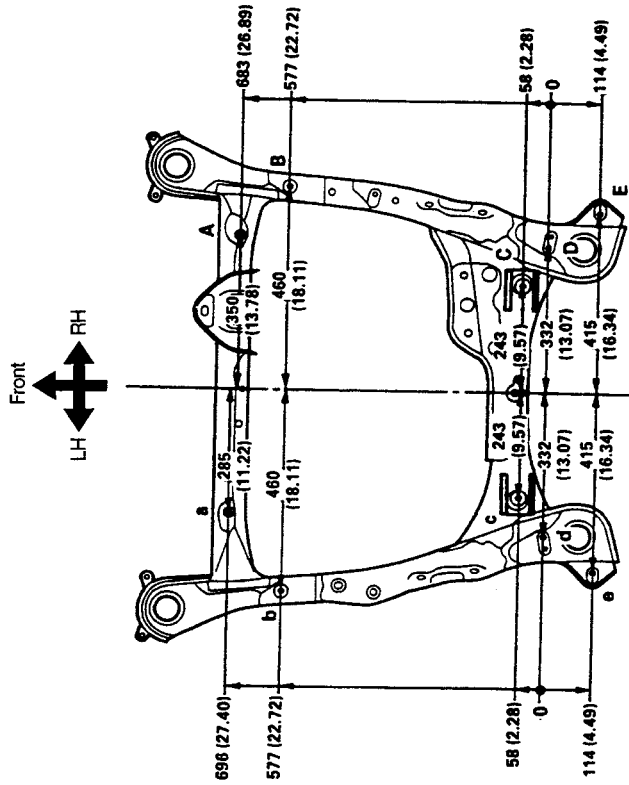
SUSPENSION CROSSMEMBER

1994 CAMRY

(Three-Dimensional Distance)



(Two-Dimensional Distance)



Symbol	Name	Hole dia.	Symbol	Name	Hole dia.
A, a	Suspension crossmember standard hole	13 (0.51)	D, d	Suspension crossmember standard hole	13 (0.51)
B, b	Suspension crossmember standard hole	13 (0.51)	E, e	Lower control link installation hole - lower	15 (0.59)
C, c	Suspension crossmember standard hole	13 (0.51)	-	-	-

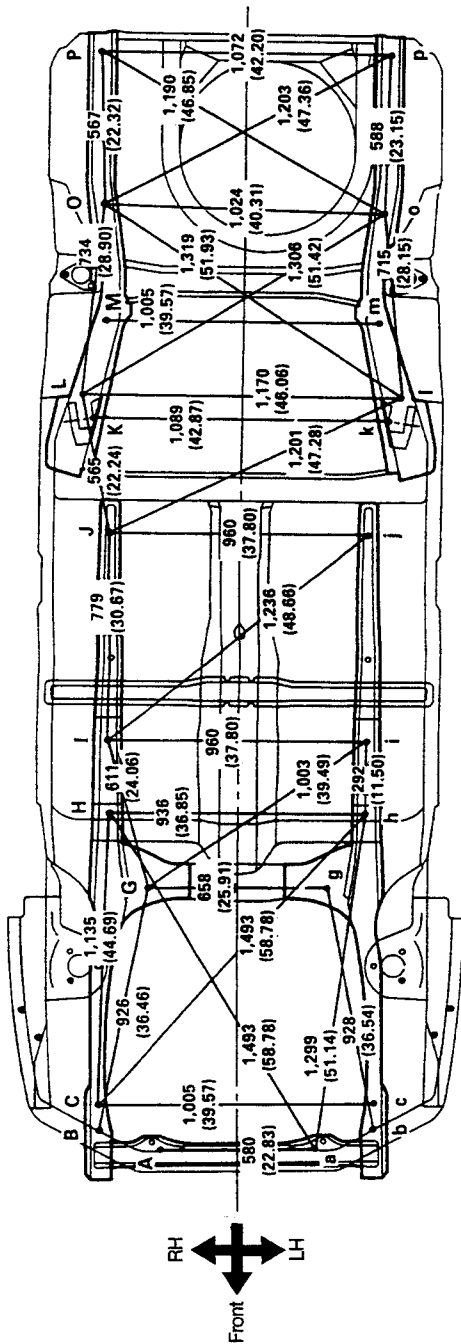
mm (in.)

(cont'd)

UNDERBODY

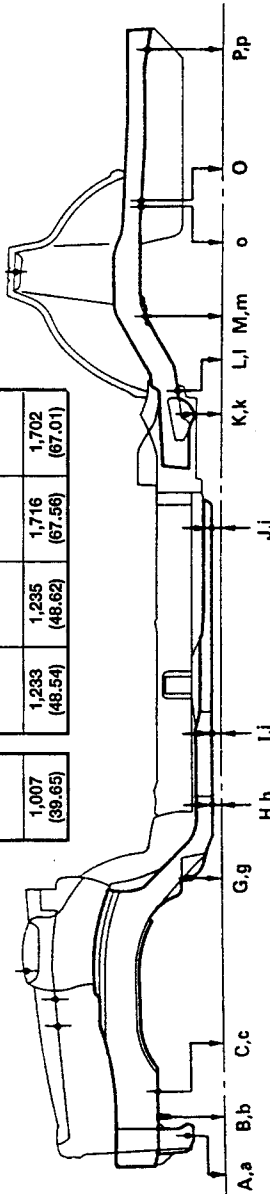
(Three-Dimensional Distance)

1994 CAMRY



Vehicle Dimensions Left ↔ Right

B - b	1,007 (39.65)	B - g	1,233 (48.54)	b - G	1,235 (48.62)	L - p	1,716 (67.56)	I - P	1,702 (67.01)
-------	------------------	-------	------------------	-------	------------------	-------	------------------	-------	------------------



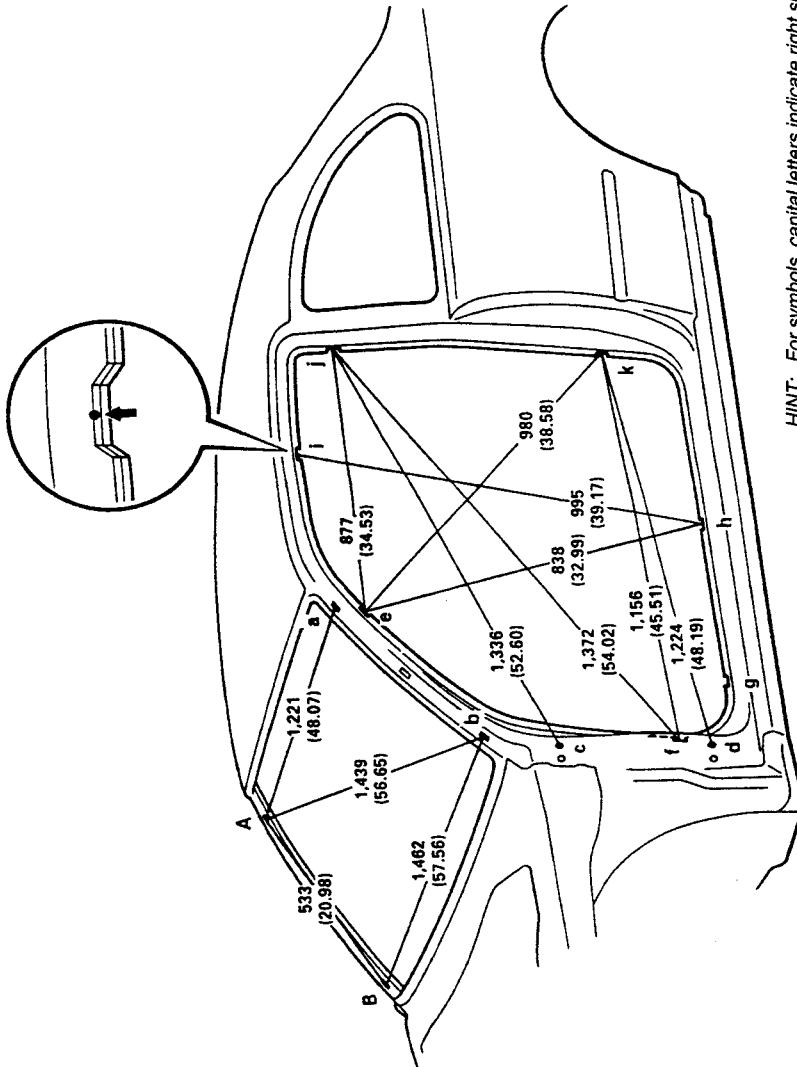
Symbol	Name	Hole dia.	Symbol	Name	Hole dia.
A, a	Front crossmember standard hole	10 (0.39)	J, j	Front floor under reinforcement working hole	15 (0.59)
B, b	Suspension crossmember installation nut	14 (0.55) nut	K, k	Strut bar installation hole - inner	12 (0.47)
C, c	Front side member standard hole	18 (0.71)	L, l	Rear floor side member standard hole	18 (0.71)
G, g	Suspension crossmember installation nut	14 (0.55) nut	M, m	Rear suspension member installation nut	12 (0.47) nut
H, h	Front side member standard hole	18 (0.71)	O, o	Rear floor side member standard hole	18 (0.71)
I, i	Front side member working hole	15 (0.59)	P, p	Rear floor side member standard hole	18 (0.71)

(cont'd)

BODY OPENING AREAS

(Three-Dimensional Distance)

1994 CAMRY



Vehicle Dimensions Left ↔ Right

E - e	F - f	G - g	H - h	I - i	J - j	K - k
1,288 (50.71)	1,468 (57.80)	1,492 (58.74)	1,492 (58.74)	1,120 (44.09)	1,284 (50.55)	1,480 (58.27)

E - f or e - F	E - h or e - H	E - j or e - J	F - j or f - J	F - k or f - K	G - h or g - H	H - i or h - I	H - j or h - J	J - k or J - K
1,542 (60.71)	1,620 (63.78)	1,557 (61.30)	1,941 (76.42)	1,873 (73.74)	1,558 (61.34)	1,632 (64.25)	1,712 (67.40)	1,493 (58.78)

mm (in.)

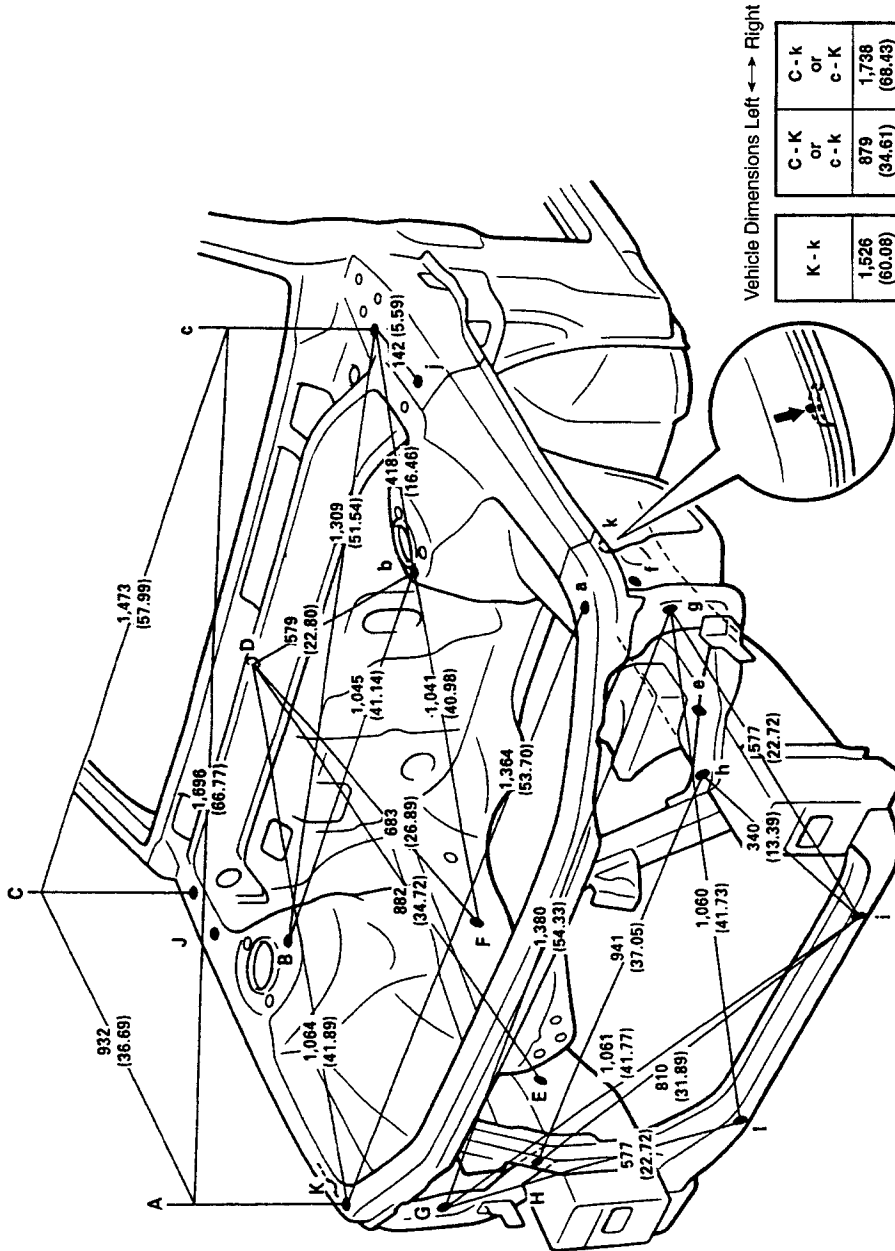
Symbol	Name	Hole dia.	Symbol	Name	Hole dia.
A, a	Windshield moulding installation hole	7 x 7 (0.28 x 0.28)	G, g	Rocker panel assembly mark	-
B, b	Windshield moulding installation hole	7 x 7 (0.28 x 0.28)	H, h	Rocker panel assembly mark	-
C, c	Front door hinge installation nut - rear	10 (0.39) nut	I, i	Roof side rail assembly mark	-
D, d	Front door hinge installation nut - rear	10 (0.39) nut	J, j	Quarter panel assembly mark	-
E, e	Front body pillar assembly mark	-	K, k	Quarter panel assembly mark	-
F, f	Front body pillar assembly mark	-	-	-	-

(cont'd)

ENGINE COMPARTMENT

(Three-Dimensional Distance)

1994 CAMRY



HINT: For symbols, capital letters indicate right side of vehicle, small letters indicate left side of vehicle (seen from rear).

Symbol	Name	Hole dia.	Symbol	Name	Hole dia.
A, a	Front fender installation nut	6 (0.24) nut	G, g	Radiator support standard hole	10 (0.39)
B, b	Front spring support hole - inner	11 (0.43)	H, h	Radiator support standard hole	10 (0.39)
C, c	Hood stopper installation nut	6 (0.24) nut	I, i	Front crossmember standard hole	12 (0.47)
D	Cowl top panel center mark	-	J, j	Cowl top side panel standard hole	10 (0.39)
E, e	Front side member standard hole	13 (0.51)	K, k	Front apron to cowl side member cut-out portion	-
F, f	Front side member working hole	15 (0.59)	-	-	-

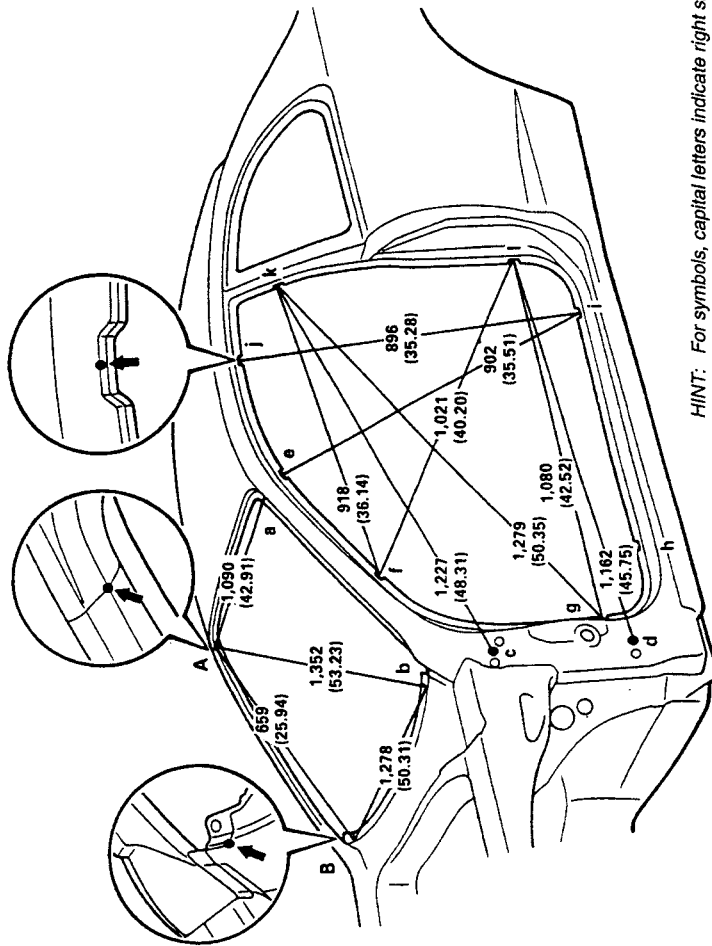
mm (in.)

(cont'd)

BODY OPENING AREAS

(Three-Dimensional Distance)

1994 CELICA



HINT: For symbols, capital letters indicate right side of vehicle, small letters indicate left side of vehicle (seen from rear).

Vehicle Dimensions Left ↔ Right

E - e	F - f	G - g	H - h	I - i	J - j	K - k	L - l
1,135 (44.69)	1,339 (52.72)	1,464 (57.64)	1,466 (57.72)	1,466 (57.72)	1,037 (40.83)	1,196 (47.09)	1,460 (57.48)

E - g or e - G	F - h or f - H	F - k or f - K	G - l or g - L	H - i or h - I	I - j or i - J	I - k or i - K	K - l or k - L
1,569 (61.77)	1,538 (60.55)	1,564 (61.57)	1,817 (71.54)	1,626 (64.02)	1,524 (60.00)	1,547 (60.91)	1,466 (57.72)

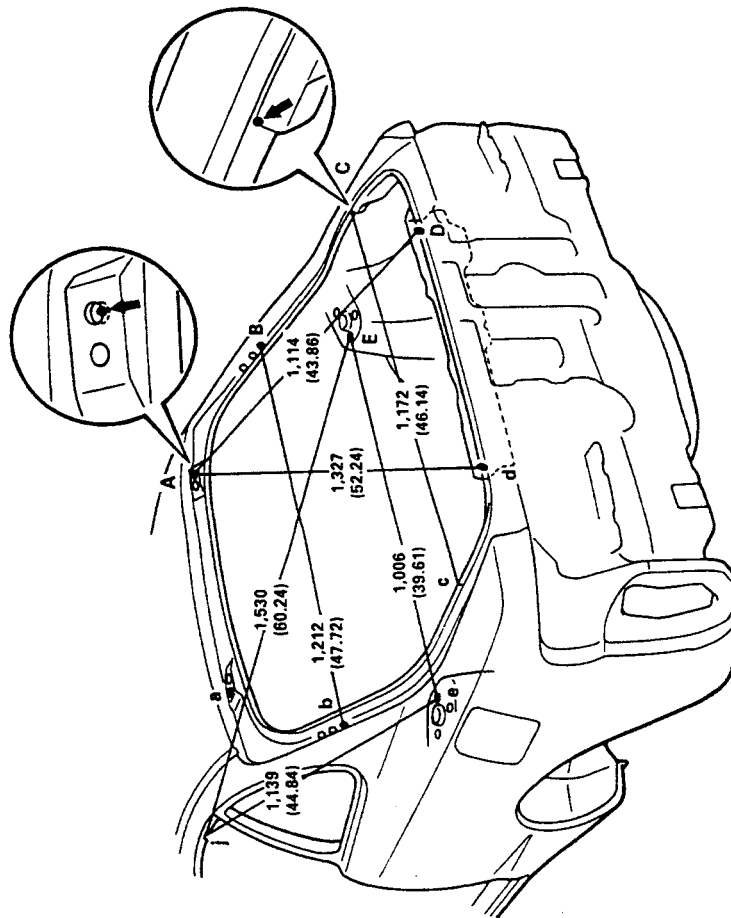
Symbol	Name	Hole dia.	Symbol	Name	Hole dia.
A, a	Roof panel / Front body pillar adjoining portion	-	G, g	Front body pillar assembly mark	-
B, b	Cowl top outer panel outside radius corner	-	H, h	Rocker panel assembly mark	-
C, c	Front door hinge installation nut	8 (0.31) nut	I, i	Rocker panel assembly mark	-
D, d	Front door hinge installation nut	8 (0.31) nut	J, j	Roof side rail assembly mark	-
E, e	Front body pillar assembly mark	-	K, k	Quarter panel assembly mark	-
F, f	Front body pillar assembly mark	-	L, l	Quarter panel assembly mark	-

(cont'd)

BODY OPENING AREAS (cont'd)

(Three-Dimensional Distance)

1994 CELICA (liftback)



HINT: For symbols, capital letters indicate right side of vehicle, small letters indicate left side of vehicle (seen from rear).

Symbol	Name	Hole dia.	Symbol	Name	Hole dia.
A, a	Back door hinge installation hole – outer: rear side	13 (0.51)	D, d	Body lower back panel reinforcement standard hole	10 (0.39)
B, b	Back door stay installation nut – rear	6 (0.24) nut	E, e	Rear spring support hole – inner	9.5 (0.374)
C, c	Back door opening reinforcement / Quarter panel adjoining portion	–	J, j	Roof side rail assembly mark	–

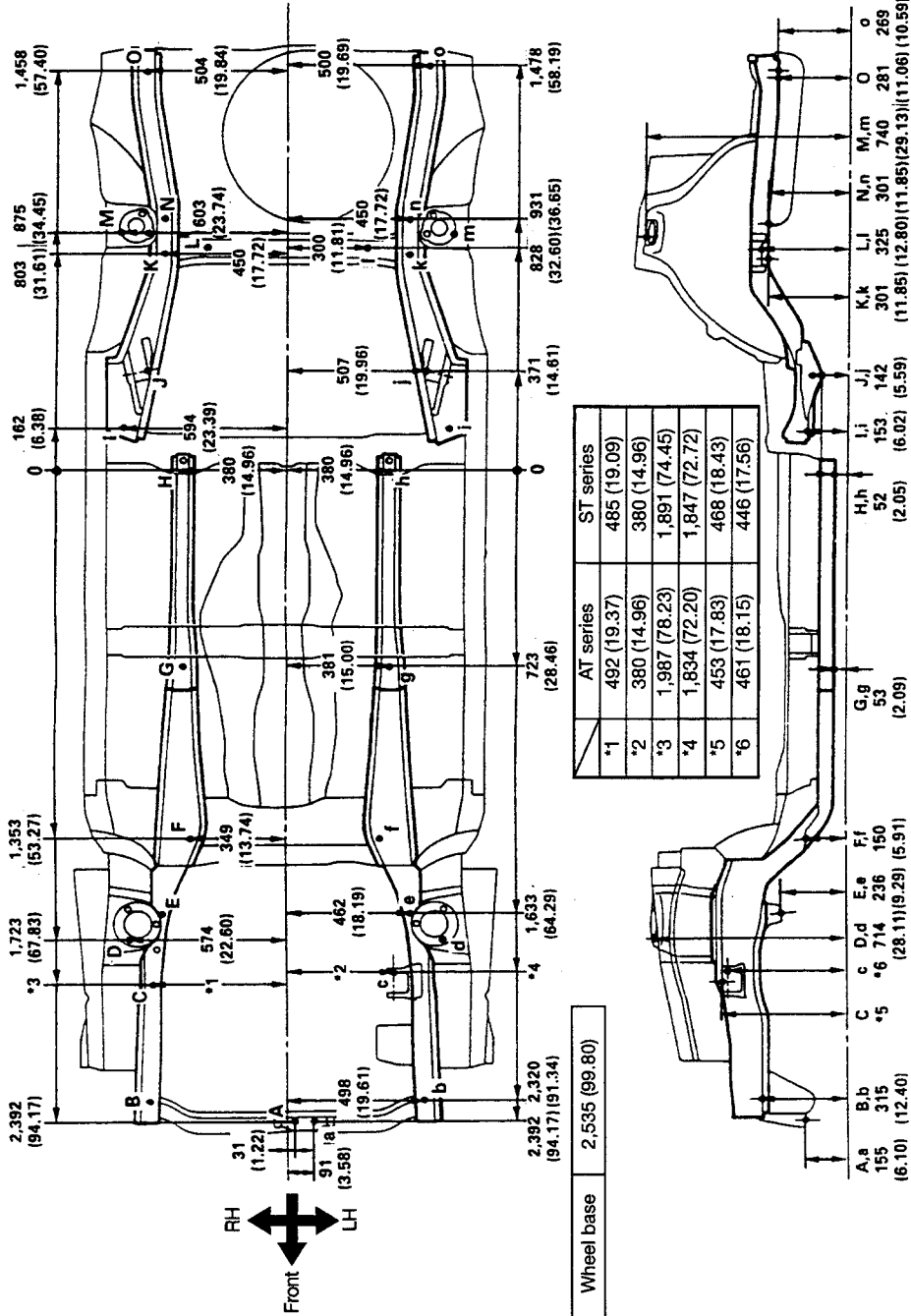
mm (in.)

(cont'd)

UNDERBODY

(Two-Dimensional Distance)

1994 CELICA



Wheel base 2,535 (99.80)

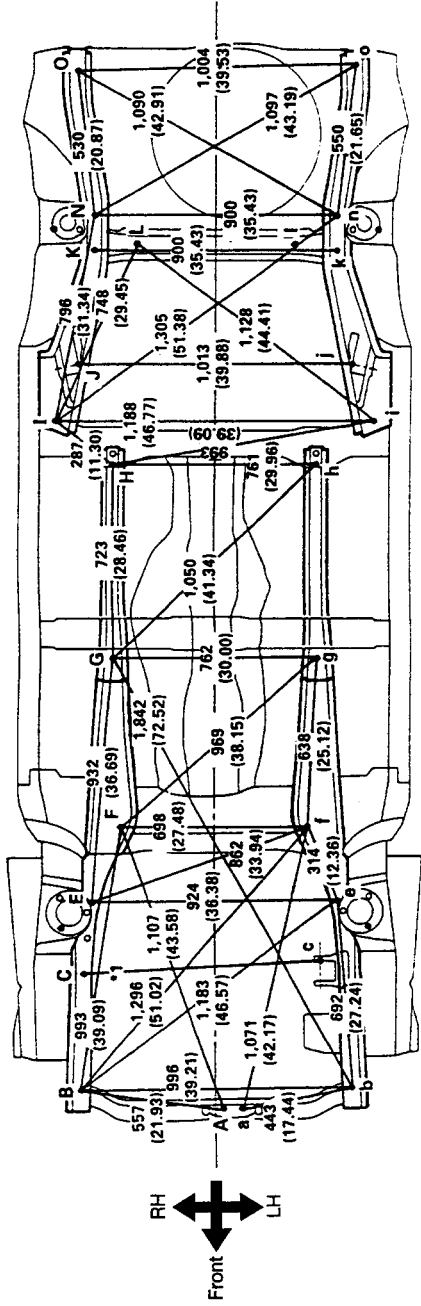
Imaginary Standard Line
mm (in.)

(cont'd)

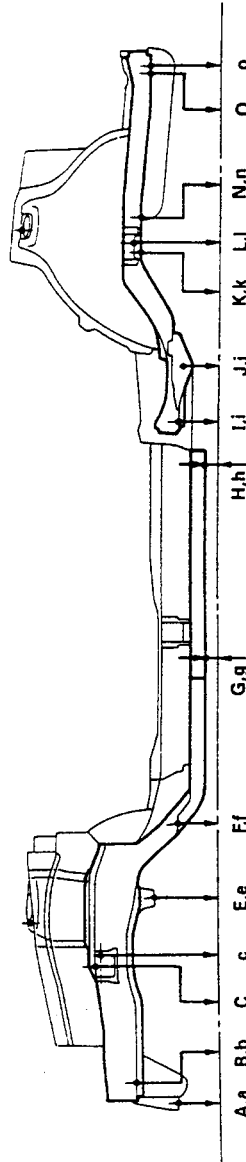
UNDERBODY (cont'd)

(Three-Dimensional Distance)

1994 CELICA



*1	AT series	885 (34.84)	ST series	867 (34.13)
----	-----------	-------------	-----------	-------------



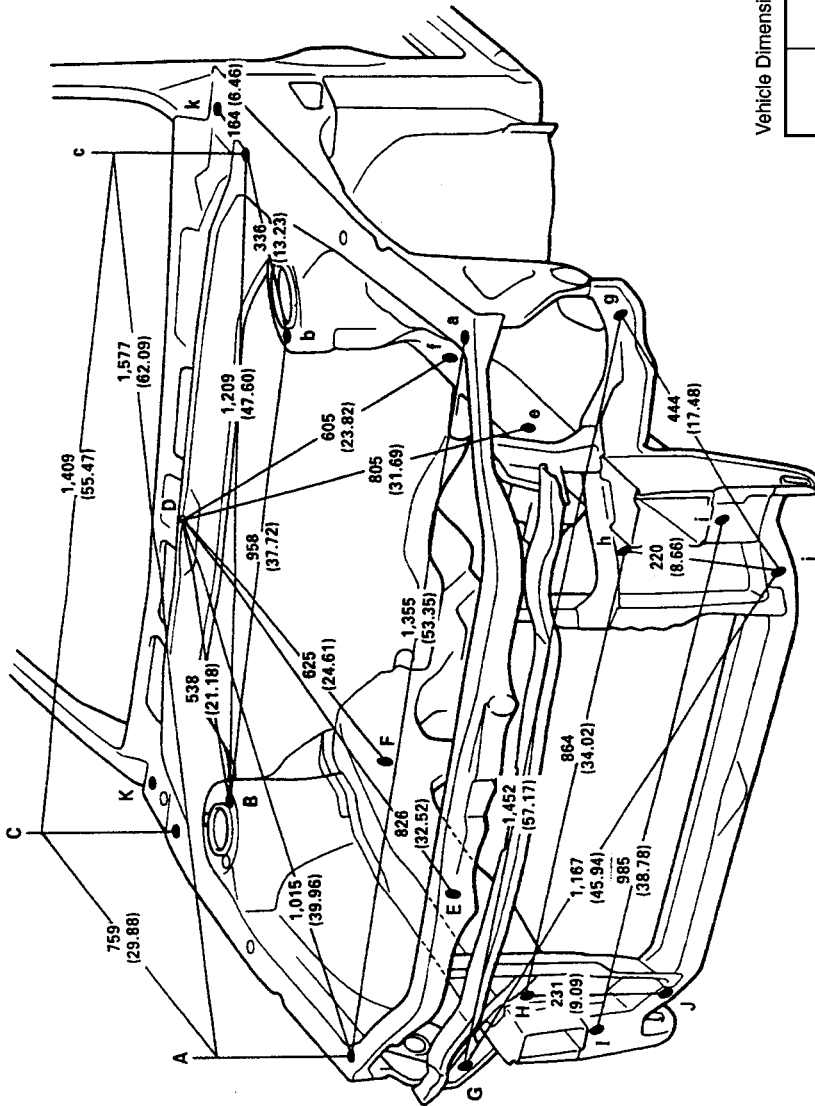
Symbol	Name	Hole dia.	Symbol	Name	Hole dia.
A, a	Engine mounting member installation nut	8 (0.31) nut	H, h	Front floor under reinforcement standard hole	15 (0.59)
B, b	Front side member working hole	18 (0.71)	I, i	Rear floor side member standard hole	15 (0.59)
C	Engine mounting installation nut - front	10 (0.39) nut	J, j	Strut bar installation hole - inner	12 (0.47)
c	Engine mounting bracket hole - rear	11.5 (0.453)	K, k	Rear suspension member installation hole	18 (0.71)
E, e	Front suspension crossmember installation nut	14 (0.55) nut	L, l	Rear floor crossmember standard hole	10 (0.39)
F, f	Front suspension crossmember installation nut	14 (0.55) nut	N, n	Rear suspension member installation hole	19.5 (0.768)
G, g	Front floor under reinforcement standard hole	13 (0.51)	O, o	Rear floor side member standard hole	15 (0.59)

(cont'd)

ENGINE COMPARTMENT

(Three-Dimensional Distance)

1994 CELICA



Vehicle Dimensions Left ↔ Right

B - f	b - F	H - J	h - J
957 (37.66)	969 (38.15)	875 (34.45)	849 (33.43)

mm (in.)

HINT: For symbols, capital letters indicate right side of vehicle, small letters indicate left side of vehicle (seen from rear).

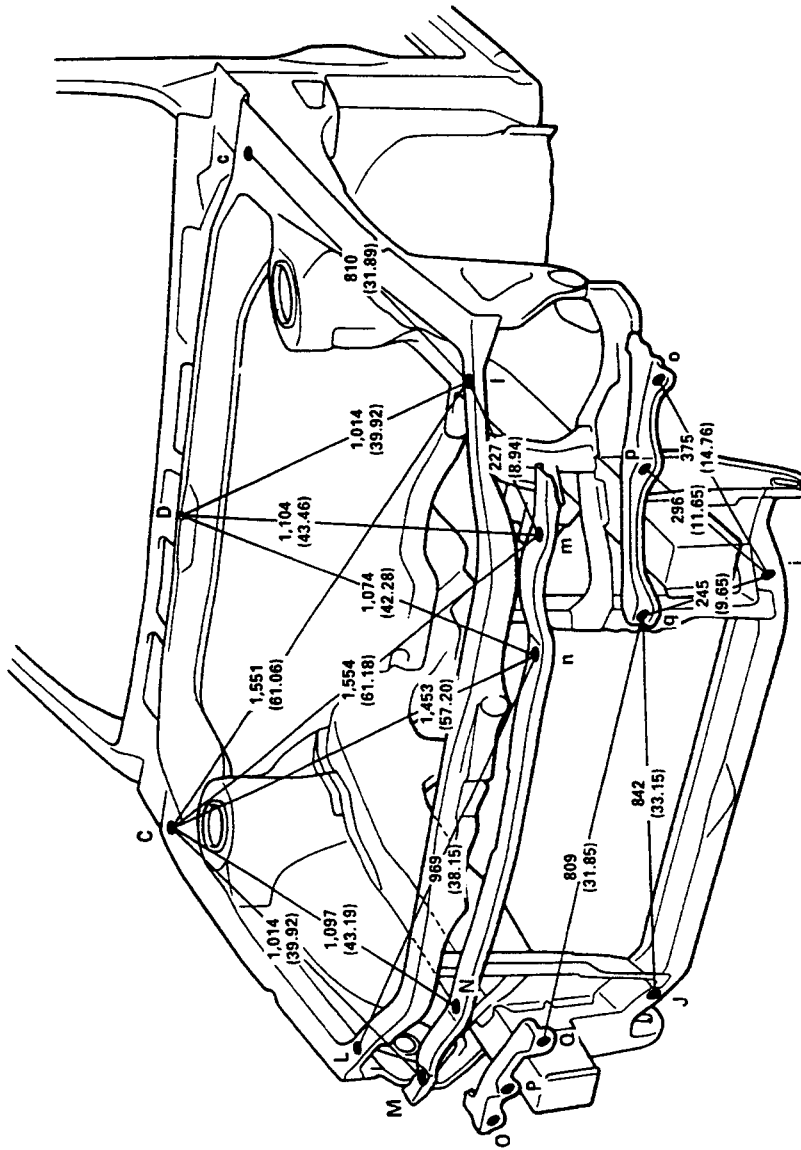
Symbol	Name	Hole dia.	Symbol	Name	Hole dia.
A, a	Front fender installation nut	6 (0.24) nut	f	Front side member working hole	18 (0.71)
B, b	Front spring support hole - inner	11 (0.43)	G, g	Front fender installation nut	6 (0.24) nut
C, c	Front fender installation nut	6 (0.24) nut	H, h	Radiator support standard hole	10 (0.39)
D	Cowl top panel center mark	-	I, i	Front side member gusset standard hole	10 (0.39)
E	Front side member standard hole	18 (0.71)	J, j	Sub-radiator installation nut	6 (0.24) nut
e	Battery clamp bolt installation hole	10 (0.39)	K, k	Hood hinge installation nut - rear	8 (0.31) nut
F	Front side member standard hole	18 (0.71)	-	-	-

(cont'd)

ENGINE COMPARTMENT (cont'd)

(Three-Dimensional Distance)

1994 CELICA



HINT: For symbols, capital letters indicate right side of vehicle, small letters indicate left side of vehicle (seen from rear).

Symbol	Name	Hole dia.	Symbol	Name	Hole dia.
C, c	Front fender installation nut	6 (0.24) nut	N, n	Headlight installation nut	6 (0.24) nut
D	Cowl top panel center mark	-	O, o	Headlight installation nut	6 (0.24) nut
J, j	Sub-radiator installation nut	6 (0.24) nut	P, p	Headlight installation nut	6 (0.24) nut
L, l	Headlight installation nut	6 (0.24) nut	Q, q	Headlight installation nut	6 (0.24) nut
M, m	Headlight installation nut	6 (0.24) nut	--	--	--

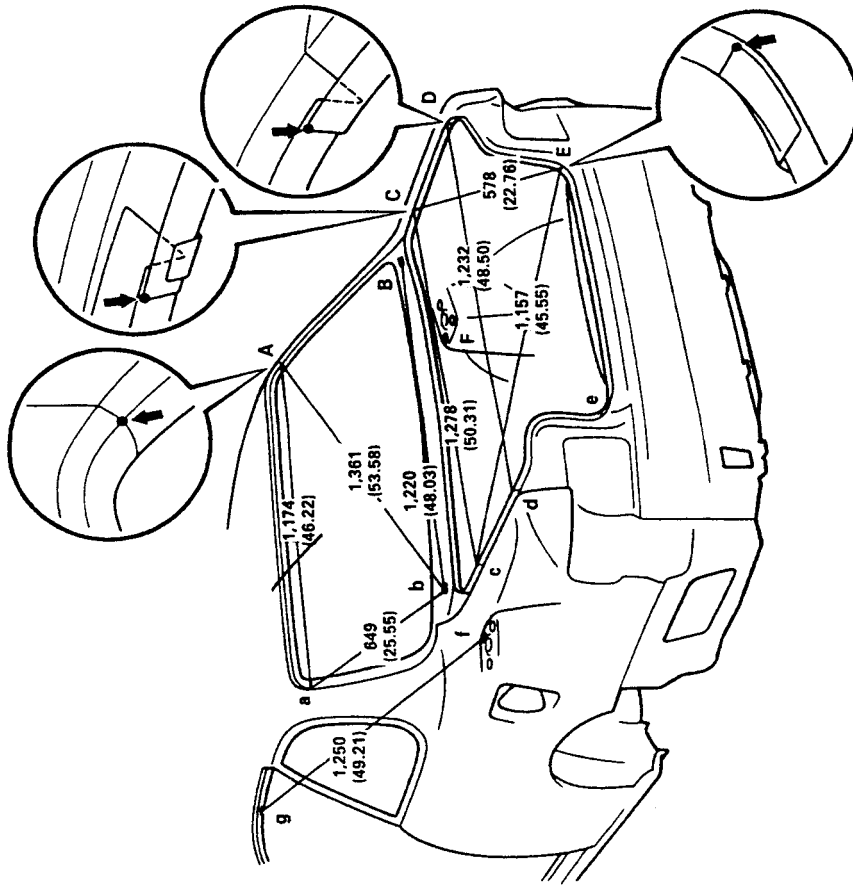
mm (in.)

(cont'd)

BODY OPENING

(Three-Dimensional Distance)

1994 CAMRY



Vehicle Dimensions
Left ↔ Right

F - f	1,110 (43.70)
F - g or f - G	1,675 (65.94)

mm (in.)

HINT: For symbols, capital letters indicate right side of vehicle, small letters indicate left side of vehicle (seen from rear).

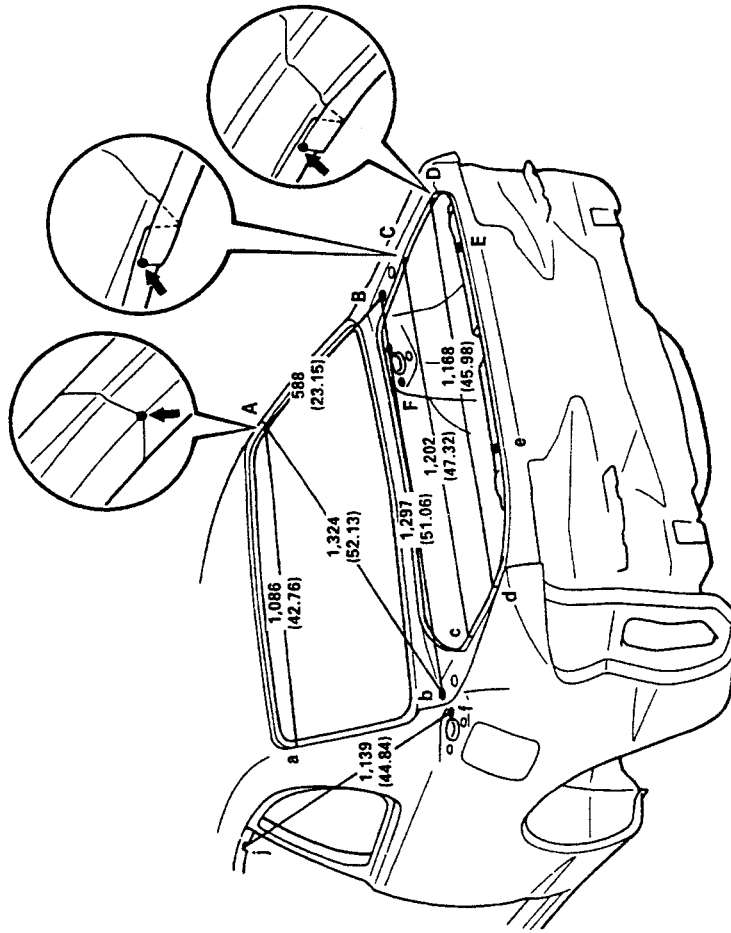
Symbol	Name	Hole dia.	Symbol	Name	Hole dia.
A, a	Roof panel / Quarter panel adjoining portion	-	E, e	Quarter panel extension / Quarter panel end housing adjoining portion	-
B, b	Back window moulding installation hole	11 x 7 (0.43 x 0.28)	F, f	Rear spring support hole - front	9.5 (0.374)
C, c	Quarter panel / Upper back panel adjoining portion	-	G, g	Roof side rail assembly mark	-
D, d	Quarter panel end housing / Quarter panel adjoining portion	-	-	-	-

(cont'd)

BODY OPENING (cont'd)

(Three-Dimensional Distance)

1994 CELICA



Vehicle Dimensions Left ↔ Right

F - f	C - e or c - e	F - j or f - j	C - E or c - e
1,006 (39.61)	992 (39.06)	1,530 (60.24)	488 (19.21)

mm (in.)

HINT: For symbols, capital letters indicate right side of vehicle, small letters indicate left side of vehicle (seen from rear).

Symbol	Name	Hole dia.	Symbol	Name	Hole dia.
A, a	Roof panel / Quarter panel adjoining portion	-	E, e	Body lower back panel standard hole	8 (0.31)
B, b	Luggage door hinge installation nut - front	8 (0.31) nut	F, f	Rear spring support hole - inner	9.5 (0.374)
C, c	Quarter panel / Upper back panel adjoining portion	-	J, j	Roof side rail assembly mark	-
D, d	Luggage opening trough / Quarter panel adjoining portion	-	-	-	-