

COLLISION REPAIR INFORMATION

FOR THE TOYOTA DEALER

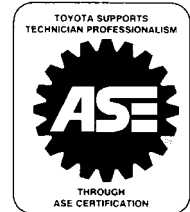
TITLE: BODY DIMENSIONS, PAINT CODES
AND GRAPHICS

PAGE 1 of 7

SECTION: STRUCTURAL REPAIR BULLETIN #36

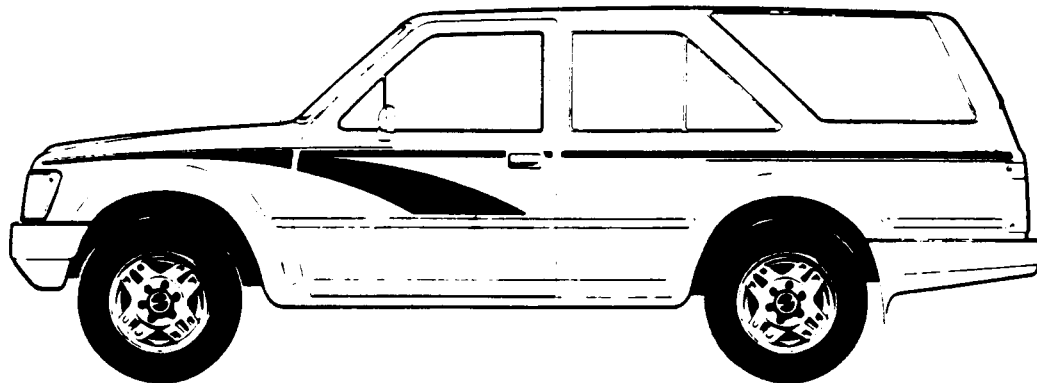
MODELS: 1990 4RUNNER

DATE: MAY 1989

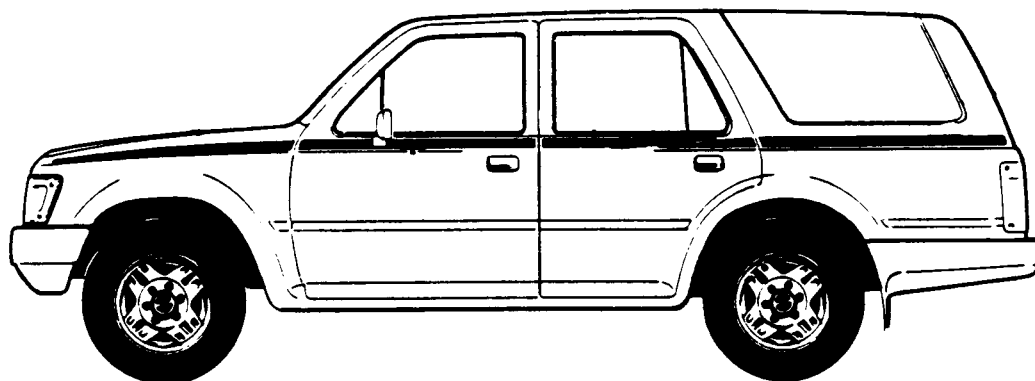


The all new 1990 4Runner will be available in both 2-door and 4-door versions. Attached for your reference are the graphics exterior paint codes and body dimensions for both versions.

1990 2 DOOR/4 RUNNER GRAPHIC Positioning/Alignment



1990 4 DOOR/4 RUNNER GRAPHIC Positioning/Alignment

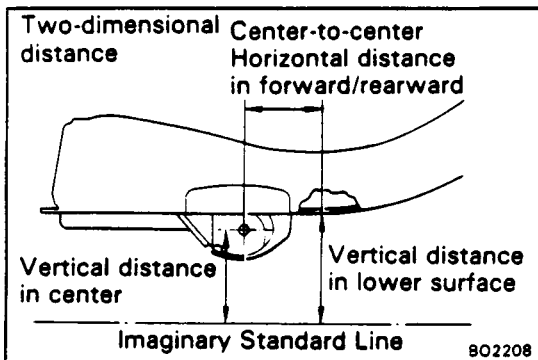
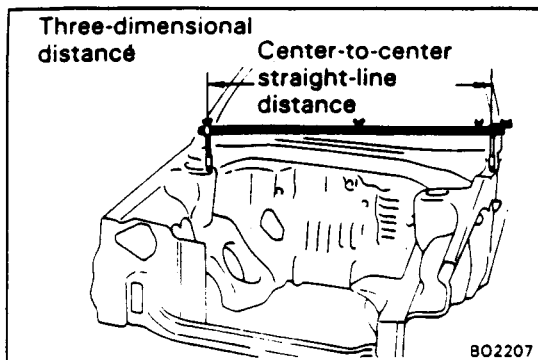


(cont'd)

1990 4 RUNNER PAINT AND TRIM CODES

EXTERIOR		SR5/SR5 V6 FABRIC	ANTI-CHIP PROTECTOR
045	White	Gray or Blue	White
3H7	Cardinal Red	Gray or Beige	Red
202	Black	Gray	Black
179	Dark Gray Metallic	Gray	Black
147	Silver Metallic	Gray	Silver
3H4	Medium Red Pearl	Gray or Red	Red
4K4	Medium Brown Metallic	Beige	Black
4J8	Sandalwood	Beige	Sandalwood
6J7	Forest Green Metallic	Gray or Beige	Black
8E3	Dark Blue Pearl	Blue	Blue
8D8	Light Blue Metallic	Blue	Blue
28L (3H4/138)	Medium Red Pearl/ Gray Metallic Two-Tone	Gray or Red	Gray

(cont'd)



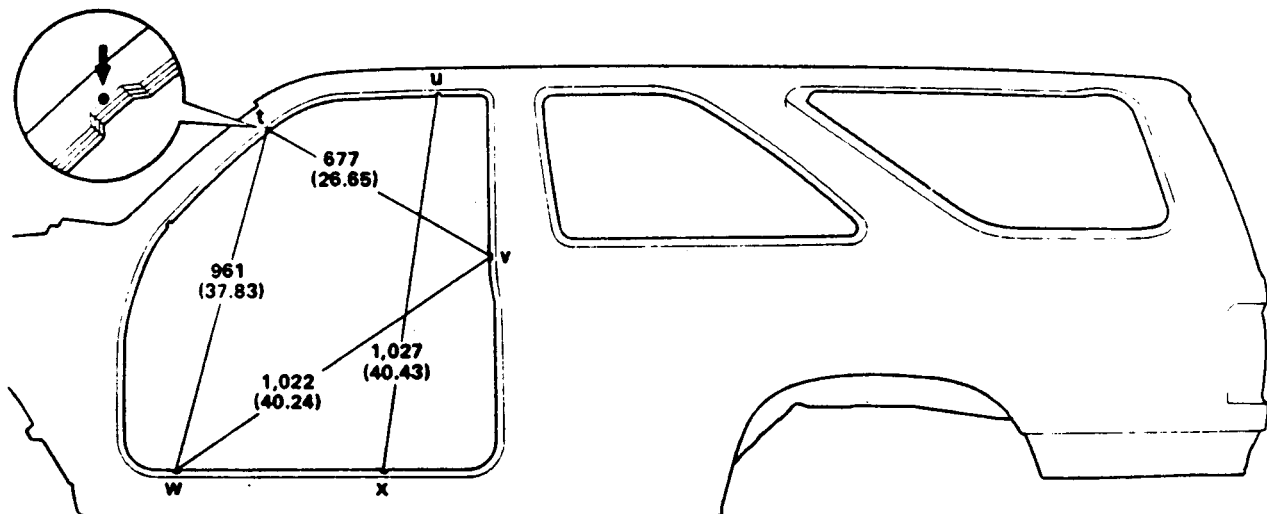
BODY DIMENSIONS

General Information

1. BASIC DIMENSIONS

- (a) There are two types of dimensions in the diagram.
 (Three-dimensional distance)
- Straight-line distance between the centers of two measuring points
- (Two-dimensional distance)
- Horizontal distance in forward/rearward between the centers of two measuring points
 - The height from an imaginary standard line
- (b) In cases in which only one dimension is given, left and right are symmetrical.
- (c) The dimensions in the following drawing indicate actual distance. Therefore, please use the dimensions as a reference.

THREE-DIMENSIONAL DISTANCE Side View (2 Door)



803718
mm (in.)

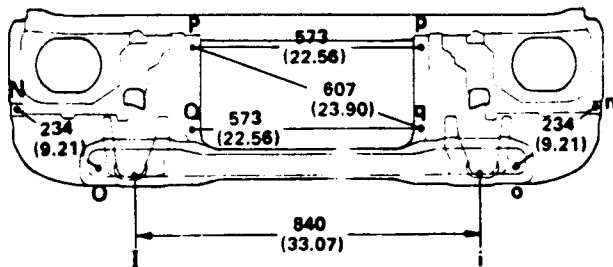
Symbol	Name	Hole dia.	Symbol	Name	Hole dia.
T, t	Front body pillar assembly mark	—	W, w	Rocker panel assembly mark	—
U, u	Roof side rail assembly mark	—	X, x	Rocker panel assembly mark	—
V, v	Quarter panel assembly mark	—	—	—	—

(cont'd)

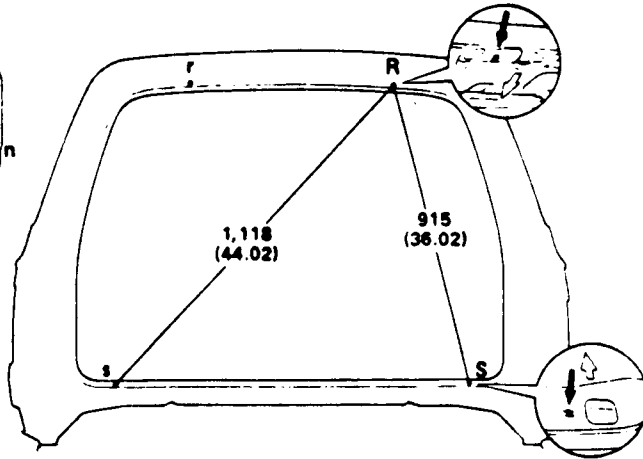
1990 4RUNNER

THREE-DIMENSIONAL DISTANCE

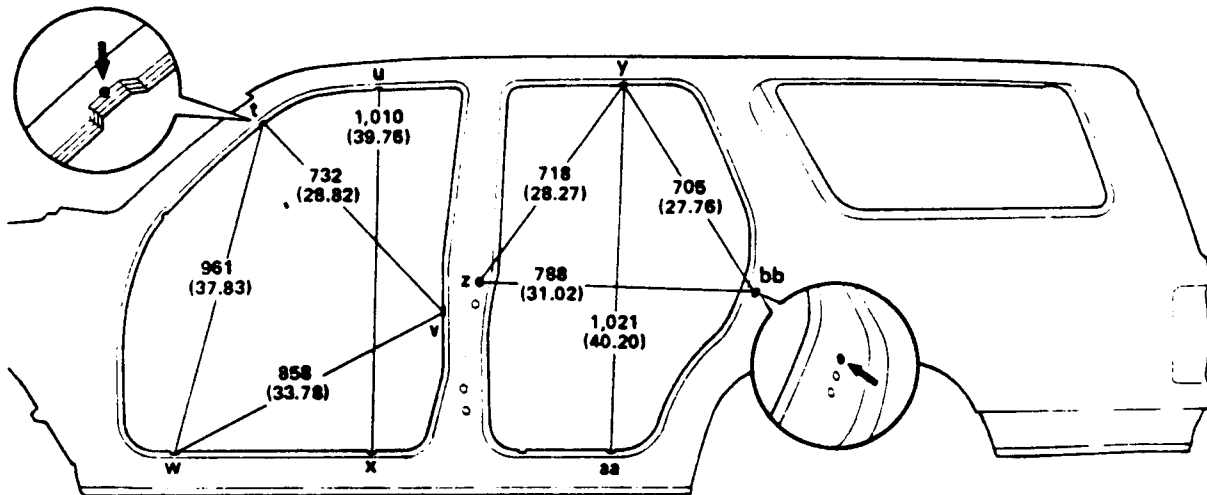
Front view



Rear View



Side View (4 Door)



803603 803716
803717

mm (in.)

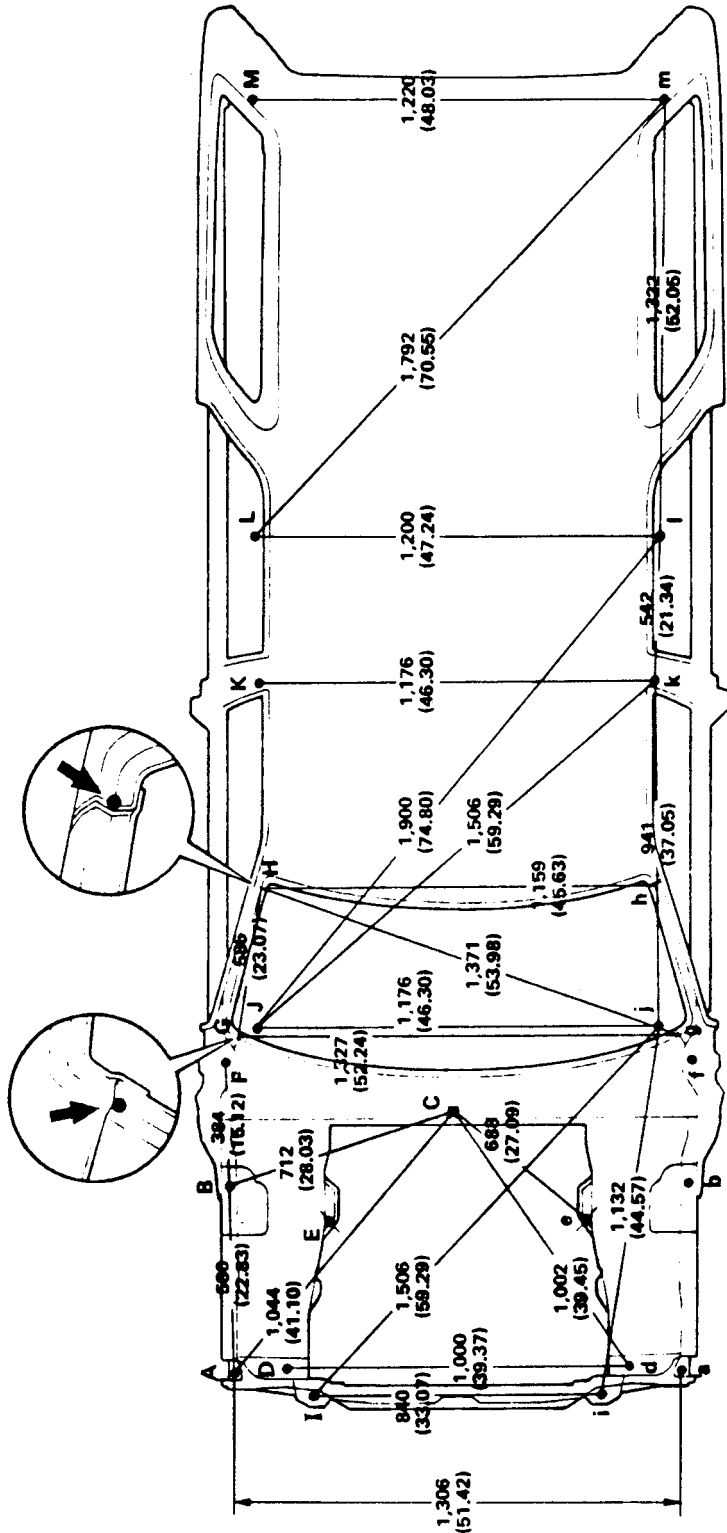
Symbol	Name	Hole dia.	Symbol	Name	Hole dia.
I, i	Body mounting hole	RH 11 (0.43) LH 15 x 12 (0.59 x 0.47)	T, t	Front body pillar assembly mark	-
N, n	Front fender installation nut	7 (0.28)	U, u	Roof side rail assembly mark	-
O, o	Front crossmember standard hole	13 (0.51)	V, v	Center body pillar assembly mark	-
P, p	Radiator installation nut	9 (0.35)	W, w	Rocker panel assembly mark	-
Q, q	Radiator installation nut	9 (0.35)	X, x	Rocker panel assembly mark	-
R, r	Back door opening frame trim installation hole	8.5 (0.335)	Y, y	Roof side rail assembly mark	-
S, s	Rear floor rear crossmember trim installation hole	10 x 7 (0.39 x 0.28)	Z, z	Rear door upper hinge installation nut - upper	13 (0.51)
			AA, aa	Rocker panel assembly mark	-
			BB, bb	Rear door lock striker installation not - upper	15 (0.59)

(cont'd)

UNDERBODY

THREE-DIMENSIONAL DISTANCE
Overhead View

1990 4RUNNER



Symbol	Name	Hole dia.	Symbol	Name	Hole dia.
A, a	Front fender installation nut	7 (0.28)	I, i	Body mounting hole	RH 11 (0.43) LH 15 x 12 (0.59 x 0.47)
B, b	Front fender installation nut	7 (0.28)	J, j	Body mounting hole	22 (0.87)
C	Cowl ventilation louver installation hole	7.5 x 7.5 (0.295 x 0.295)	K, k	Body mounting hole	22 (0.87)
D, d	Fender apron standard hole	25 (0.98)	L, l	Body mounting hole	22 (0.87)
E, e	Fender apron seal installation hole	8 (0.31)	M, m	Body mounting hole	RH 22 (0.87) LH 21 x 15 (0.83 x 0.59)
F, f	Cowl top panel standard hole	10 (0.39)			
G, g	Front body pillar/Cowl panel adjoining portion				
H, h	Roof panel/Front body pillar adjoining portion				

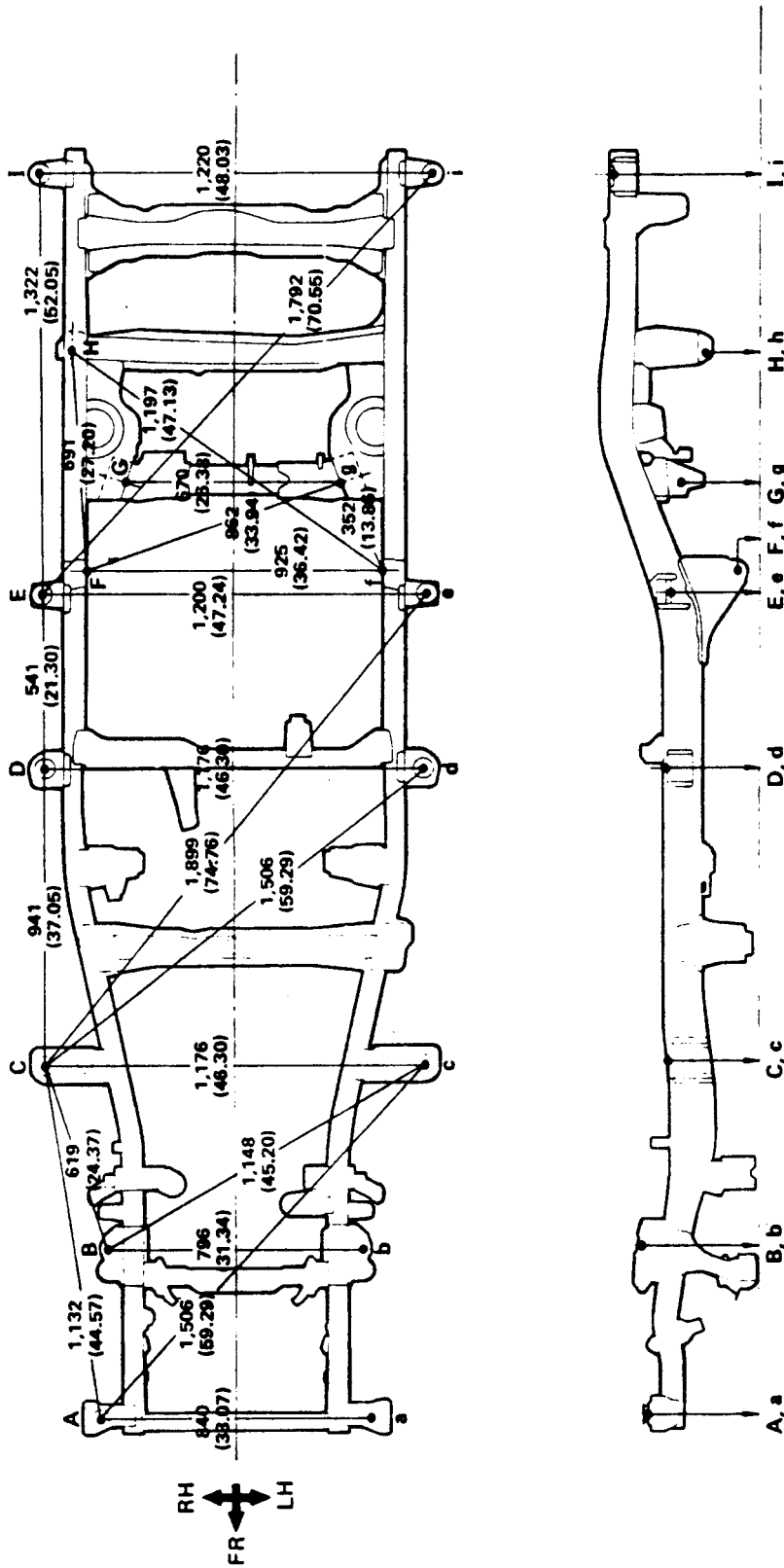
mm (in.)

(cont'd)

FRAME DIMENSIONS

THREE-DIMENSIONAL DISTANCE

1990 4RUNNER



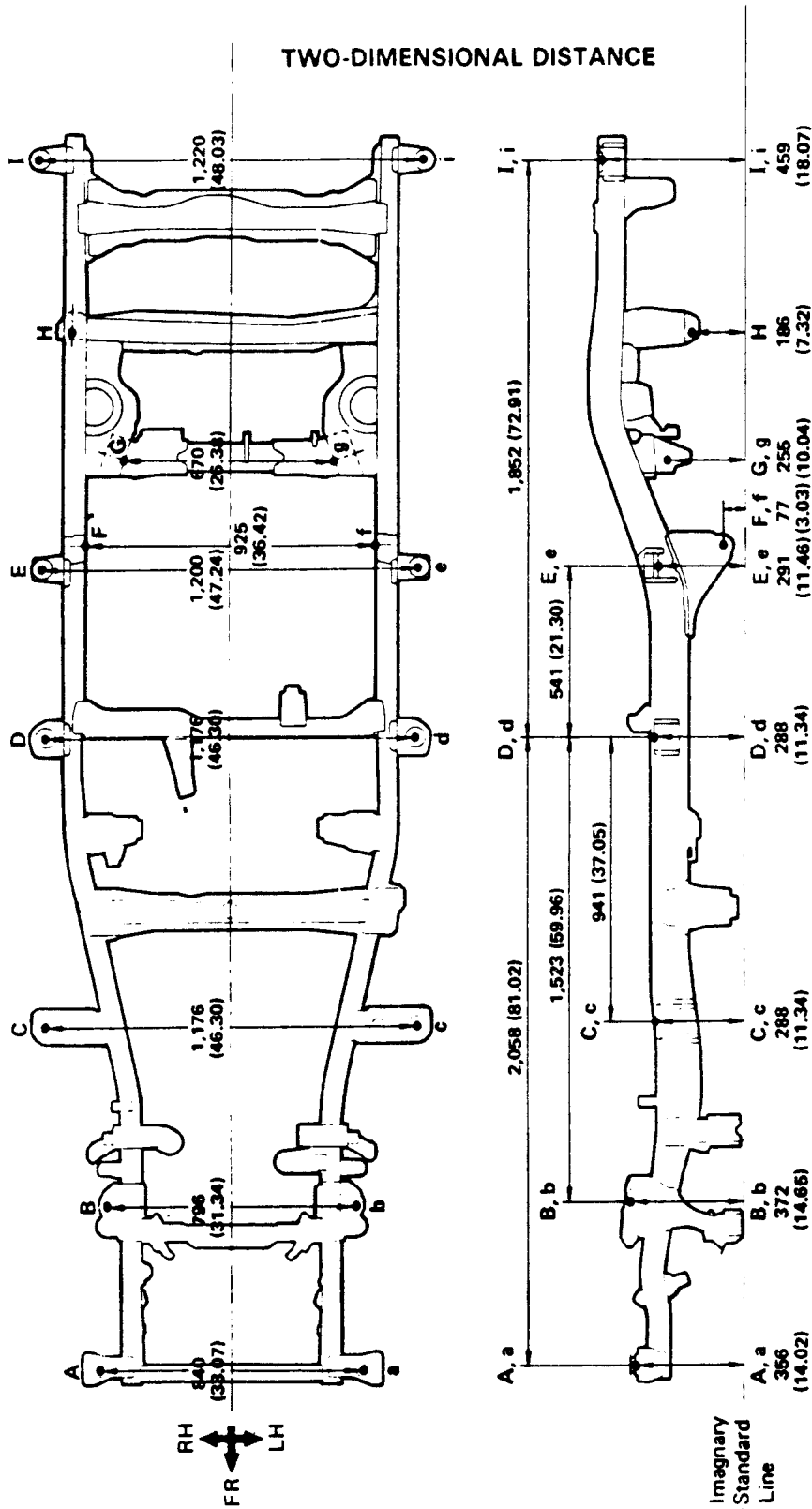
Symbol	Name	Hole dia.	Symbol	Name	Hole dia.
A, a	Body mounting hole	24 (0.94)	F, f	Lower control link installation hole -- inner	16 (0.63)
B, b	Shock absorber installation hole	16 (0.63)	G, g	Upper control link installation hole -- inner	16 (0.63)
C, c	Body mounting hole	60 (2.36)	H, h	Lateral rod installation hole -- front	16 (0.63)
D, d	Body mounting hole	70 (2.76)	I, i	Body mounting hole	28 (1.10)
E, e	Body mounting hole	28 (1.10)			

(cont'd)

FRAME DIMENSIONS (cont'd)

Wheel base 2,625 (103.35)

1990 4RUNNER



Symbol	Name	Hole dia.	Symbol	Name	Hole dia.
A, a	Body mounting hole	24 (0.94)	F, f	Lower control link installation hole -- inner	16 (0.63)
B, b	Shock absorber installation hole	16 (0.63)	G, g	Upper control link installation hole -- inner	16 (0.63)
C, c	Body mounting hole	60 (2.36)	H, h	Lateral rod installation hole -- front	16 (0.63)
D, d	Body mounting hole	70 (2.76)	I, i	Body mounting installation hole	28 (1.10)
E, e	Body mounting hole	28 (1.10)			

mm