

COLLISION REPAIR INFORMATION

FOR THE TOYOTA DEALER

TITLE: BODY DIMENSIONS

PAGE 1 of 18

SECTION: STRUCTURAL REPAIR BULLETIN #22

MODELS: 1988-1/2 COROLLA ALL-TRAC/4WD WAGON,
1988 CELICA ALL-TRAC/4WD, 1988 COROLLA,
1988 CAMRY ALL-TRAC/4WD

DATE: FEBRUARY 1988



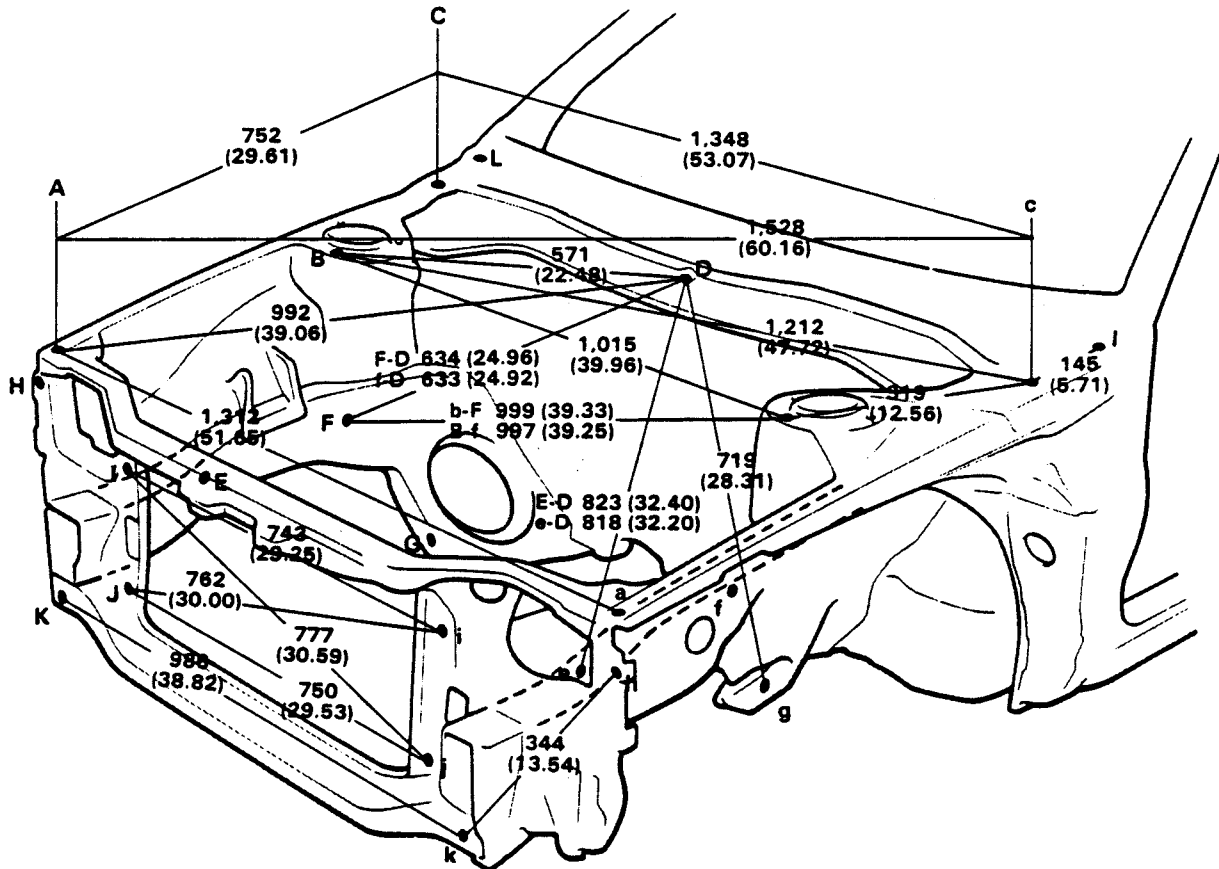
Repairability features are incorporated into all Toyota passenger cars. Alignment reference marks and specification are also provided in all areas to aid in properly relocating replacement parts.

Possibly the single most important factor in good unibody repair is the restoration of original factory body dimensions. The following pages will give you all of the critical body dimensions normally used during the repair process.

NOTE: PLEASE ROUTE THIS BULLETIN TO THE BODY SHOP MANAGER OR THE PERSON RESPONSIBLE FOR THE COLLISION REPAIR INFORMATION.

1988 1/2 COROLLA (All Trac/ 4WD Wagon)—ENGINE COMPARTMENT

(Three-dimensional Distance)



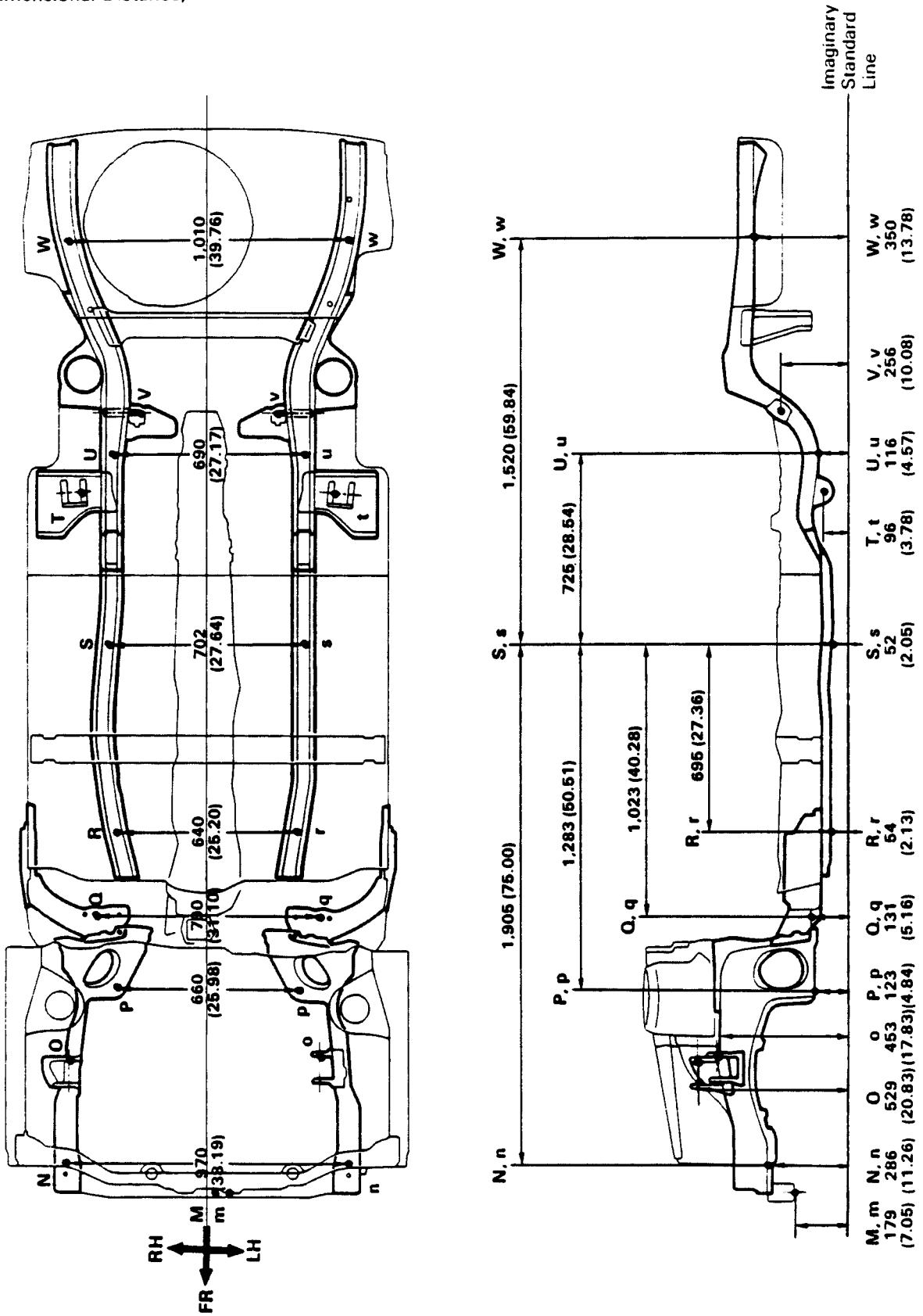
mm (in.)

Symbol	Nomenclature	Hole dia.
A, a	Fender installation nut — front	6 (0.24) nut
B, b	Front spring support hole — front	9.5 (0.37)
C, c	Fender installation nut — rear	6 (0.24) nut
D	Cowl top panel center mark	—
E, e	Front side member standard hole	16 (0.63)
F, f	Front side member standard hole	16 (0.63)
G, g	Front side member standard hole	10 (0.39)
H, h	Radiator support standard hole	10 (0.39)
I, i	Wire harness clamp hole	7 (0.28)
J, j	Oil cooler pipe installation nut	6 (0.24) nut
K, k	Front crossmember standard hole	7 (0.28)
L, l	Cowl top panel standard hole	10 (0.39)

UNDERBODY (cont'd)

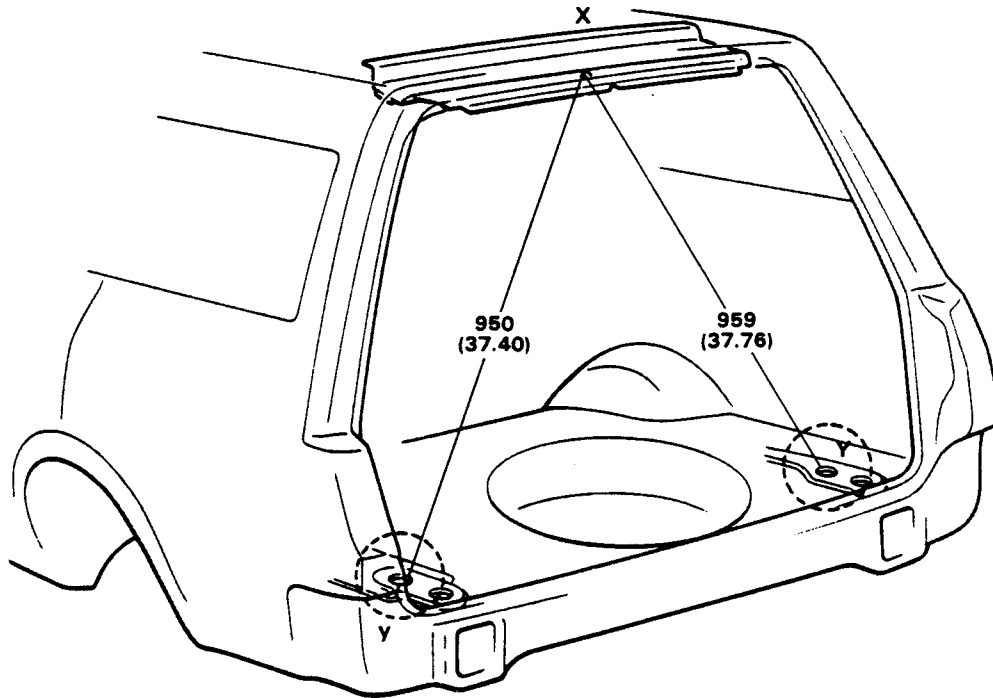
(Two-dimensional Distance)

1988 1/2 COROLLA (All Trac/ 4WD Wagon)

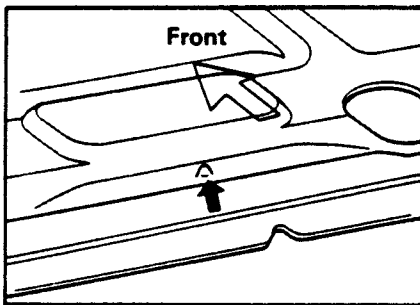


1988 1/2 COROLLA (All Trac/ 4WD Wagon)—LUGGAGE COMPARTMENT

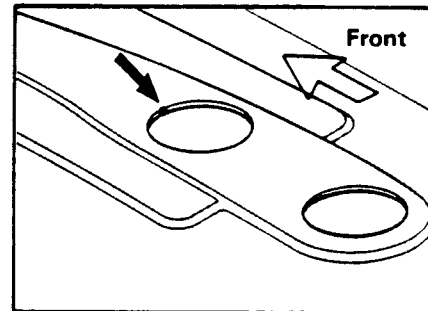
(Three-dimensional Distance)



X point



Y, y Points



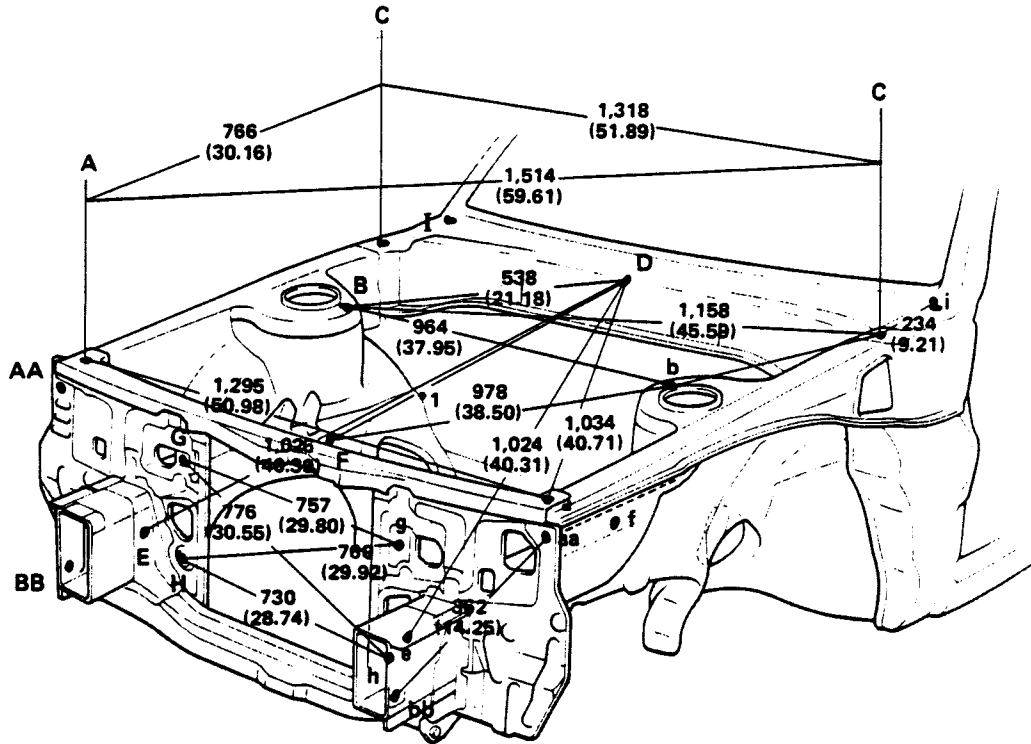
mm (in.)

	Nomenclature	Hole dia.
X	Back door opening frame center mark	1.5 R (0.06 R)
Y, y	Rear floor pan bumper installation hole — front	50 (1.97)

Symbol

1988 CELICA (All Trac/ 4WD)—ENGINE COMPARTMENT

(Three-dimensional Distance)



*1: 655 (25.79)

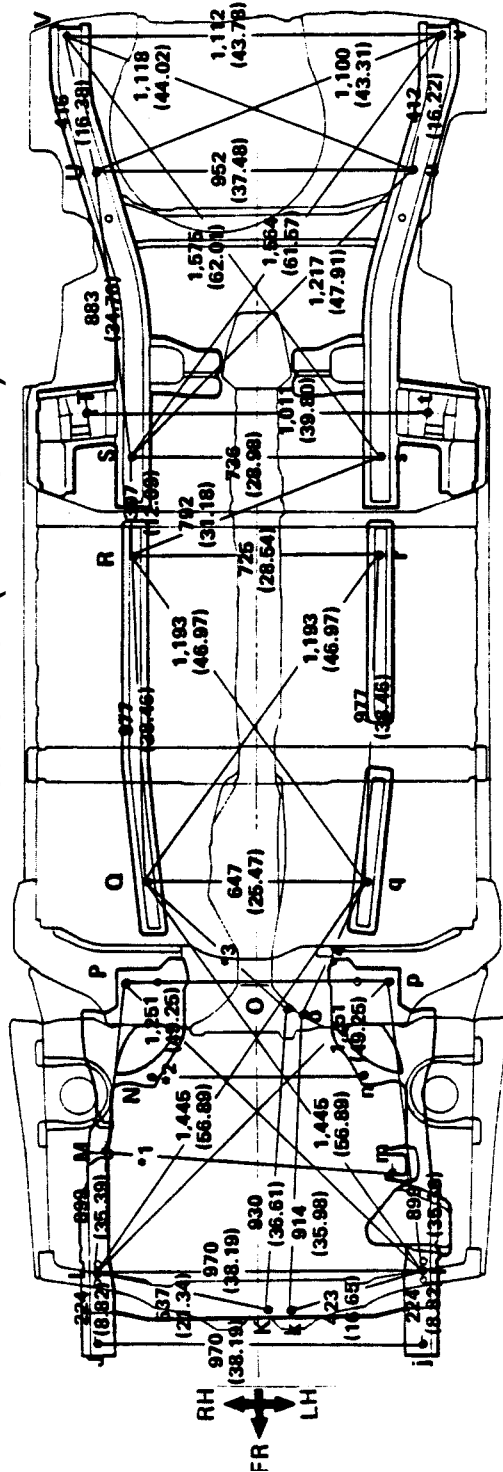
mm (in.)

Symbol	Nomenclature	Hole dia.
A, a	Front fender installation nut – front	6 (0.24)
B, b	Front spring support hole – inner	11 (0.43)
C, c	Front fender installation nut – rear	6 (0.24)
D	Cowl top panel center mark	–
E, e	Front side member standard hole	15 (0.59)
F, f	Front side member working hole	15 (0.59)
G	Cooler pipe installation nut	6 (0.24)
g	Radiator support standard hole	9 (0.35)
H, h	Cooler condenser installation hole	10 (0.39)
I, i	Cowl top side panel standard hole	10 (0.39)
AA, aa	Front fender installation nut	6 (0.24)
BB, bb	Front side member extension standard hole	11 (0.39)

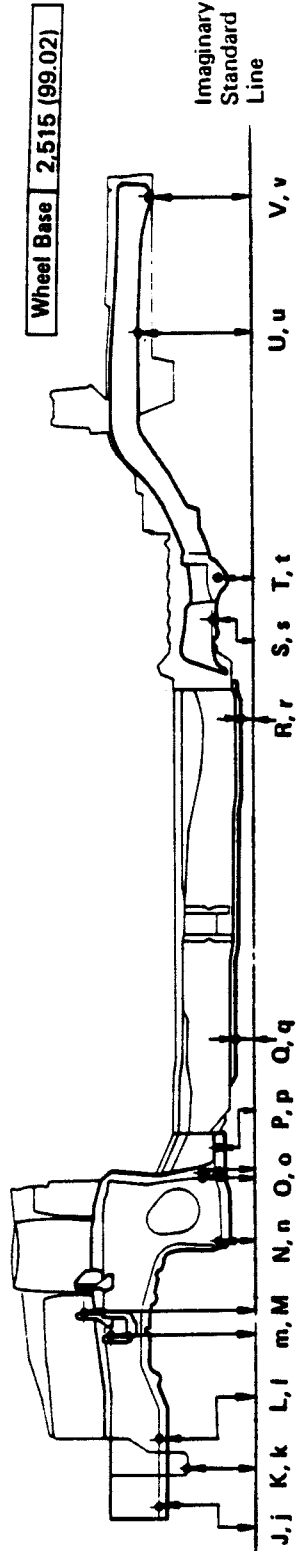
UNDERBODY

(Three-dimensional Distance)

1988 CELICA (All Trac/ 4WD)



- *1 M-m 864 (34.01)
- *2 N-n 650 (25.59)
- *3 O-Q 570 (22.44)
- *4 O-q 440 (17.32)



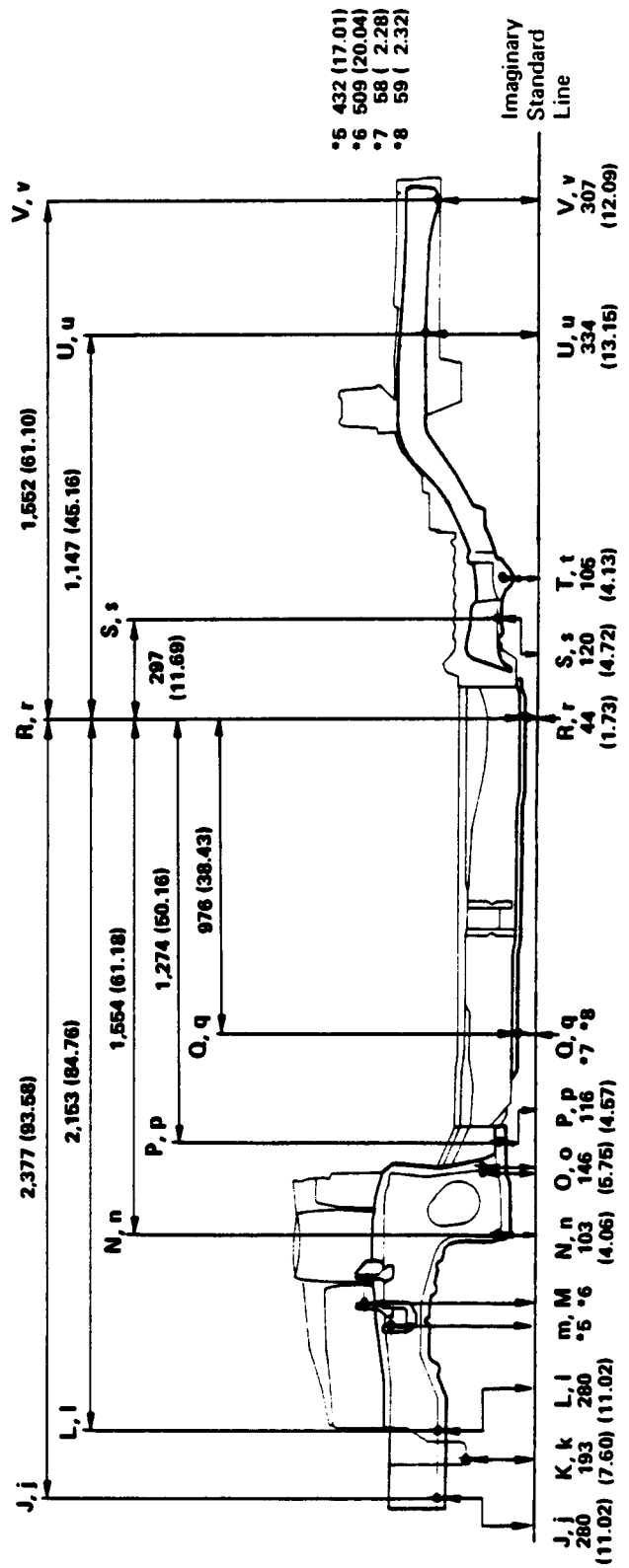
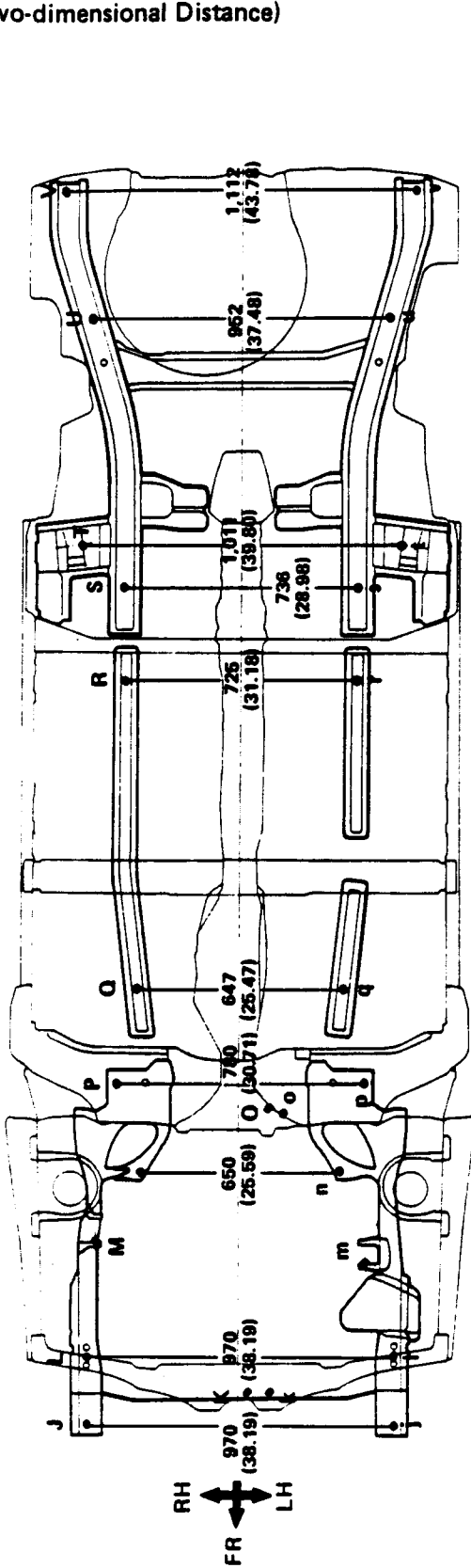
Symbol	Nomenclature	Hole dia.	Symbol	Nomenclature	Hole dia.
J, j	Front side member bumper installation hole	RH 13 (0.51) LH 16 (0.63)	P, p	Lower arm installation nut	12 (0.47)
K, k	Engine mounting member installation nut - front	10 (0.39)	Q, q	Front floor under reinforcement standard hole	15 (0.59)
L, l	Front side member standard hole	15 (0.59)	R, r	Front floor under reinforcement standard hole	15 (0.59)
M, m	Engine mounting bracket hole - front	13 (0.51)	S, s	Rear floor side member standard hole	18 (0.71)
N, n	Lower arm installation nut	12 (0.47)	T, t	Strut bar installation hole - inner	12 (0.47)
O, o	Engine mounting member installation nut	10 (0.39)	U, u	Rear floor side member standard hole	12 (0.47)
			V	Rear floor side member standard hole	18 (0.71)

mm (in.)

UNDERBODY (cont'd)

(Two-dimensional Distance)

1988 CELICA (All Trac/4WD)



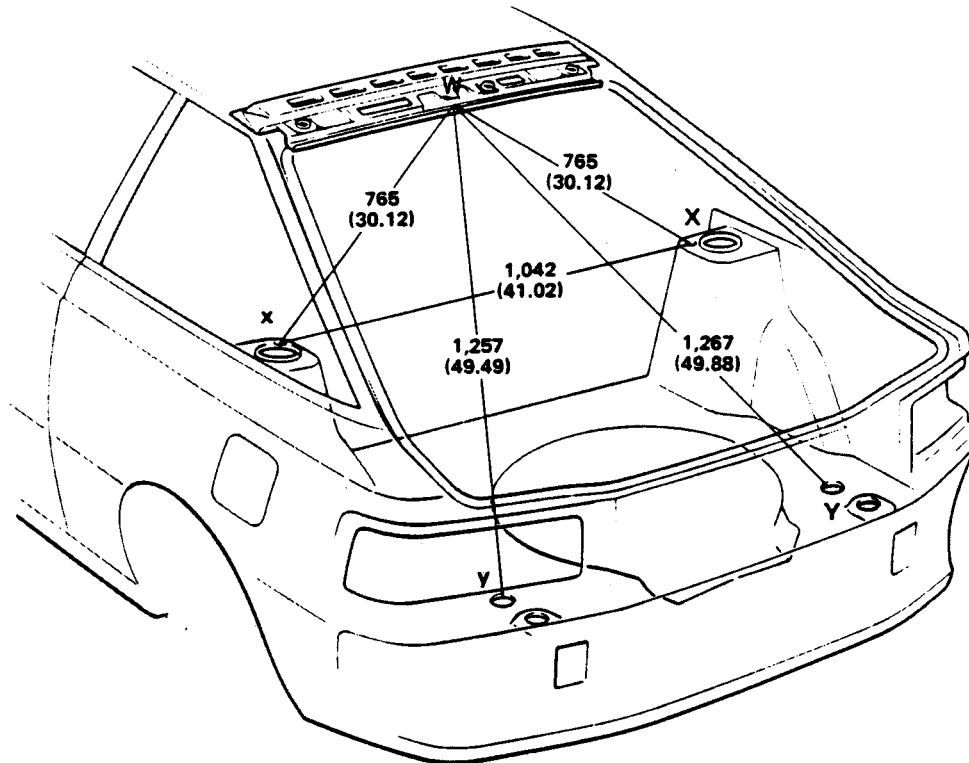
- *5 432 (17.01)
- *6 509 (20.04)
- *7 58 (2.28)
- *8 59 (2.32)

Imaginary Standard Line

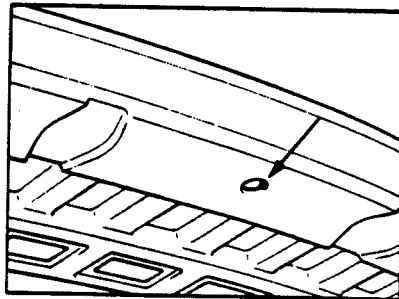
mm (in.)

1988 CELICA (All Trac/ 4WD)—LUGGAGE COMPARTMENT

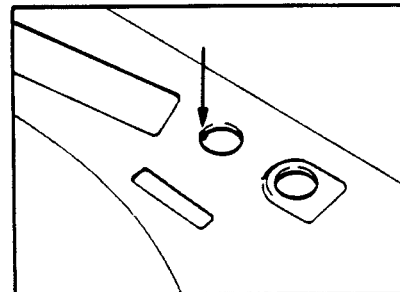
(Three-dimensional Distance)



W Point



Y, y Points



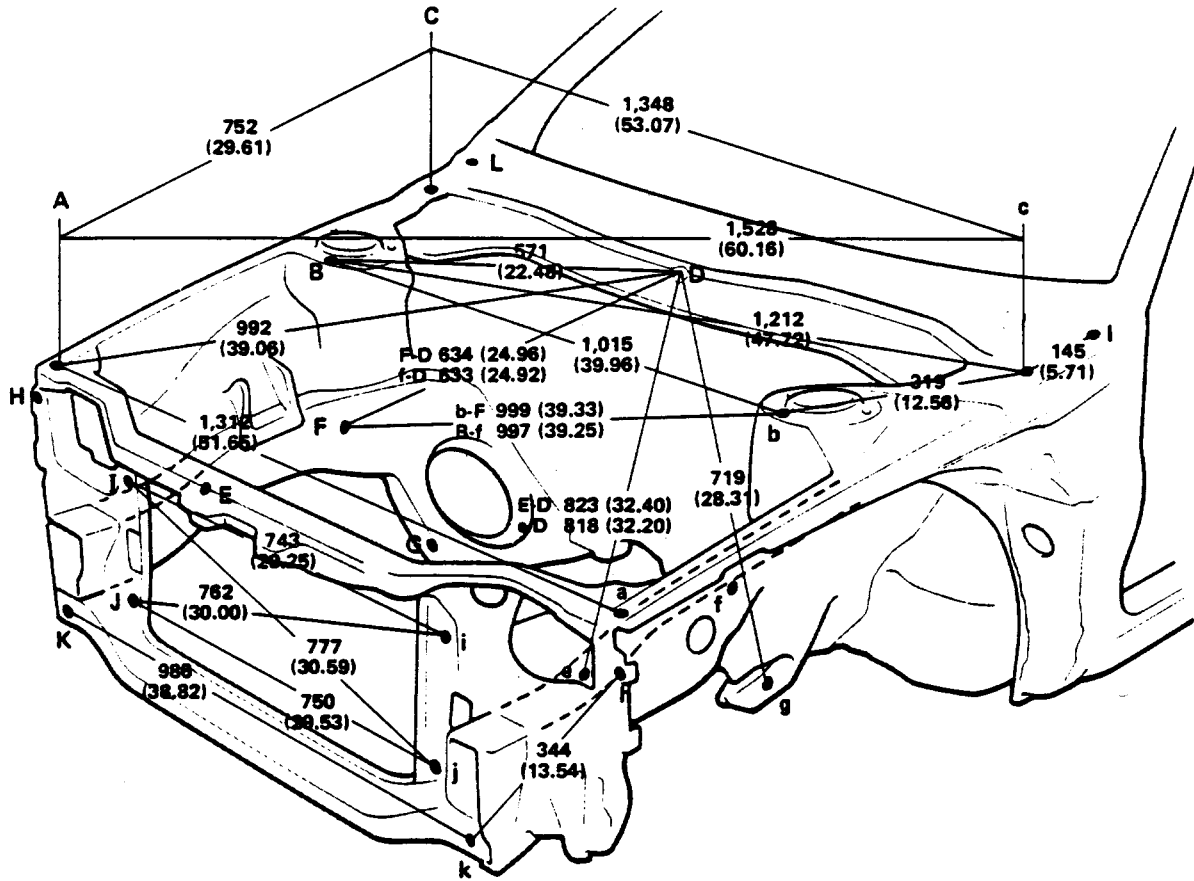
NOTE: The luggage compartment measurement is performed between the two dot marked points as shown in the above figure.

Symbol	Nomenclature	Hole dia.
W	Back door opening frame standard hole	9 (0.35)
X, x	Rear spring support hole – front	9.5 (0.374)
Y, y	Rear floor pan bumper installation hole – front	40 (1.57)

mm (in.)

1988 COROLLA—ENGINE COMPARTMENT

(Three-dimensional Distance)



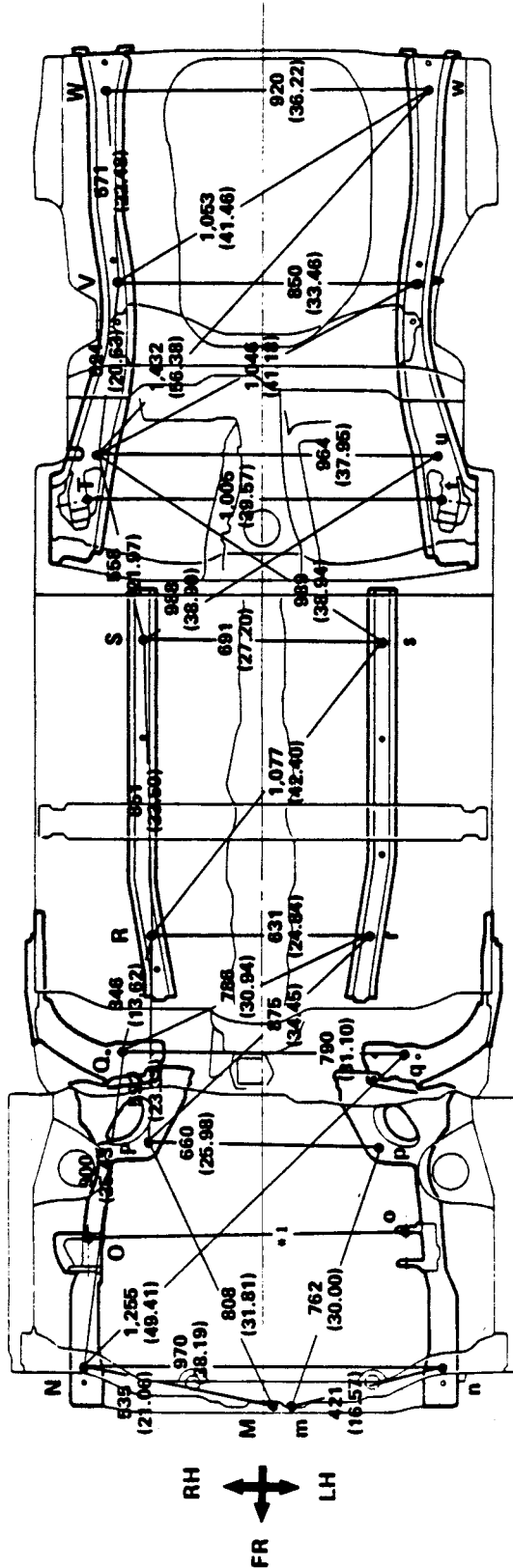
mm (in.)

Symbol	Nomenclature	Hole dia.
A, a	Fender installation nut – front	6 (0.24) nut
B, b	Front spring support hole – front	9.5 (0.37)
C, c	Fender installation nut – rear	6 (0.24) nut
D	Cowl top panel center mark	—
E, e	Front side member standard hole	16 (0.63)
F, f	Front side member standard hole	16 (0.63)
G, g	Front side member standard hole	10 (0.39)
H, h	Radiator support standard hole	10 (0.39)
I, i	Wire harness clamp hole	7 (0.28)
J, j	Oil cooler pipe installation nut	6 (0.24) nut
K, k	Front crossmember standard hole	7 (0.28)
L, l	Cowl top panel standard hole	10 (0.39)

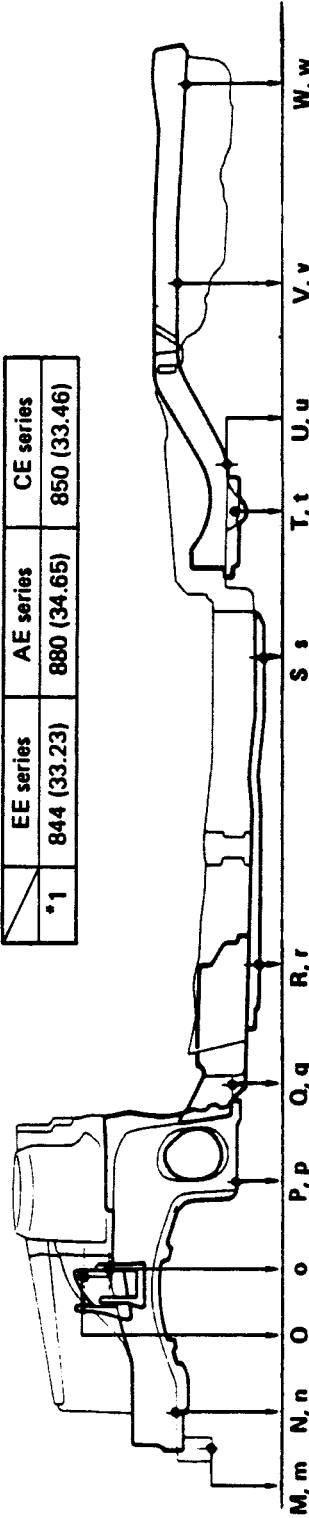
UNDERBODY

(Three-dimensional Distance)

1988 COROLLA



	EE series	AE series	CE series
*1	844 (33.23)	880 (34.65)	850 (33.46)

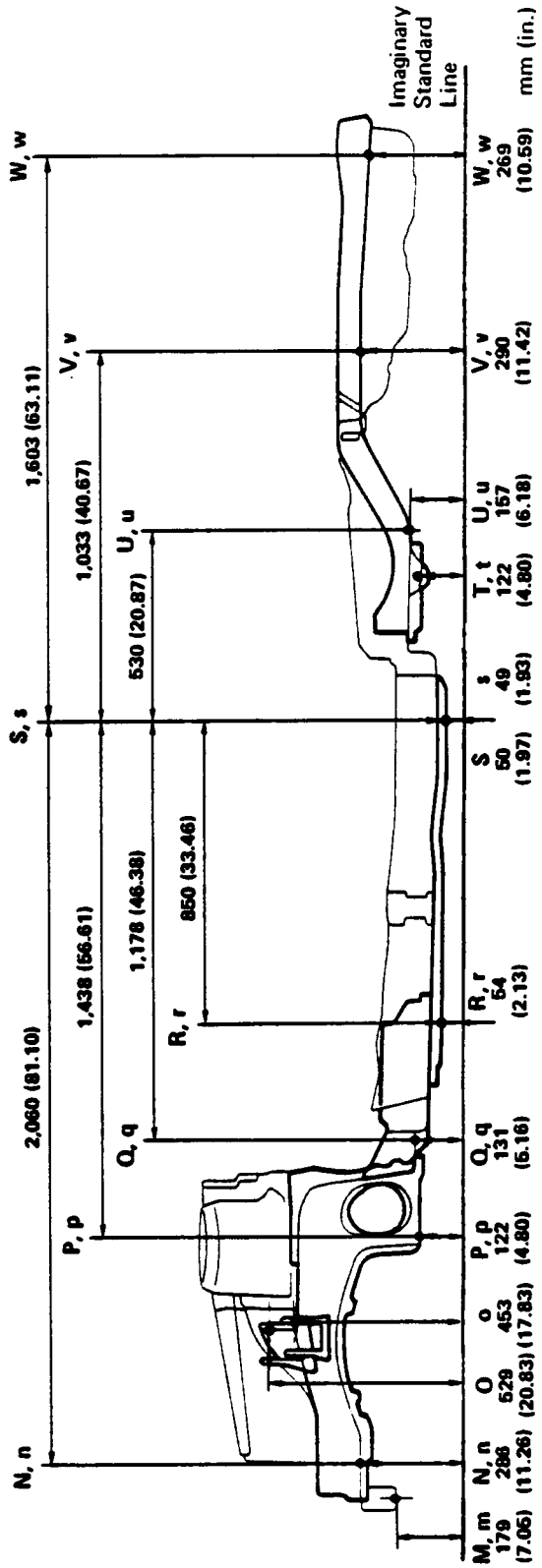
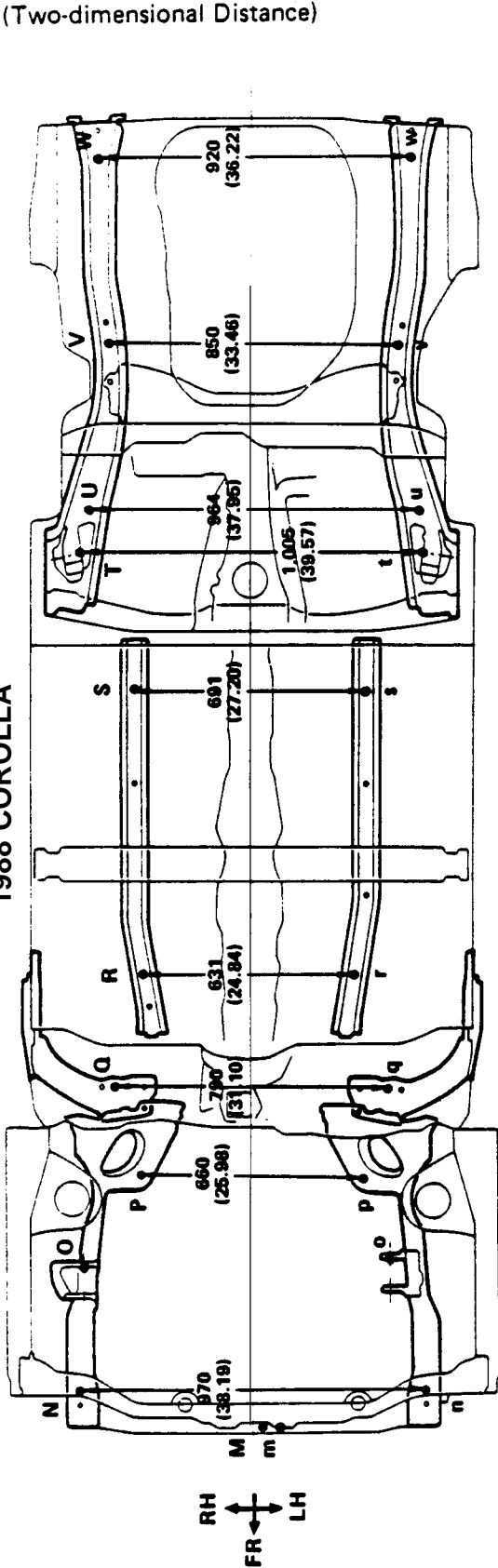


Symbol	Nomenclature	Hole dia.	Symbol	Nomenclature	Hole dia.
M, m	Engine mounting member installation nut	10 (0.39) nut	S, s	Front floor under reinforcement standard hole	15 (0.59)
N, n	Front side member standard hole	15 (0.59)	T, t	Strut bar installation hole -- inner	12 (0.47)
O, o	Engine mounting bracket hole -- rear	13 (0.51)	U, u	Rear floor side member standard hole	15 (0.59)
P, p	Front suspension crossmember installation nut	14 (0.55) nut	V, v	Rear suspension member installation hole	10 (0.39) nut
Q, q	Front suspension crossmember installation nut	12 (0.47) nut	W, w	Rear floor side member standard hole	13 (0.51)
R, r	Front floor under reinforcement standard hole	15 (0.59)			

UNDERBODY (cont'd)

(Two-dimensional Distance)

1988 COROLLA



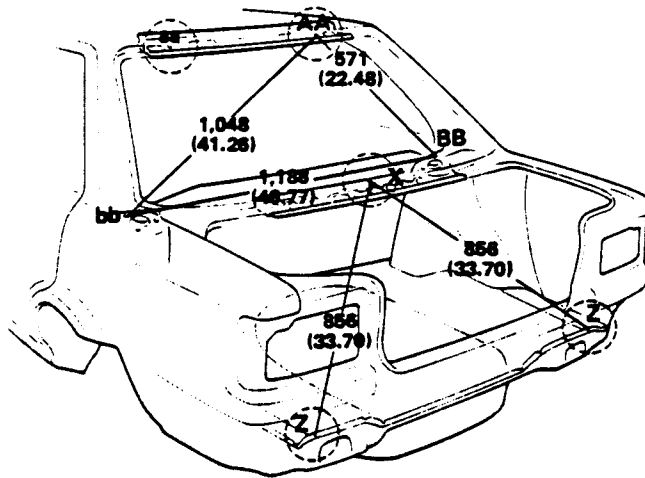
This imaginary standard line is under 100 mm (3.94 in.) from the rocker panel bottom surface.

Wheel base 2,430 (95.67)

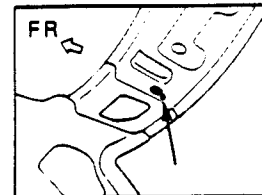
1988 COROLLA—LUGGAGE COMPARTMENT

(Three-dimensional Distance)

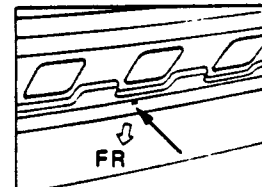
SEDAN



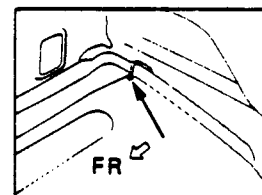
AA, aa points



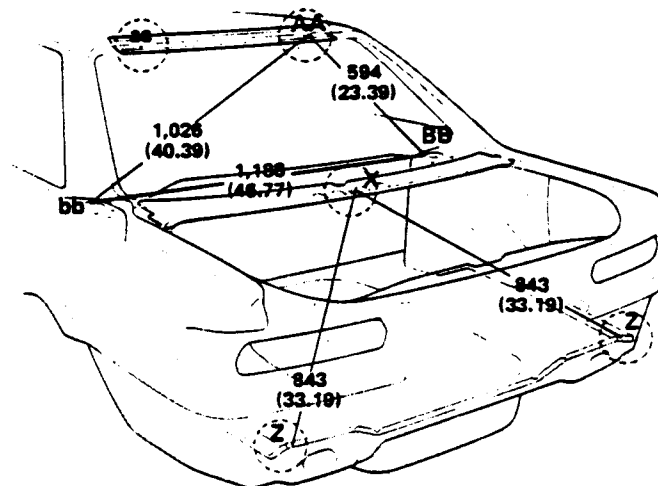
X point



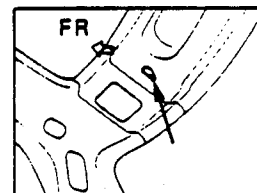
Z, z points



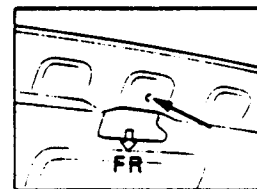
COUPE



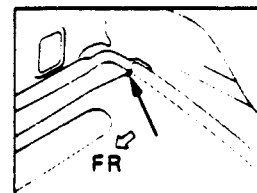
AA, aa points



X point



Z, z points

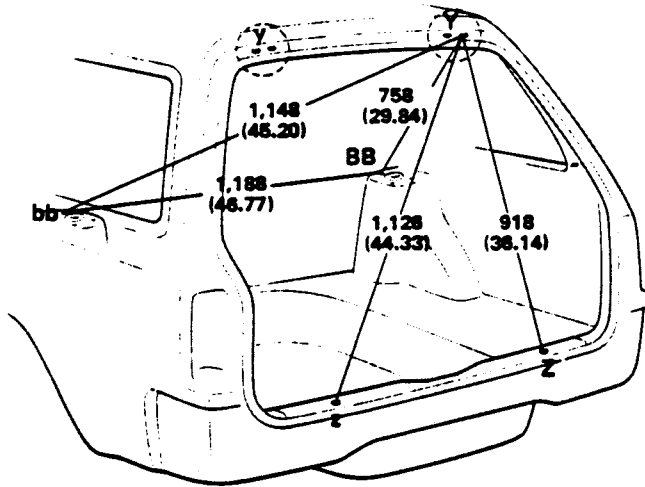


mm (in)

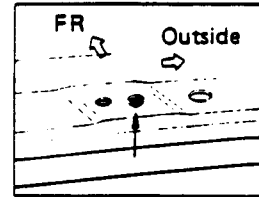
Symbol	Nomenclature	Hole dia.
X	Upper back reinforcement center mark	2.5R (0.10R)
Z, z	Rear floor pan - rear edge	—
AA, aa	Back window upper frame standard hole - rear edge	13 (0.51)
BB, bb	Rear spring support hole - front	9 (0.35)

1988 COROLLA WAGON—LUGGAGE COMPARTMENT

(Three-dimensional Distance)



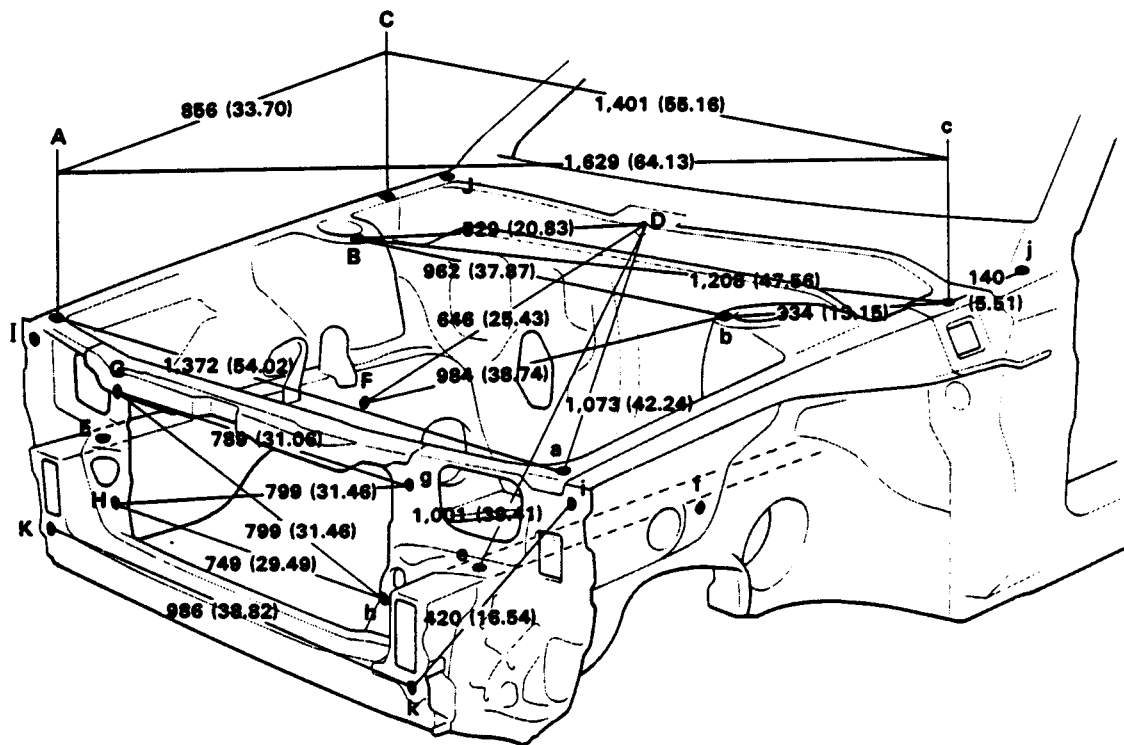
Y, y points



mm (in)		
Symbol	Nomenclature	Hole dia.
Y, y	Back door installation hole – Outer, rear edge	12 (0.47)
Z, z	Lower back panel standard hole	9 (0.35)
BB, bb	Rear spring support hole – front	9 (0.35)

1988 CAMRY (All Trac/ 4WD)—ENGINE COMPARTMENT

(Three-dimensional Distance)



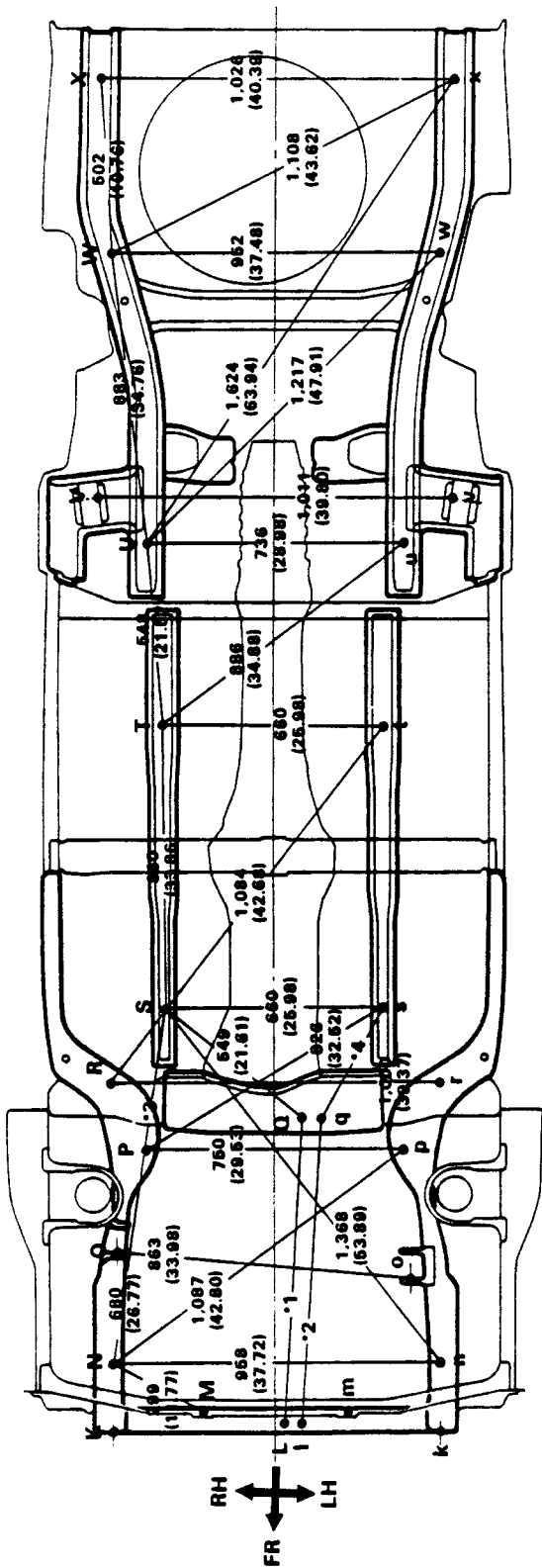
mm (in.)

Symbol	Nomenclature	Hole dia.
A, a	Front fender installation nut	6 (0.24)
B, b	Front spring support inner hole	11 (0.43)
C, c	Front fender installation nut	6 (0.24)
D	Cowl top panel center mark	—
E, e	Front side member bumper installation hole	15 (0.59)
F, f	Front side member standard hole	15 (0.59)
G, g	Headlight installation hole	20 x 6.5 (0.79 x 0.26)
H, h	Tube clamp installation nut	6 (0.24)
I, i	Front fender installation nut	6 (0.24)
J, j	Cowl top panel standard hole	10 (0.39)
k, k	Front crossmember bumper installation nut	12 (0.47)

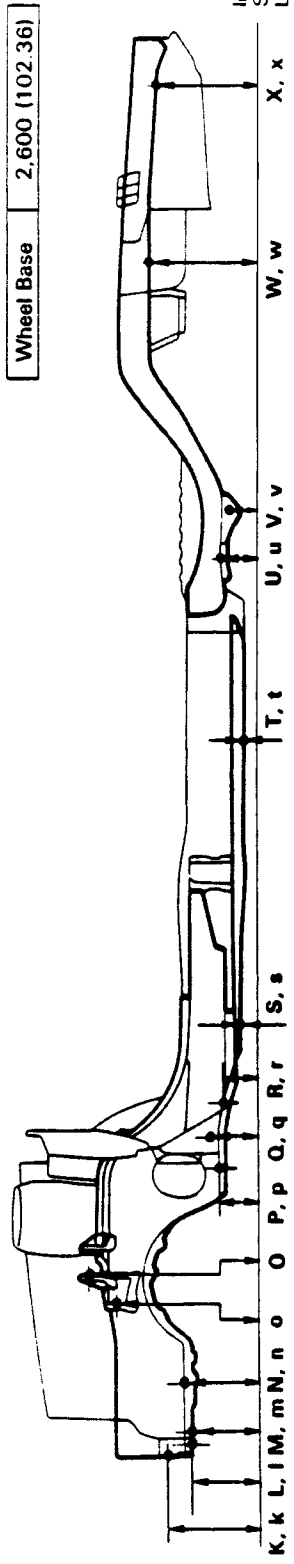
UNDERBODY

(Three-dimensional Distance)

1988 CAMRY (All Trac/4WD)



- *1: L-Q 927 (36.50) *2: I-Q 927 (36.50)
- *3: P-S 433 (17.06) *4: q-s 404 (15.91)



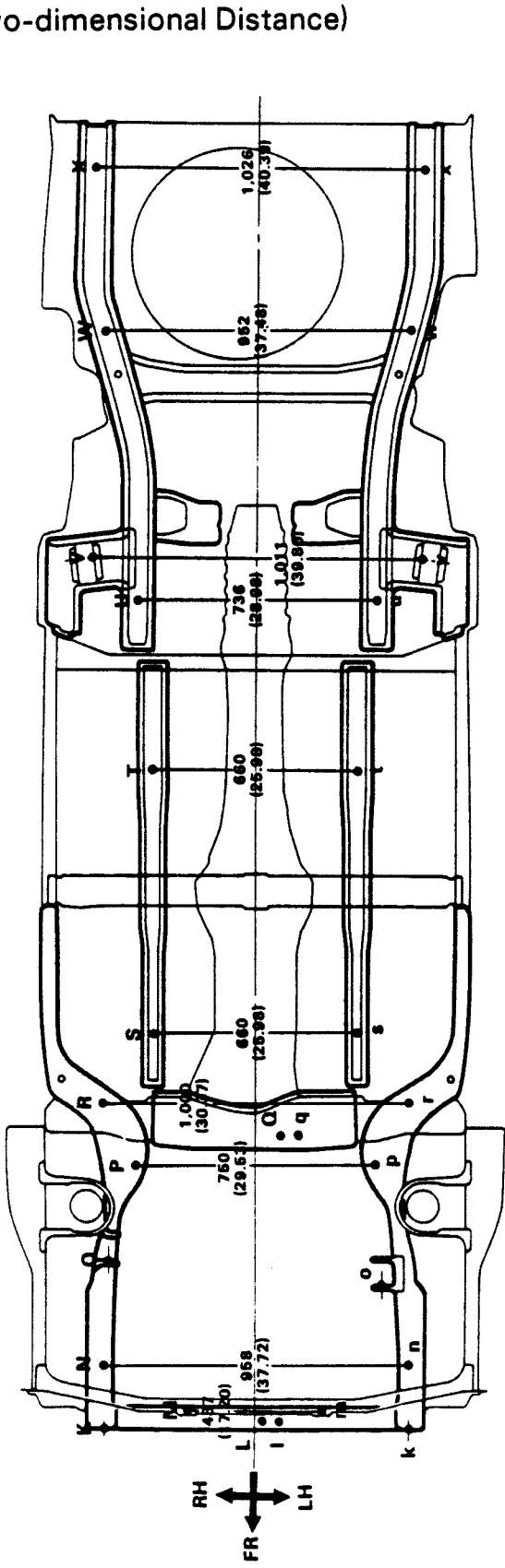
Wheel Base 2,600 (102.36)

Symbol	Nomenclature	Hole dia.	Symbol	Nomenclature	Hole dia.
L, l	Engine mounting member installation nut	10 (0.39)	S, s	Front floor under reinforcement working hole	10 (0.39)
M, m	Strut bar bracket front inner installation nut	10 (0.39)	T, t	Front floor under reinforcement working hole	18 (0.71)
N, n	Strut bar bracket rear front installation nut	10 (0.39)	U, u	Rear floor side member standard hole	18 (0.71)
O, o	Engine mounting bracket front hole	13 (0.51)	V, v	Strut bar inner installation hole	12 (0.47)
P, p	Lower arm installation nut	14 (0.55)	W, w	Rear floor side member standard hole	10 (0.39)
Q, q	Engine mounting member installation nut	10 (0.39)	X, x	Rear floor side member standard hole	18 (0.71)
R, r	Front side member standard hole	15 (0.59)	-	-	-

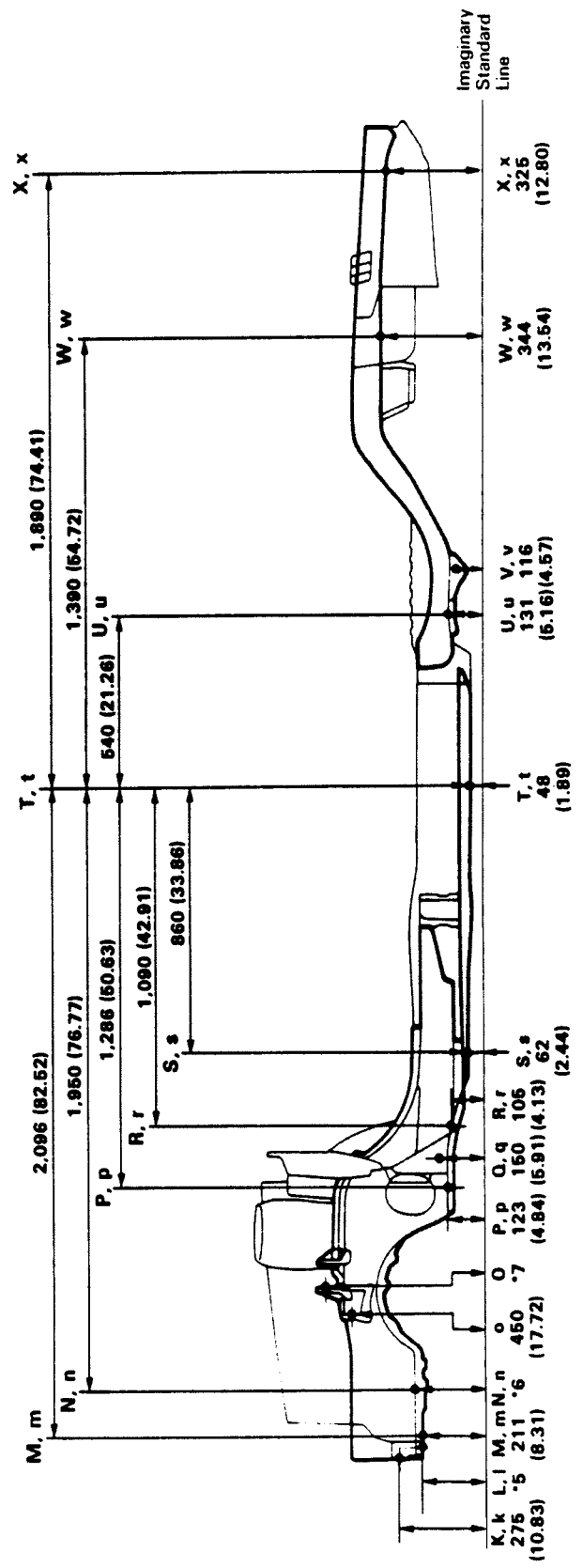
UNDERBODY (cont'd)

(Two-dimensional Distance)

1988 CAMRY (All Trac/4WD)



*5: 214 (8.43) *6: 229 (9.01)
 *7: 525 (20.67)

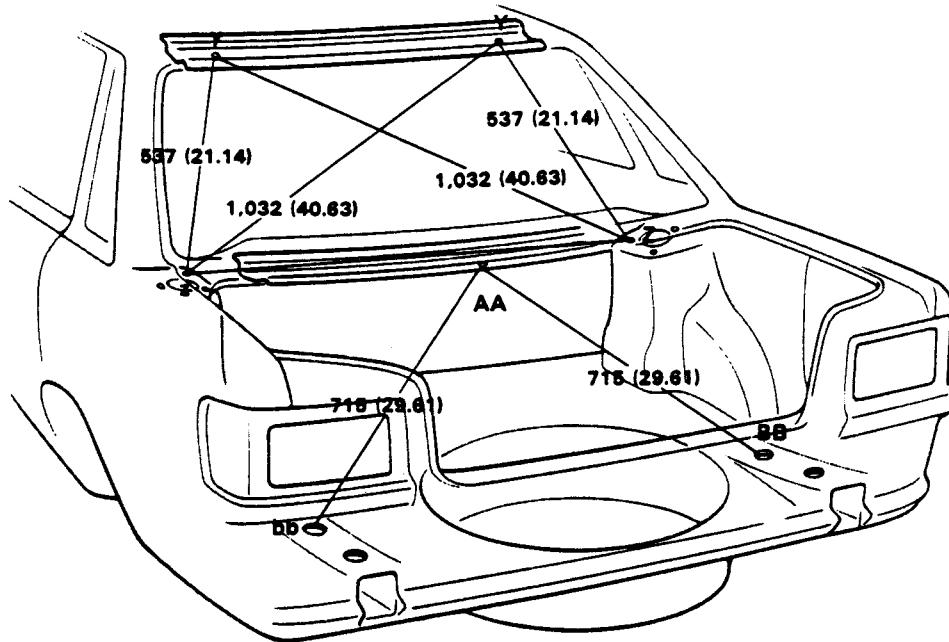


Imaginary Standard Line

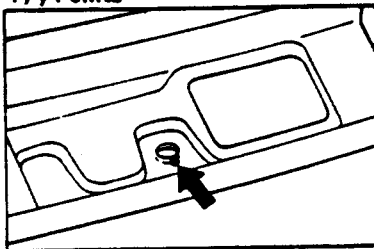
K, k	275	(10.83)
L, l	211	(8.31)
M, m	211	(8.31)
N, n	450	(17.72)
O	123	(4.84)
P, p	160	(6.30)
Q, q	106	(4.17)
R, r	62	(2.44)
S, s	62	(2.44)
T, t	48	(1.89)
U, u	131	(5.16)
V, v	116	(4.57)
W, w	344	(13.54)
X, x	325	(12.80)

1988 CAMRY (All Trac/ 4WD)—LUGGAGE COMPARTMENT

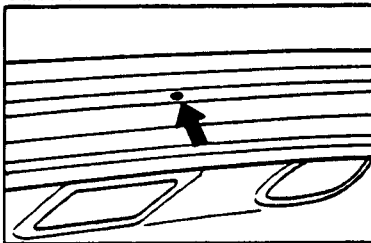
(Three-dimensional Distance)



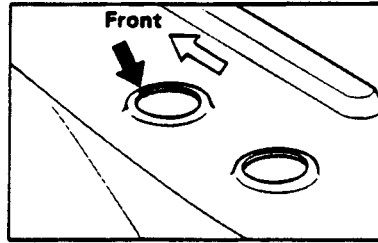
Y, y Points



AA Point



BB, bb Points



Symbol	Nomenclature	Hole dia. mm (in.)
Y, y	Back window upper frame standard hole - rear	10 (0.39)
Z, z	Rear spring support front hole	9.5 (0.37)
AA	Upper back reinforcement center mark	3 (0.12)
BB, bb	Rear floor pan bumper front installation hole - front	45 (1.77)