

COLLISION REPAIR INFORMATION

FOR THE TOYOTA DEALER

TITLE: BODY DIMENSIONS

PAGE 1 of 8

SECTION: STRUCTURAL REPAIR BULLETIN #9
MODELS: 1986 TOYOTA CELICA AND 1986-1/2 SUPRA
DATE: MARCH 1986



Repairability features are incorporated into all Toyota passenger cars. Alignment reference marks and specifications are also provided in all areas to aid in properly relocating replacement parts.

Possibly the single most important factor of good unibody repair is the restoration of original factory body dimensions. The following pages will give you all of the critical body dimensions normally used during the repair process.

1986 CELICA

SYMBOL	NOMENCLATURE	HOLE DIAMETER
J, j	Front side member bumper installation nut	RH 15 (0.59) LH 16 (0.63)
K	Engine mounting member installation nut-front (RH)	10 (0.39)
k	Engine mounting member installation nut-front (LH)	10 (0.39)
L, l	Front side member standard hole	15 (0.59)
M	Engine mounting bracket hole-front (RH)	13 (0.51)
m	Engine mounting bracket hole-front (LH)	13 (0.51)
N, n	Lower Arm installation nut	12 (0.47)
O	Engine mounting member installation nut (RH)	10 (0.39)
o	Engine mounting member installation nut (LH)	10 (0.39)
P, p	Lower Arm installation nut	12 (0.47)
Q	Front floor under reinforcement standard hole (RH)	15 (0.59)
q	Front floor under reinforcement standard hole (LH)	15 (0.59)
R, r	Front floor under reinforcement standard hole	15 (0.59)
S, s	Rear floor side member standard	15 (0.59)
T, t	Strut bar installation hole-inner	12 (0.47)
U, u	Rear floor crossmember standard hole (RH)	15 (0.59)
V	Rear floor crossmember standard hole (LH)	15 (0.59)
v	Rear floor crossmember standard hole (RH)	15 (0.59)
W	Rear floor crossmember standard hole (LH)	15 (0.59)
w	Rear floor crossmember standard hole (RH)	15 (0.59)

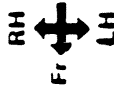
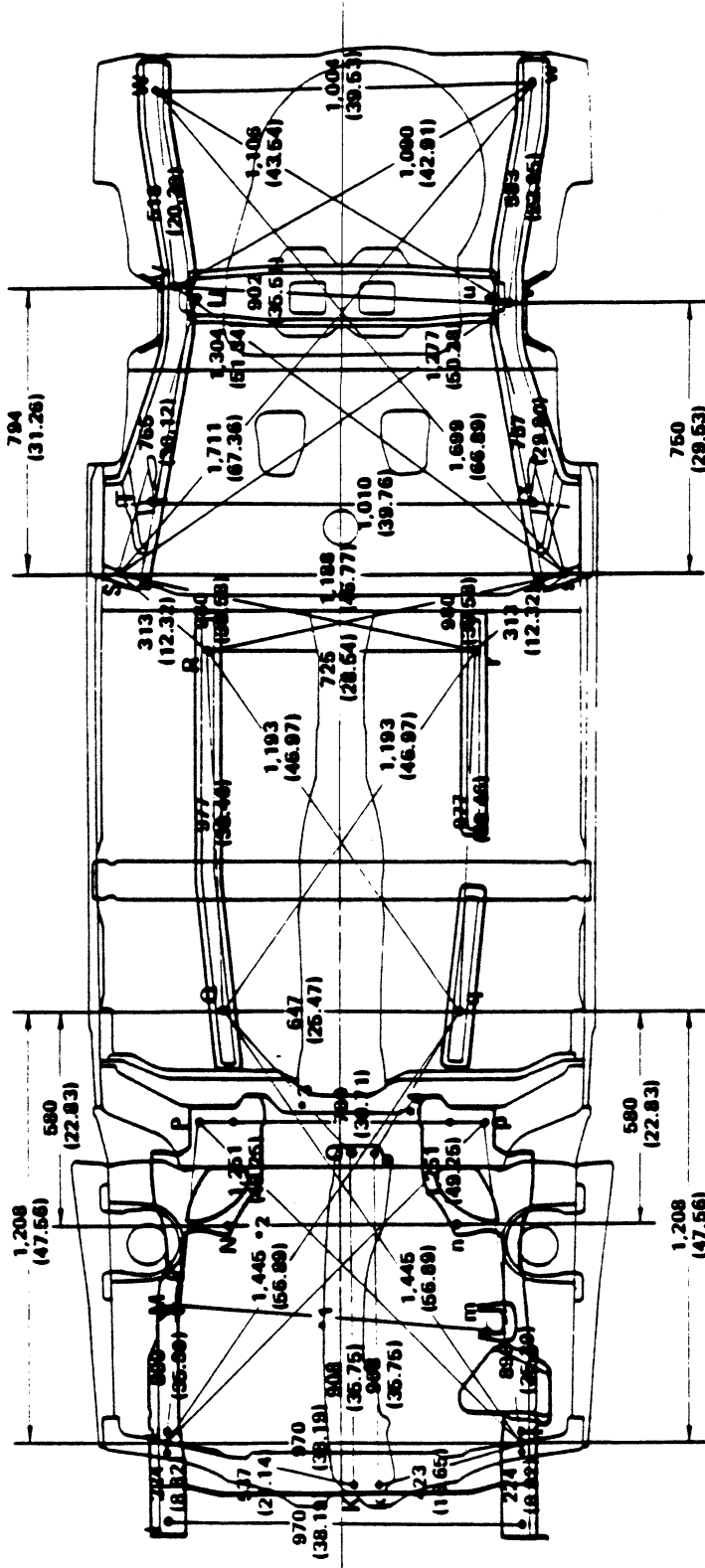
NOTE: PLEASE ROUTE THIS BULLETIN TO THE BODY SHOP MANAGER.



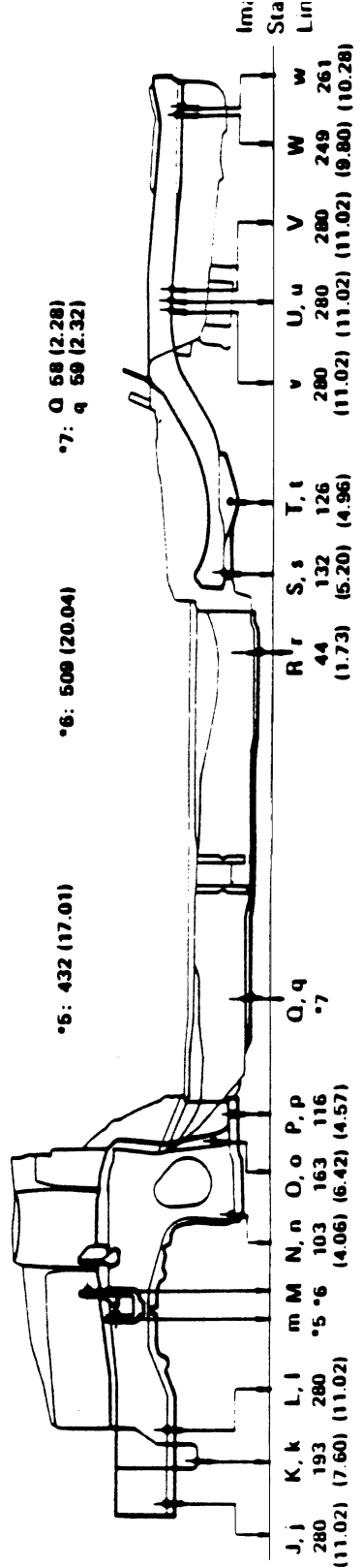
1986 CELICA

UNDERBODY

*1: M-m 864 (34.02) *2: N-n 650 (25.59) *3: O-o 544 (21.42) *4: o-q 471 (18.54)

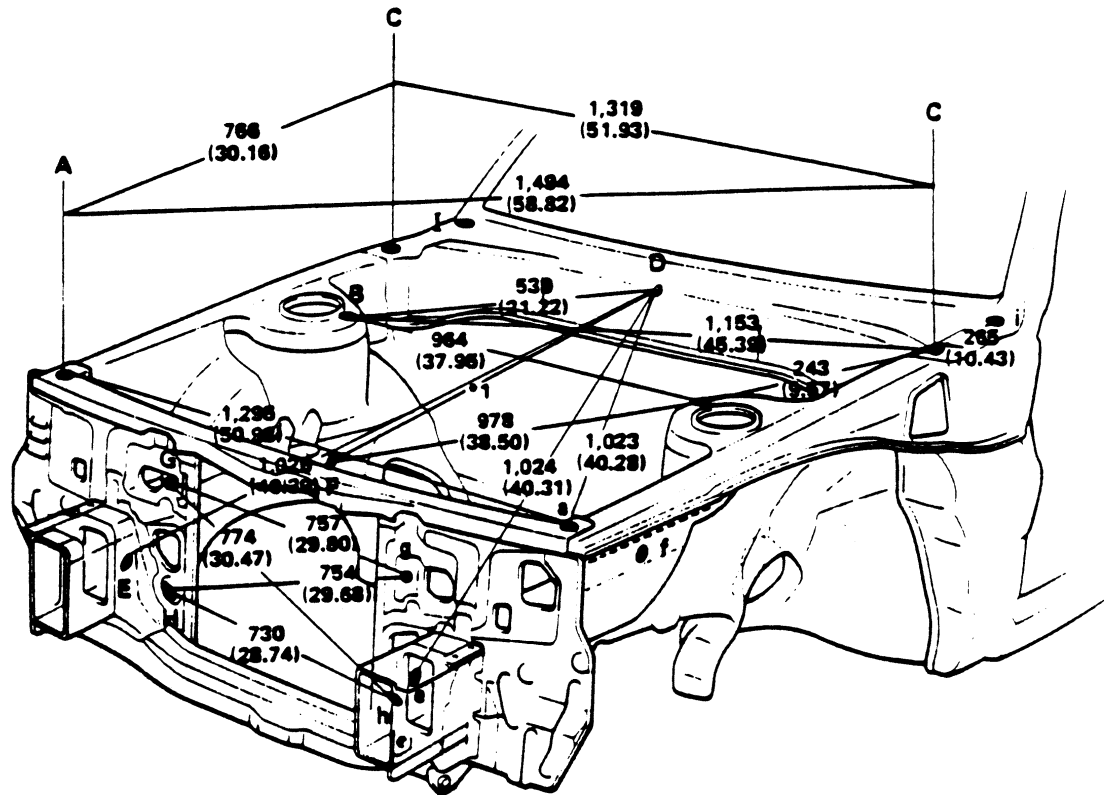


*5: 432 (17.01) *6: 508 (20.04) *7: Q 58 (2.28)
q 59 (2.32)



Station	Station	Station	Station	Station	Station	Station	Station	Station	Station	Station						
J, j	K, k	L, l	M, m	N, n	O, o	P, p	Q, q	R, r	S, s	T, t	U, u	V, v	W, w	X, x	Y, y	Z, z
280	193	280	103	163	116			44	132	126	280	280	249	261		
(11.02)	(7.60)	(11.02)	(4.06)	(6.42)	(4.57)		-7	(1.73)	(5.20)	(4.96)	(11.02)	(11.02)	(9.90)	(10.28)		

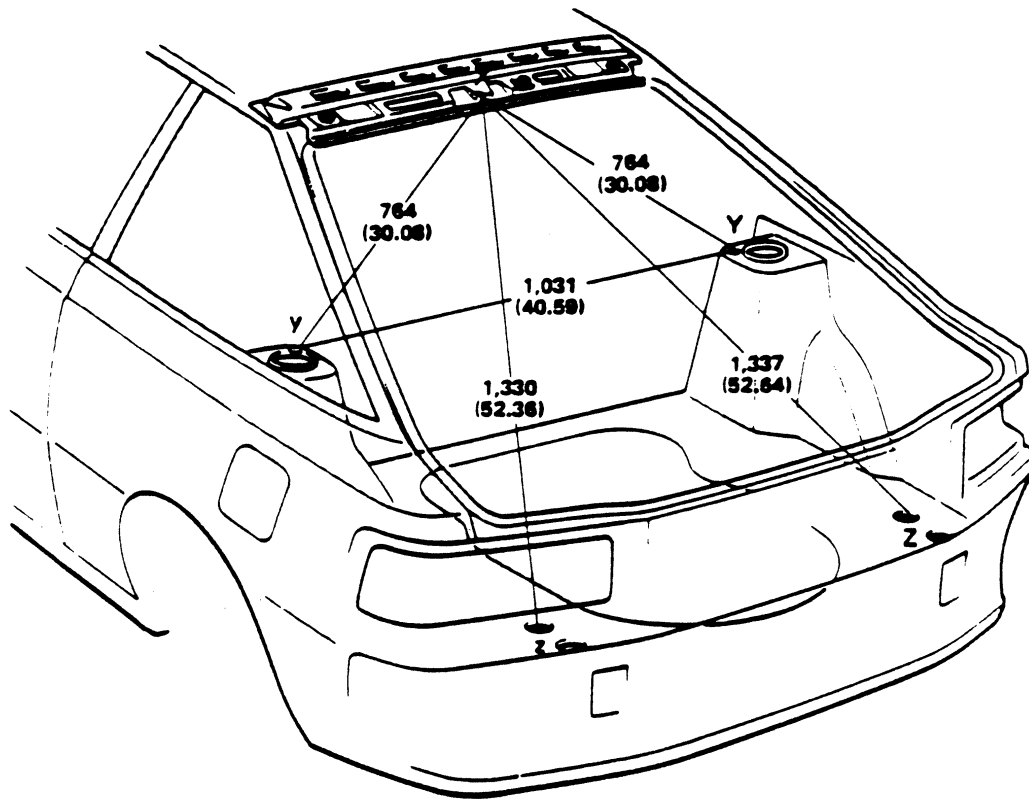
1986 CELICA—ENGINE COMPARTMENT



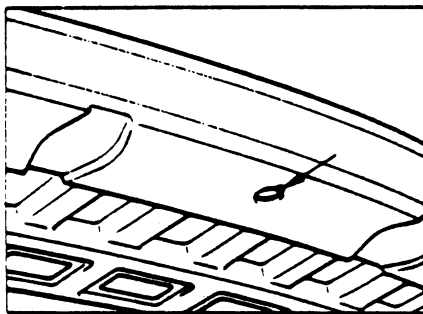
*1: 655 (25.79)
mm (in.)

Symbol	Nomenclature	Hole dia.
A, a	Front fender installation nut – front	6 (0.24)
B, b	Front spring support hole – inner	11 (0.43)
C, c	Front fender installation nut – rear	6 (0.24)
D	Cowl top panel center mark	-
E	Front side member standard hole (RH)	15 (0.59)
e	Front side member standard hole (LH)	15 (0.59)
F, f	Front side member working hole	15 (0.59)
G	Cooler pipe installation nut	6 (0.24)
g	Radiator support standard hole	9 (0.35)
H, h	Cooler condenser installation hole	10 (0.39)
I, i	Cowl top side panel standard hole	10 (0.39)

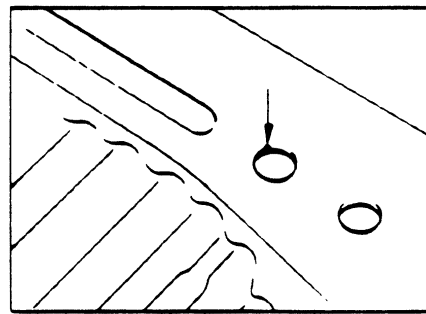
1986 CELICA (Hatchback)—LUGGAGE COMPARTMENT



X Point



Z, z Points

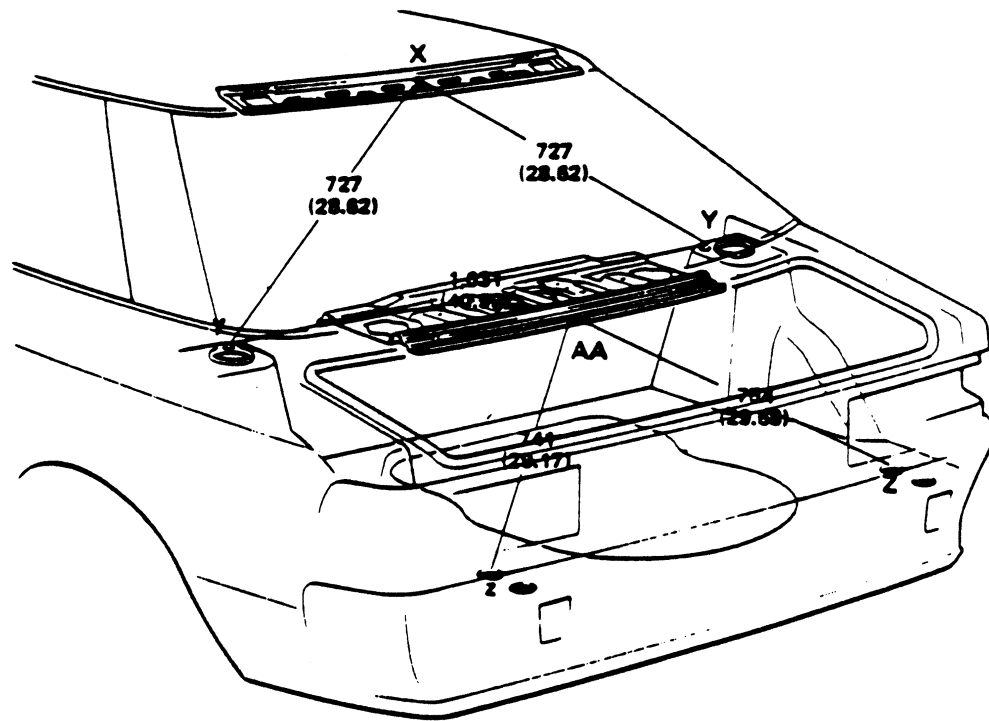


NOTE: The luggage compartment measurement is performed between the two dot marked points as shown in the above figure.

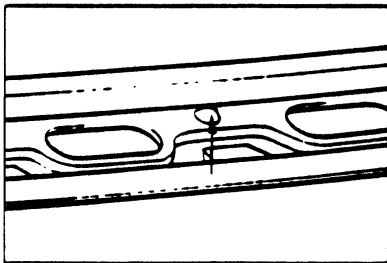
mm(in.)

Symbol	Nomenclature	Hole dia.
X	Back door opening frame standard hole	9 (0.35)
Y, y	Rear spring support hole – front	9.5 (0.374)
Z	Rear floor pan bumper installation hole – front (RH)	40 (1.57)
z	Rear floor pan bumper installation hole – front (LH)	40 (1.57)

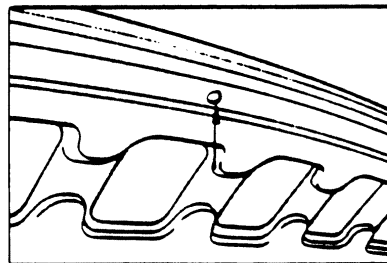
1986 CELICA (Coupe)—LUGGAGE COMPARTMENT



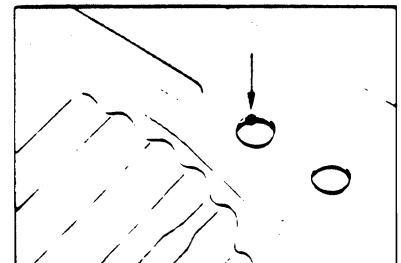
X Point



AA Point



Z,z Points



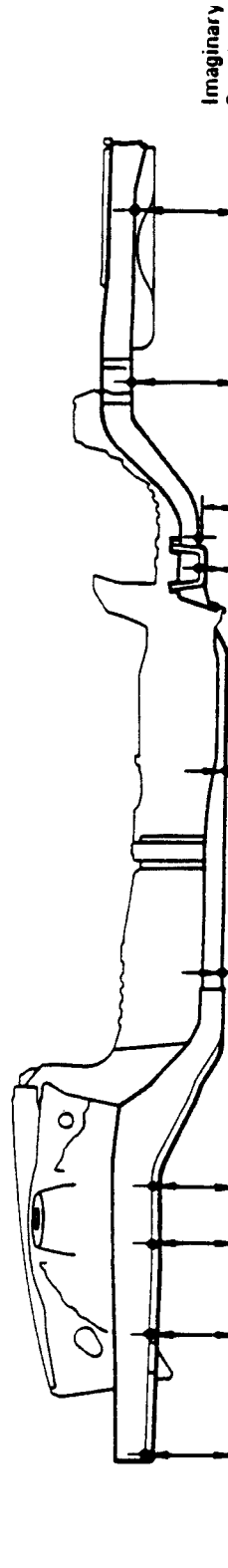
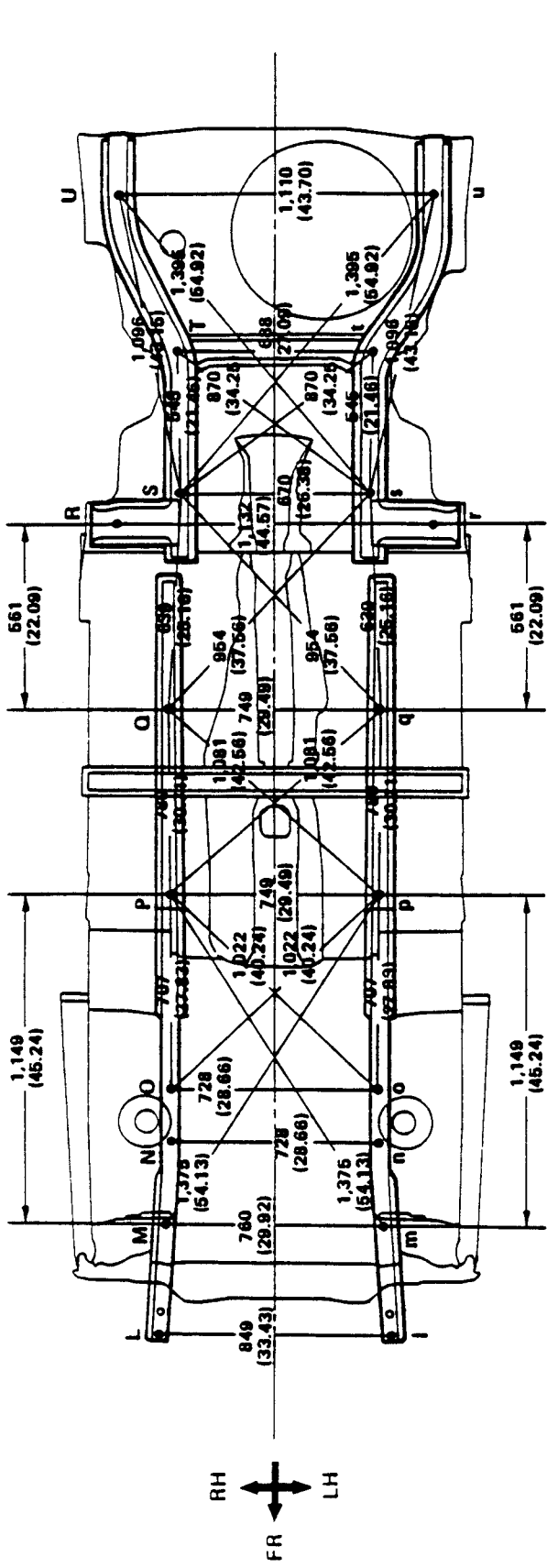
NOTE: The luggage compartment measurement is performed between the two dot marked points as shown in the above figure.

mm(in.)

Symbol	Nomenclature	Hole dia.
X	Back window upper frame center mark	-
Y,y	Rear spring support hole - front	9.5 (0.374)
AA	Upper back reinforcement center mark	-
Z	Rear floor pan bumper installation hole - front (RH)	40 (1.57)
z	Rear floor pan bumper installation hole - front (LH)	40 (1.57)

UNDERBODY

1986 1/2 SUPRA



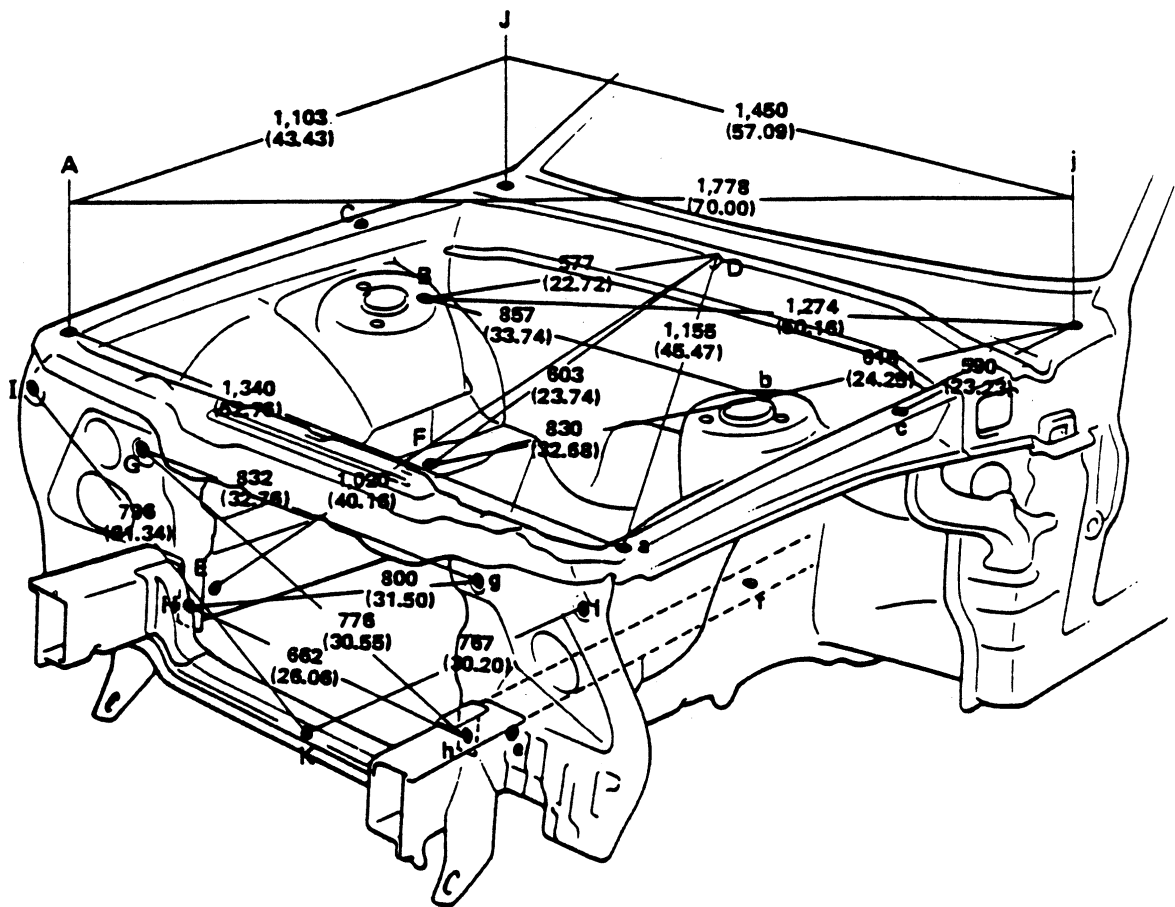
Imaginary Standard Line

Symbol	Nomenclature	Hole dia.	Symbol	Nomenclature	Hole dia.
L	Front side member bumper front installation hole-Lower	15 (0.59)	Q, q	Front floor No. 2 reinforcement standard hole	10 (0.39)
I	Front side member bumper front installation hole-Lower	17x15(0.67x0.59)	R, r	Suspension member front installation hole - outer	19 (0.75)
M, m	Stabilizer front installation nut	11 (0.43)	S, s	Center floor side member standard hole	18 (0.71)
N, n	Suspension member front installation hole - lower	17 (0.67)	T, t	Suspension member rear installation hole	25x18(0.96x0.71)
O, o	Suspension member rear installation hole - lower	17 (0.67)	U, u	Rear floor side member standard hole	18 (0.71)
P, p	Front floor under reinforcement standard hole	10 (0.39)	-	-	-

Symbol	Nomenclature	Hole dia.	Symbol	Nomenclature	Hole dia.
L, l	M, m	267 (10.12)	R, r	142 (5.59)	13.19
N, n	252 (9.92)	S, s	126 (4.96)	T, t	336
O, o	262 (9.92)	U, u	326	U, u	326
P, p	32 (1.26)	Q, q	29 (1.14)	T, t	336

Symbol	Nomenclature	Hole dia.	Symbol	Nomenclature	Hole dia.
L	Front side member bumper front installation hole-Lower	15 (0.59)	Q, q	Front floor No. 2 reinforcement standard hole	10 (0.39)
I	Front side member bumper front installation hole-Lower	17x15(0.67x0.59)	R, r	Suspension member front installation hole - outer	19 (0.75)
M, m	Stabilizer front installation nut	11 (0.43)	S, s	Center floor side member standard hole	18 (0.71)
N, n	Suspension member front installation hole - lower	17 (0.67)	T, t	Suspension member rear installation hole	25x18(0.96x0.71)
O, o	Suspension member rear installation hole - lower	17 (0.67)	U, u	Rear floor side member standard hole	18 (0.71)
P, p	Front floor under reinforcement standard hole	10 (0.39)	-	-	-

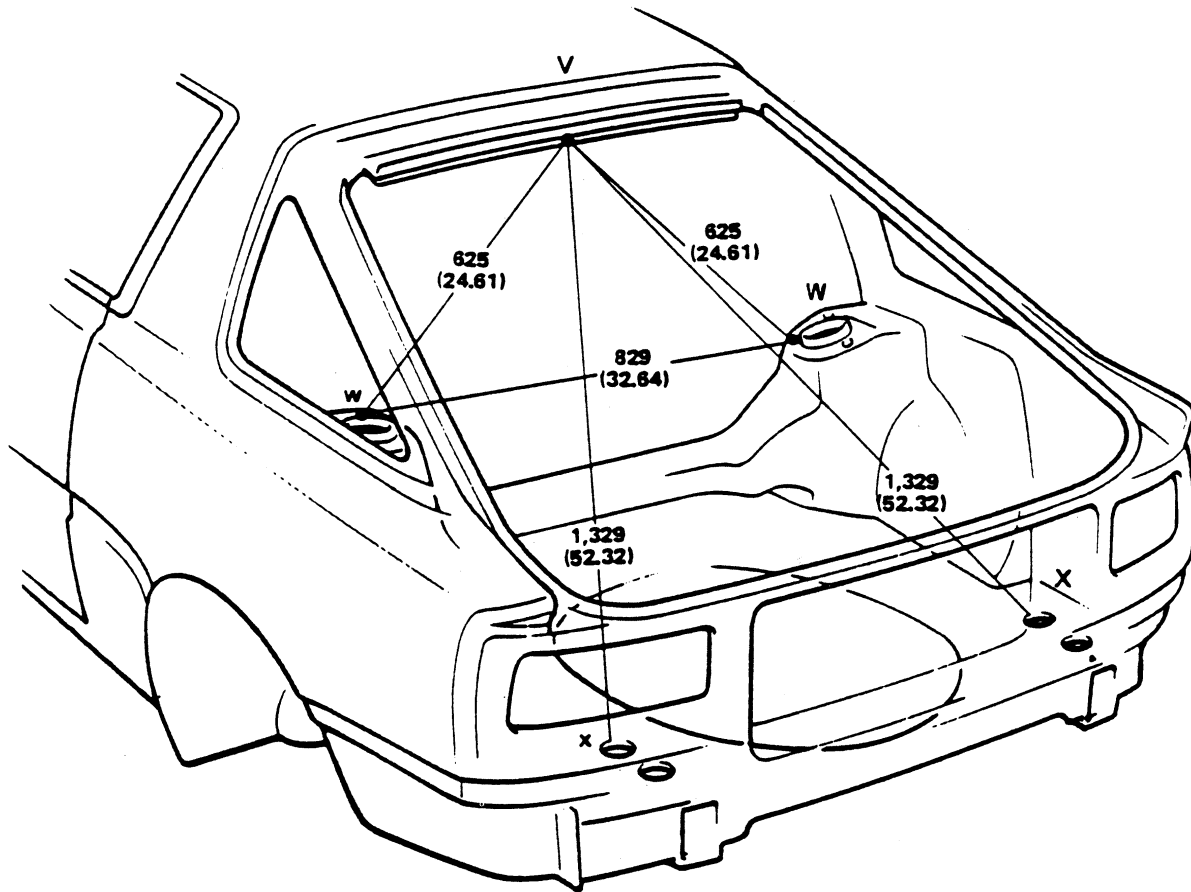
1986 1/2 SUPRA—ENGINE COMPARTMENT



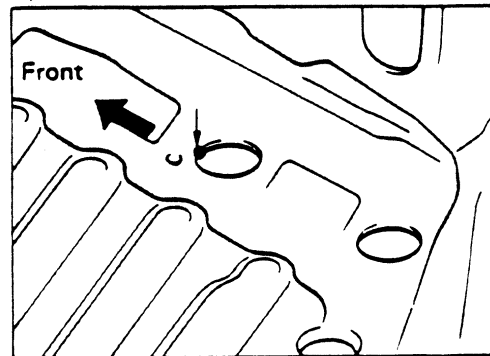
mm (in.)

Symbol	Nomenclature	Hole dia.
A, a	Front fender installation nut – front	8 (0.31)
B, b	Front spring support hole – rear	11 (0.43)
C, c	Front fender installation nut – rear	8 (0.31)
D	Cowl top panel center mark	–
E, e	Front side member standard hole	15 (0.59)
F, f	Suspension member rear installation hole – upper	17 (0.67)
G, g	Retractable light bracket installation nut – upper	11 (0.43)
H, h	Radiator seal installation hole – lower	7 (0.28)
I, i	Front fender side installation hole	8 (0.31)
J, j	Cowl top panel standard hole	10 (0.39)
K	Hood lock support brace installation nut	7 (0.28)

1986 1/2 SUPRA—LUGGAGE COMPARTMENT



X, x Point



mm (in.)

Symbol	Nomenclature	Hole dia.
V	Back door opening frame center mark	2 (0.08)
W, w	Rear suspension spring support hole – inner	9 (0.35)
X, x	Rear floor pan bumper installation hole – front	40 (1.57)